

# Closures & Bypass Doors - Accessories

[ TECHNICAL  
SHEET ]



## GearBoss® Sports Storage System

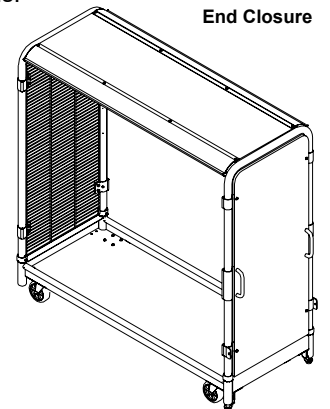
GearBoss is an equipment storage and transportation solution designed to transform your equipment room into a point of pride. GearBoss is a high-density storage solution that uses an innovative system of tracks and rolling carts and accessories to reduce the square footage of your storage area by at least half. GearBoss units are designed to encourage airflow and improve sanitation and odor issues. The modular system features accessories specific for the needs of bulky equipment like helmets and shoulder pads. Accessories like panels and doors can be added for security, and in matching school colors they present an unmistakable message of program pride. All closures and doors have a five-year warranty.

### Intended Use

- The GearBoss End Closures, Side Closures and Bypass Door Accessories are intended for indoor use in normal ambient temperature and humidity conditions-they must not be exposed to prolonged outside weather conditions.
- The GearBoss End Closures, Side Closures and Bypass Door Accessories are intended to be used by the customer to accessorize their GearBoss carts and to add levels of security and aesthetic finish.

### Solid End Closure Accessory

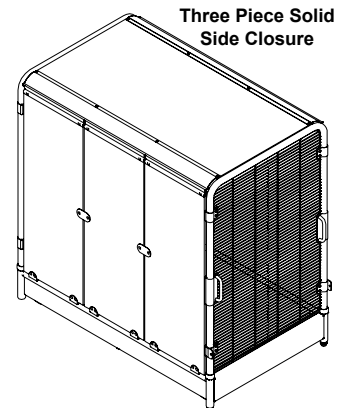
- Adds a level of security to carts
- Provides an excellent space for team logos
- Can be ordered in a variety laminate colors
- Made from solid 5/8" (16 mm) wood composite with polyester laminate finish and black heavy-duty PVC edge banding
- Shipped ready-to-assemble
- 240A063 Cart End Closure, 32" (813 mm)  
Dimensions: 27-1/4" x 64-5/16" (962 x 1634 mm) Approximate Weight: 25 lb (11.3 kg)
- 240A064 Cart End Closure, 48" (1219 mm)  
Dimensions: 43-1/4" x 64-5/16" (1099 x 1634 mm) Approximate Weight: 48 lb (21.8 kg)



End Closure

### Side Closure Accessory

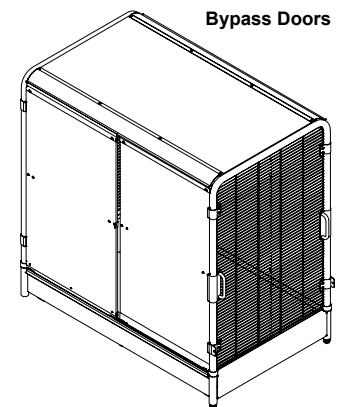
- Securely closes one side of cart opposite open side or opposite a bypass door adding a level of security to carts
- Can be ordered in a variety laminate colors
- Made from solid 5/8" (16 mm) wood composite with polyester laminate finish and black heavy-duty PVC edge banding
- Shipped ready-to-assemble
- Dimensions: 65" x 73" (1651 x 1854 mm)
- Approximate Weight: 75 lb (34 kg)
- 240A025 Cart Side Closure



Three Piece Solid  
Side Closure

### Bypass Door Accessory

- Easy glide aluminum track provides convenient access
- Lockable sliding doors for added security
- Can be ordered in a variety laminate colors
- Made from solid 5/8" (16 mm) wood composite with polyester laminate finish and black heavy-duty PVC edge banding
- Shipped ready-to-assemble
- Dimensions: 65" x 73" (1651 x 1854 mm)
- Approximate Weight: 86 lb (39 kg)
- 240A041 Bypass Door Accessory



Bypass Doors

Wenger®

JRCLANCY

GEARBOSS®



© 2019 Wenger Corporation  
USA/2019-11

#### MUSIC EDUCATION AND PERFORMING ARTS

Owatonna Office: Phone 800.4WENGER (493-6437) Worldwide +1.507.455.4100 | Parts & Service 800.887.7145 | wengercorp.com  
555 Park Drive, PO Box 448 | Owatonna | MN 55060-0448

Syracuse Office: Phone 800.836.1885 Worldwide +1.315.451.3440 | jrclancy.com | 7041 Interstate Island Road | Syracuse | NY 13209-9713

ATHLETICS Phone 800.493.6437 | email gearboss@wengercorp.com | gearboss.com | 555 Park Drive, PO Box 448 | Owatonna | MN 55060-0448