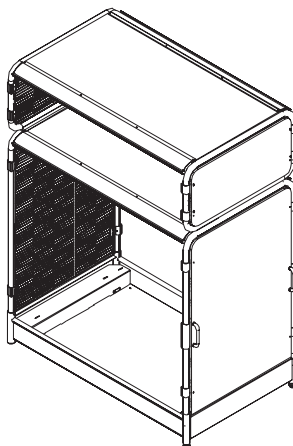




Owner's Manual High Density Sports Storage End Closure Accessory

- 32-inch Cart End Closure
- 48-inch Cart End Closure
- Tall Attic End Closure
- Short Attic End Closure



X-Cart with End Closure and Attic with End Closure

CONTENTS

Safety	2	Cart End Closure Installation	6
General	2	Before Starting the Cart End Closure Installation	6
Installation	2	Attach the Cart End Closure to the Front End Frame	6
Warranty	3	Attach the Cart End Closure to the Rear End Frame	9
Important User Information	3	Attic End Closure Installation	11
Installation	3	Before Starting the Attic End Closure Installation	11
Intended Use	3	Attach the Attic End Closure to the Attic End Frame	11
Required Tools	4	Replacement Parts	13
Parts List and Fasteners	4	Cart End Closure	13
Fasteners	4	Attic End Closure	14
Attic End Closure Parts List and Hardware List	5		
Cart End Closure Parts List and Hardware List	5		

Note: Please read and understand the High Density Sports Storage System End Closure Accessory Owner's Manual before attempting installation, assembly, or use.

Note: Remove all items from the shipping containers and sort the components by type, size, etc. Refer to the illustrations on the following pages. If you need additional information about your High Density Sports Storage End Closure Accessory, write, email, or telephone Wenger Corporation at the number or address below.

SAFETY

Throughout this manual you will find **Cautions** and **Warnings** which are defined as follows.

- **Warning** means that failure to follow the instruction may result in serious injury or death.
- **Caution** means that failure to follow the instruction may result in injury or damage to property.

Note: Read all of these safety instructions before using or installing the High Density Sports Storage System.

GENERAL

Warning! *Installation and use of the Wenger High Density Sports Storage System Accessories must always comply with the information in the section Important End User Information, Intended Use on page 3 of this manual. Failure to observe this warning can result in damage to property or serious injury.*

Warning! *People using the Wenger High Density Sports Storage System Accessories must always observe and comply with warnings and cautions posted on the System equipment. Failure to observe this warning can result in damage to property or serious injury.*

INSTALLATION

Warning! *Always wear safety glasses and safety shoes when assembling the Wenger High Density Sports Storage System Accessories. Failure to observe this warning can result in damage to property or serious injury.*

Warning! *Make sure that anyone who helps assemble the Wenger High Density Sports Storage System End Closure Accessory has read and understands this manual. Failure to observe this warning can result in damage to property or serious injury.*

Warning! *Never stand on a Cart when working on it. Failure to observe this warning can result in serious injury or damage to property.*

WARRANTY

The High Density Sports Storage System End Closure Accessory is guaranteed free of defects in materials and workmanship for five full years.

Our guarantee assures you of either a full refund or repair or replacement of the defective materials or workmanship without charge, at the discretion of our Customer Service Department. Just call a Customer Service Representative at 1-800-887-7145 and state the reason you are dissatisfied. If a product return is necessary, your representative will issue a return authorization. This is your sole remedy for breach of this warranty.

Should you have a question or problem with any Wenger product, don't hesitate to call, even if the product is past warranty. It's important to us that all our customers be satisfied.

This is the sole warranty made by Wenger. Wenger disclaims all other warranties, including the warranties of merchantability and fitness for a particular purpose, as well as all liability for incidental, consequential, special, and indirect damage. Wenger liability for direct damages shall be limited to the amount you paid for the product involved. Wenger reserves the right to make product changes without obligation to incorporate such changes into products previously sold.

Some states do not allow the exclusion or limitation of damages or warranties, so the above may not apply to you. This warranty gives you specific legal rights. You may also have other rights which vary from state to state.

IMPORTANT USER INFORMATION

INSTALLATION

- The Wenger High Density Sports Storage System End Closure Accessory installation must comply with local building regulations and codes.
- All personnel (including all temporary workers) installing the Wenger High Density Sports Storage System End Closure Accessory must read and understand this entire manual.
- Personnel installing the Wenger High Density Sports Storage System End Closure Accessory must comply with the warnings and cautions in the Safety Section.

INTENDED USE

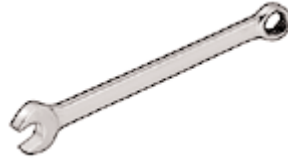
- The Wenger High Density Sports Storage System End Closure Accessory is intended for indoor use in normal ambient temperature and humidity conditions — it must not be exposed to prolonged outside weather conditions.
- The Wenger High Density Sports Storage System End Closure Accessory is intended to be permanently installed only as described in this manual.

REQUIRED TOOLS

High Density Sports Storage Accessory installation requires the installer to supply the tools shown below.



Cordless Drill

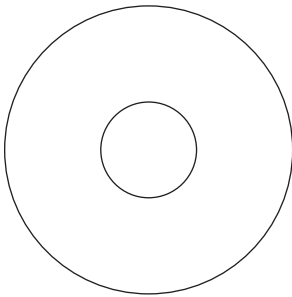


9/16-inch Combination Wrench

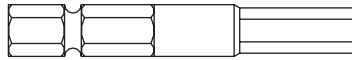
PARTS LIST AND FASTENERS

FASTENERS

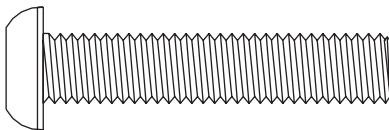
The full scale fasteners shown below are contained in the Hardware Pack. Any fasteners remaining when an Accessory installation is complete should be discarded.



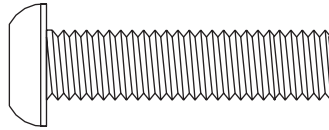
Washer, Self-adhesive, 1/2-inch



Hex Insert Bit, 7/32-inch



Screw, Button Head, 3/8-16x1-3/4-inch



Screw, Button Head,
3/8-16x1-1/2-inch



Dome Plug

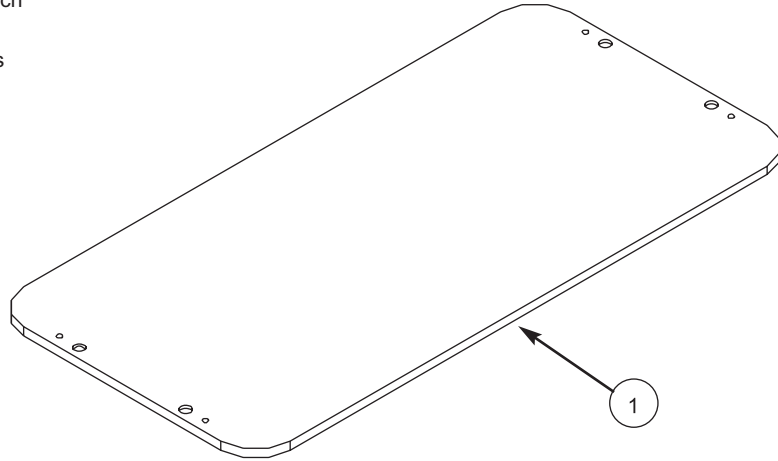
PARTS LIST AND FASTENERS CONTINUED

ATTIC END CLOSURE PARTS LIST AND HARDWARE LIST

<u>Item</u>	<u>Qty</u>	<u>Description</u>
1	1	Attic End Closure
2	4	Screw, Button Head, 3/8-16x1-1/2-inch**
3	4	Washer, Self-adhesive, 1/2-inch**
4	1	Hex Insert Bit, 7/32-inch**

** Not shown, refer to Fasteners

Note: Parts list is for the parts contained in the Tall and Short Attic End Closure Carton.

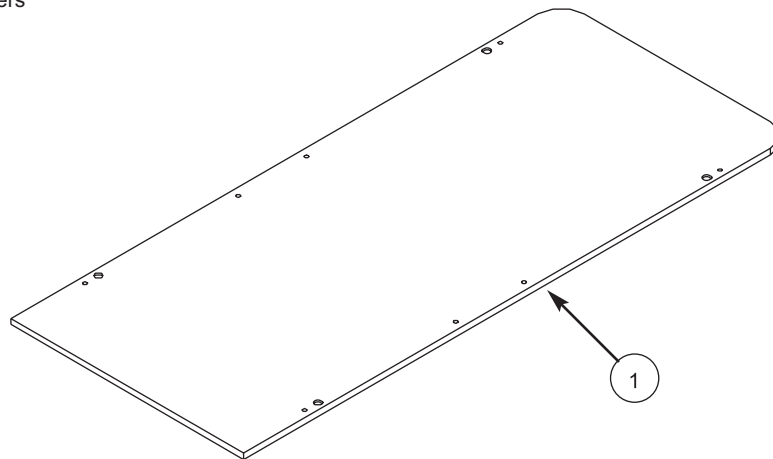


CART END CLOSURE PARTS LIST AND HARDWARE LIST

<u>Item</u>	<u>Qty</u>	<u>Description</u>
1	1	Cart End Closure
2	4	Screw, Button Head, 3/8-16x1-1/2-inch**
3	4	Screw, Button Head, 3/8-16x1-3/4-inch**
4	4	Dome Plug**
5	8	Washer, Self-adhesive, 1/2-inch**
6	1	Hex Insert Bit, 7/32-inch**

** Not shown, refer to Fasteners

Note: Parts list is for the parts and the Hardware Pack contained in the Cart End Closure (32-inch or 48-inch) Carton.



CART END CLOSURE INSTALLATION

The following Installation Instructions are the same for the 32-inch and 48-inch Cart End Closure installation.

BEFORE STARTING THE CART END CLOSURE INSTALLATION

Warning: *Personal injury or damage to property can happen if the instructions in this manual are not followed.*

Warning: *Always wear safety glasses and safety shoes when installing the High Density Sports Storage System. Failure to observe this precaution can result in serious injury.*

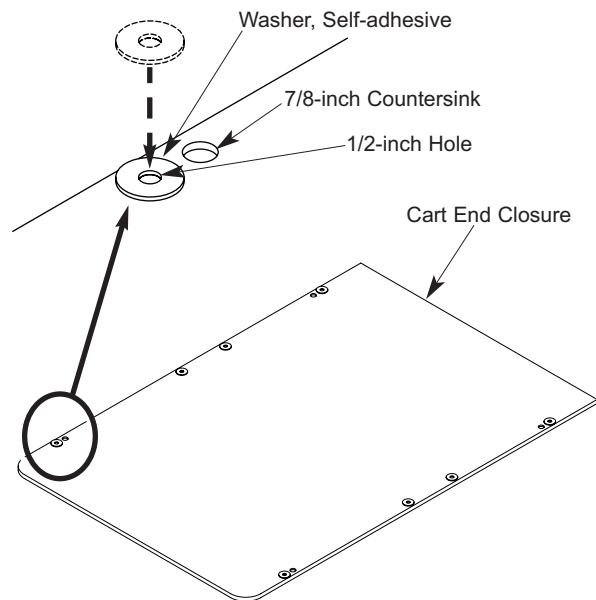
Warning! *Never stand on a Cart when working on it. Failure to observe this warning can result in serious injury or damage to property.*

Note: Not all hardware items packed in the carton may be needed. When the assembly is complete, discard any hardware items not used.

1. Move the Cart End Closure Carton to the work area.
2. Open the Carton and inventory the contents. Make sure that all of the required items listed on page 5 are present including the Hardware items. Discard the packing materials and corrugated carton.

ATTACH THE CART END CLOSURE TO THE FRONT END FRAME

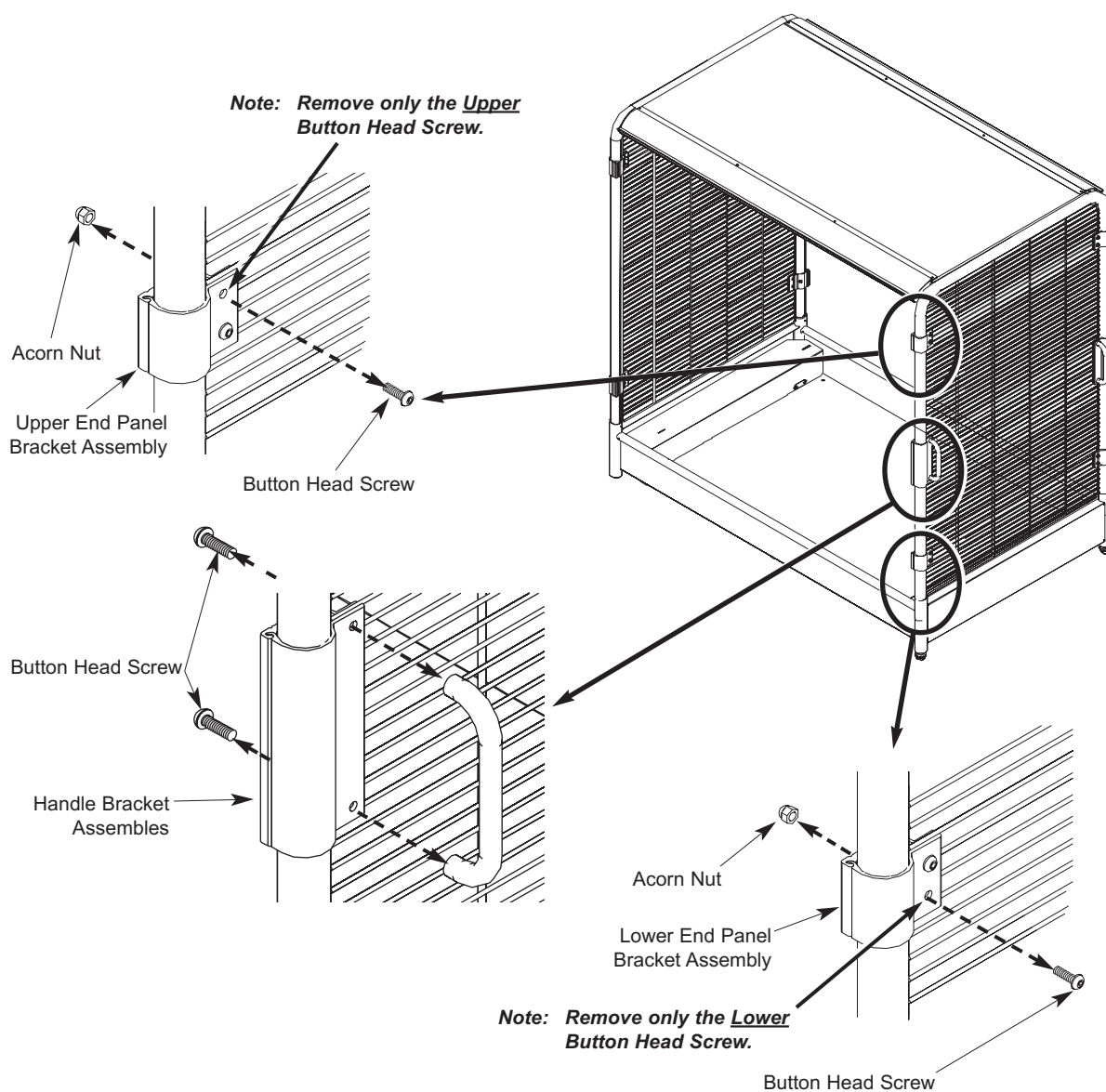
1. Place the Cart End Closure onto the work surface with the 7/8-inch diameter countersink holes facing upward.
2. Attach the eight Washers to the Cart End Closure.
 - a. Remove the protective liner from the pressure sensitive adhesive.
 - b. Press the Washer surface with the pressure sensitive adhesive against the Cart End Closure surface centering each Washer with the 1/2-inch diameter through hole.



CART END CLOSURE INSTALLATION CONTINUED

ATTACH THE CART END CLOSURE TO THE FRONT END FRAME CONTINUED

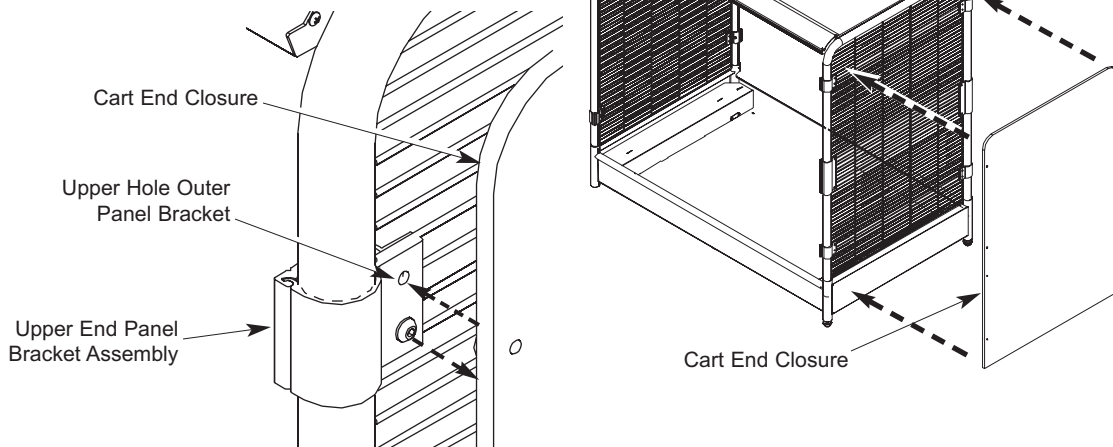
3. Using a cordless drill and a 7/32-inch hex bit insert with a 9/16-inch combination wrench, remove the **Upper** Button Head Screw and Acorn Nut from each of the two **Upper** Front End Panel Brackets on the Front End Frame. Save the Acorn Nuts and discard the Button Head Screws.
4. Remove the four Button Head Screws from the two Handle Brackets. Set the two Handles aside and discard the Button Head Screws.
5. Remove the **Lower** Button Head Screw and Acorn Nut from each of the two **Lower** Front End Panel Brackets on the Front End Frame. Save the Acorn Nuts and discard the Button Head Screws.



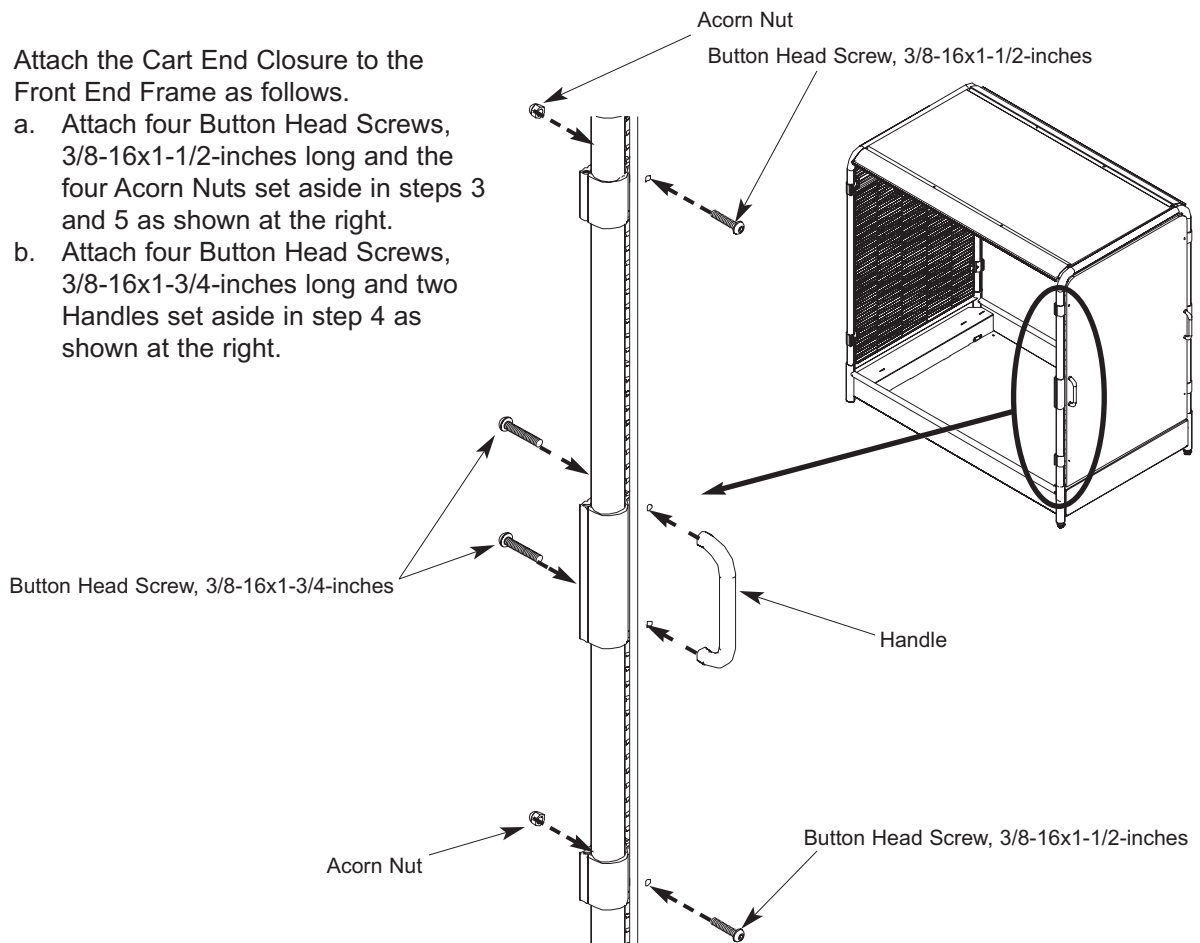
CART END CLOSURE INSTALLATION CONTINUED

ATTACH THE CART END CLOSURE TO THE FRONT END FRAME CONTINUED

6. Hold the Cart End Closure against the Outer Panel Brackets.
 - a. Make sure that the Washers applied in step 2 face the Front End Frame.
 - b. Align the Holes in the Cart End Closure to the Holes in the Outer Brackets.



7. Attach the Cart End Closure to the Front End Frame as follows.
 - a. Attach four Button Head Screws, 3/8-16x1-1/2-inches long and the four Acorn Nuts set aside in steps 3 and 5 as shown at the right.
 - b. Attach four Button Head Screws, 3/8-16x1-3/4-inches long and two Handles set aside in step 4 as shown at the right.

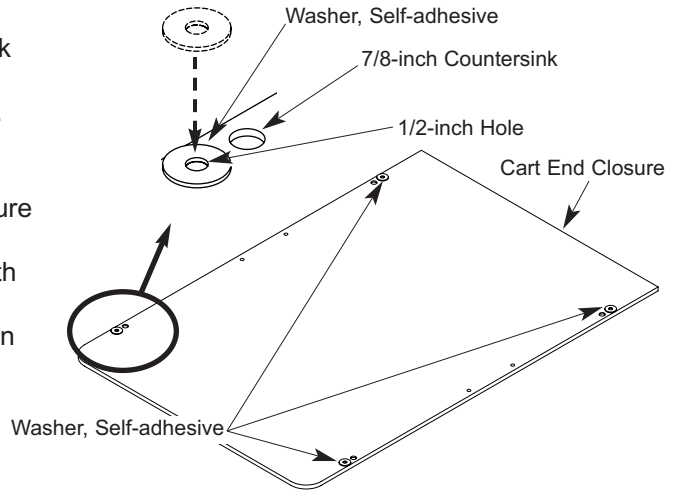


CART END CLOSURE INSTALLATION CONTINUED

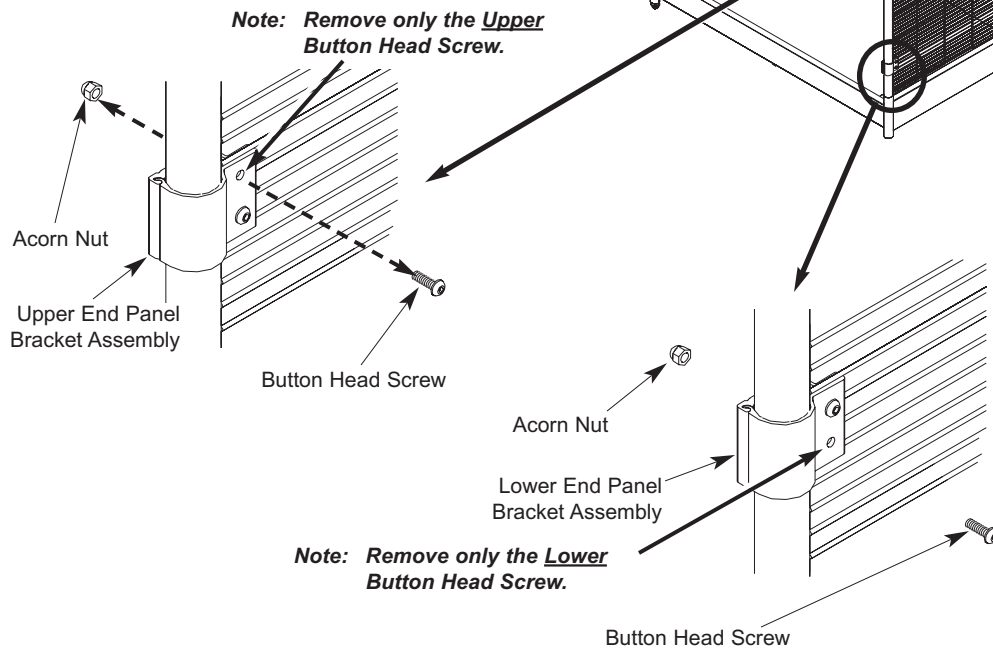
ATTACH THE CART END CLOSURE TO THE REAR END FRAME

1. Place the Cart End Closure onto the work surface with the 7/8-inch diameter countersink holes facing upward.
2. Attach four Washers to the Cart End Closure.
 - a. Remove the protective liner from the pressure sensitive adhesive.
 - b. Press the Washer surface with the pressure sensitive adhesive against the Cart End Closure surface centering the Washer with the two top and two bottom 1/2-inch diameter holes in the End Panel as shown on the right.

Note: Do not place Washers onto the middle four holes.



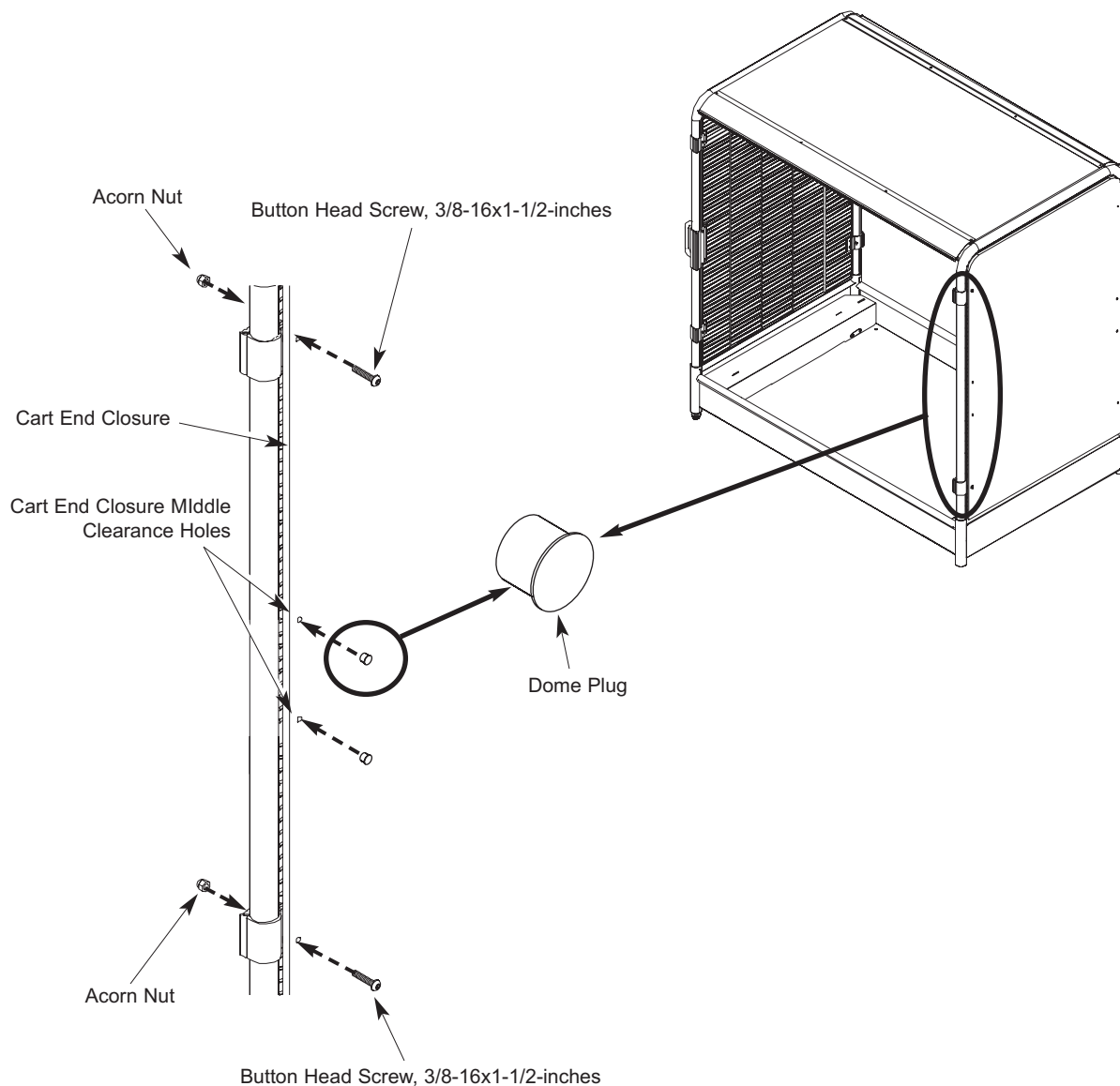
3. Using a cordless drill and a 7/32-inch hex bit insert with a 9/16-inch combination wrench, remove the **Upper** Button Head Screw and Acorn Nut from each of the two **Upper** Front End Panel Brackets on the Front End Frame. Save the Acorn Nuts and discard the Button Head Screws.
4. Remove the **Lower** Button Head Screw and Acorn Nut from each of the two **Lower** Front End Panel Brackets on the Front End Frame. Save the Acorn Nuts and discard the Button Head Screws.



CART END CLOSURE INSTALLATION CONTINUED

ATTACH THE CART END CLOSURE TO THE REAR END FRAME CONTINUED

5. Place the Cart End Closure against the Rear Frame Outer Panel Brackets.
 - a. Make sure that the Washers applied in step 2 face the Rear End Frame.
 - b. Align the Holes in the Cart End Closure to the Holes in the Outer Brackets.
6. Attach the Cart End Closure to the Rear End Frame as follows.
 - a. Using a cordless drill and a 7/32-inch hex bit insert with a 9/16-inch combination wrench, attach four Button Head Screws, 3/8-16x1-1/2-inches long and the four Acorn Nuts (set aside in steps 3 and 4) as shown at the right.
 - b. Press four Dome Plugs into the four Cart End Closure Middle Clearance Holes as shown below.



ATTIC END CLOSURE INSTALLATION

The following Installation Instructions are the same for the Tall or Short Attic End Closure Accessory assembled to a 48-inch wide X-Cart.

BEFORE STARTING THE ATTIC END CLOSURE INSTALLATION

Warning: *Personal injury or damage to property can happen if the instructions in this manual are not followed.*

Warning: *Always wear safety glasses and safety shoes when installing the High Density Sports Storage System. Failure to observe this precaution can result in serious injury.*

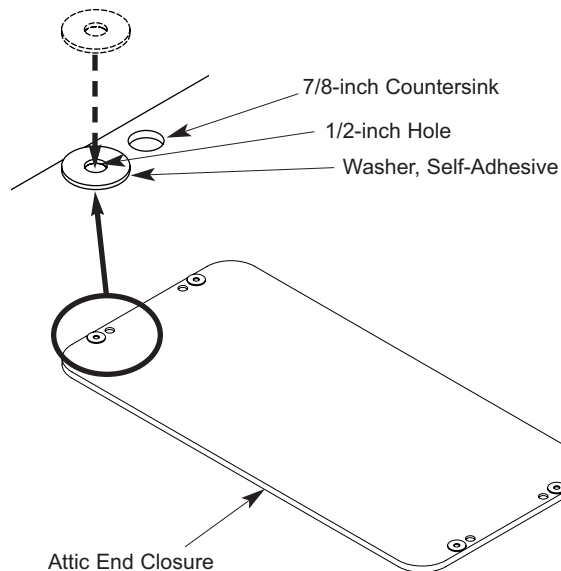
Warning! *Never stand on a Cart when working on it. Failure to observe this warning can result in serious injury or damage to property.*

Note: Not all hardware items packed in the carton may be needed. When the assembly is complete, discard any hardware items not used.

1. Move the Attic End Closure Carton to the work area.
2. Open the Carton and inventory the contents. Make sure that all of the required items listed on page 5 are present including the Hardware items. Discard the packing materials and corrugated carton.

ATTACH THE ATTIC END CLOSURE TO THE ATTIC END FRAME

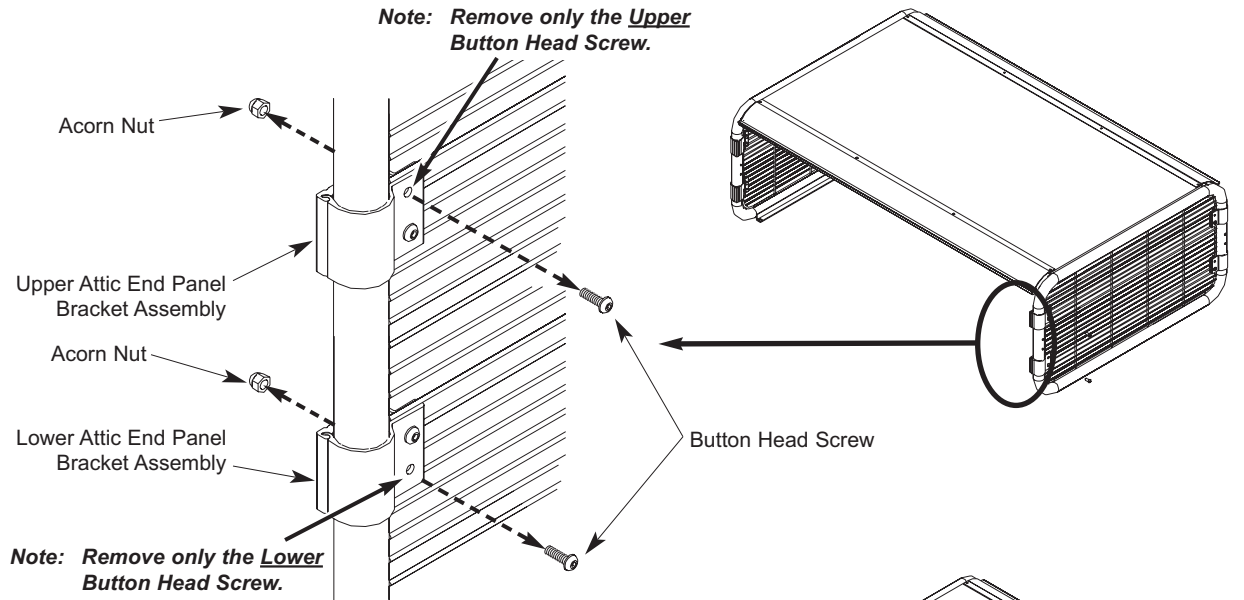
1. Place the Attic End Closure onto the work surface with the 7/8-inch diameter countersink holes facing upward.
2. Attach four Washers to the Attic End Closure.
 - a. Remove the protective liner from the pressure sensitive adhesive on the Washer.
 - b. Press the Washer surface with the pressure sensitive adhesive against the Attic End Closure surface centering the Washer inside diameter with the 1/2-inch diameter hole.



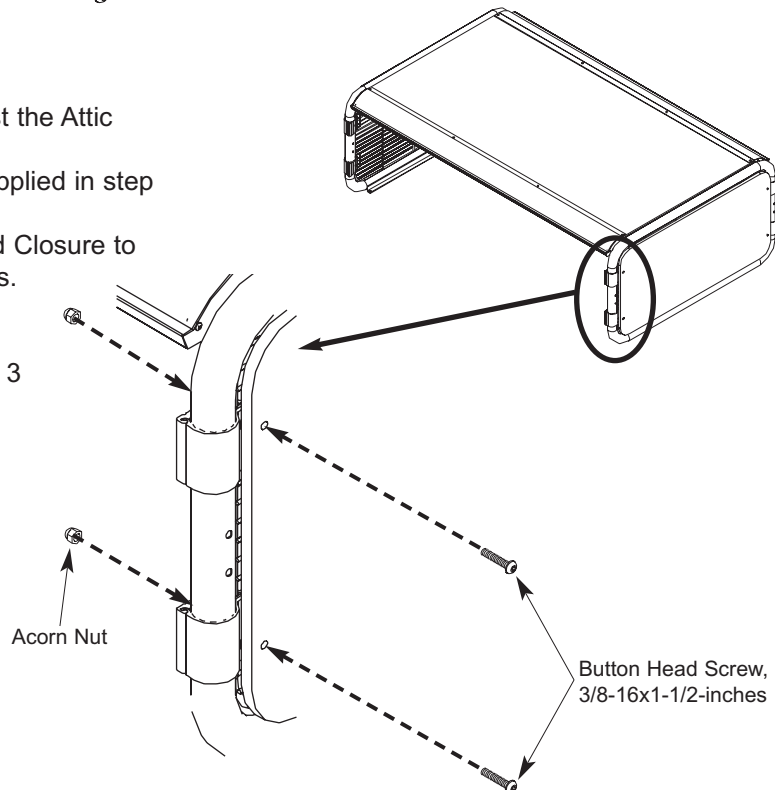
ATTIC END CLOSURE INSTALLATION CONTINUED

ATTACH THE ATTIC END CLOSURE TO THE ATTIC END FRAME CONTINUED

- Using a cordless drill and a 7/32-inch hex bit insert with a 9/16-inch combination wrench, remove the **Upper** Button Head Screw and Acorn Nut from each of the two Attic **Upper** Front End Panel Brackets on the Attic End Frame. Save the Acorn Nuts and discard the Button Head Screws.
- Remove the **Lower** Button Head Screw and Acorn Nut from each of the two Attic **Lower** Front End Panel Brackets on the Attic End Frame. Save the Acorn Nuts and discard the Button Head Screws.

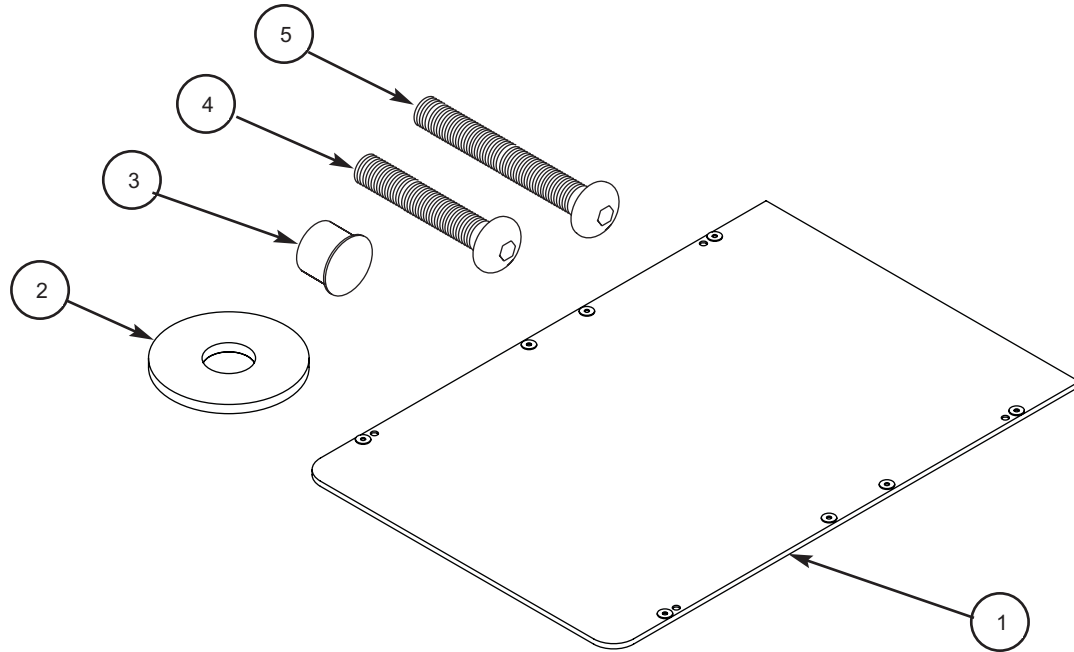


- Place the Attic End Closure against the Attic End Frame Outer Panel Brackets.
 - Make sure that the Washers applied in step 2 face the Rear End Frame.
 - Align the Holes in the Attic End Closure to the Holes in the Outer Brackets.
- Attach four Button Head Screws, 3/8-16x1-1/2-inches long and the four Acorn Nuts (set aside in steps 3 and 4) as shown at the right.



REPLACEMENT PARTS

CART END CLOSURE

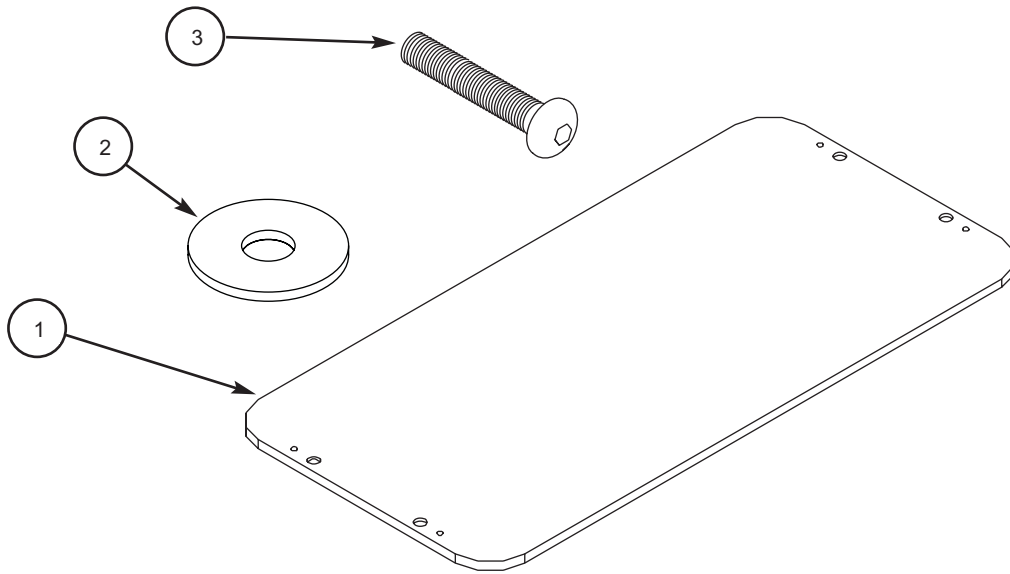


Note: When ordering, specify whether 32-inch or 48-inch End Closure

Item	Description
1	Cart End Closure
2	Washer, Self-adhesive, 1/2-inch
3	Dome Plug
4	Button Head Screw, 3/8-16x1-1/2-inch
5	Button Head Screw, 3/8-16x1-3/4-inch

REPLACEMENT PARTS CONTINUED

ATTIC END CLOSURE



Note: When ordering, specify whether a Tall or Short Attic End Closure

Item	Description
1	Attic End Closure
2	Washer, Self-adhesive, 1/2-inch
3	Button Head Screw, 3/8-16x1-1/2-inch