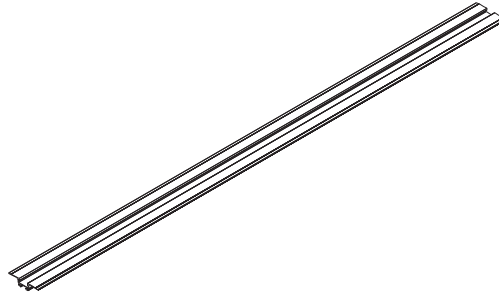




Your Performance Partner

Owner's Manual High Density Sports Storage Flush Track Accessory



Flush Track

CONTENTS

Safety	2
General	2
Installation	2
Warranty	3
Important User Information	3
Installation	3
Intended Use	3
Required Tools	4
Parts List and Fasteners	4
Fasteners	4
Flush Track Parts List and Hardware List	4
Flush Track Installation	5
Making and Placing the Reveal Strip	5
Before Installing the Flush Track	7
Assemble the Full Length Flush Track	7
Add Grout to the Floor Recess	10
Place the Flush Track into the Floor Recess	10
Replacement Parts	11
Flush Track	11

Note: Please read and understand the High Density Sports Storage Flush Track Accessory Owner's Manual before attempting installation or use.

Note: Remove all items from the shipping containers and sort the components by type, size, etc. Refer to the illustrations on the following pages. If you need additional information about your High Density Sports Storage Flush Track Accessory, write, email, or telephone Wenger Corporation at the number or address below.

Note: The High Density Sports Storage Flush Track Accessory requires two or more people for installation steps.

SAFETY

Throughout this manual you will find **Cautions** and **Warnings** which are defined as follows.

- **Warning** means that failure to follow the instruction may result in serious injury or death.
- **Caution** means that failure to follow the instruction may result in injury or damage to property.

Note: Read all of these safety instructions before using or installing the High Density Sports Storage System and Accessories.

GENERAL

Warning! *Installation and use of the Wenger High Density Sports Storage System Accessories must always comply with the information in the section Important User Information on page 3 of this manual. Failure to observe this warning can result in damage to property or serious injury.*

Warning! *People using the Wenger High Density Sports Storage System Accessories must always observe and comply with warnings and cautions posted on the System equipment. Failure to observe this warning can result in damage to property or serious injury.*

INSTALLATION

Warning! *Always wear safety glasses and safety shoes when assembling the Wenger High Density Sports Storage System Accessories. Failure to observe this warning can result in serious injury.*

Warning! *Make sure that anyone who helps assemble the Wenger High Density Sports Storage Flush Track Accessory has read and understands this manual. Failure to observe this warning can result in a system not working correctly.*

Warning! *Some assembly steps require that two or more persons work together.*

Warning! *Installing the Wenger High Density Sports Storage Flush Track Accessory on floor surfaces that are not level or that have rough and uneven areas can result in a system not performing correctly. Failure to observe this caution can result in Carts not remaining in place, not being stable, and possibly not being safe when moving on the Track.*

WARRANTY

The High Density Sports Storage Flush Track Accessory is guaranteed free of defects in materials and workmanship for three full years.

Our guarantee assures you of either a full refund or repair or replacement of the defective materials or workmanship without charge, at the discretion of our Customer Service Department. Just call a Customer Service Representative at 1-800-887-7145 and state the reason you are dissatisfied. If a product return is necessary, your representative will issue a return authorization. This is your sole remedy for breach of this warranty.

Should you have a question or problem with any Wenger product, don't hesitate to call, even if the product is past warranty. It's important to us that all our customers be satisfied.

This is the sole warranty made by Wenger. Wenger disclaims all other warranties, including the warranties of merchantability and fitness for a particular purpose, as well as all liability for incidental, consequential, special, and indirect damage. Wenger liability for direct damages shall be limited to the amount you paid for the product involved. Wenger reserves the right to make product changes without obligation to incorporate such changes into products previously sold.

Some states do not allow the exclusion or limitation of damages or warranties, so the above may not apply to you. This warranty gives you specific legal rights. You may also have other rights which vary from state to state.

IMPORTANT USER INFORMATION

INSTALLATION

- The Wenger High Density Sports Storage Flush Track Accessory installation must comply with local building regulations and codes.
- All personnel (including all temporary workers) installing the Wenger High Density Sports Storage Flush Track Accessory must read and understand this entire manual.
- Personnel installing the Wenger High Density Sports Storage Flush Track Accessory must comply with the warnings and cautions in the Safety Section.

INTENDED USE

- The Wenger High Density Sports Storage Flush Track Accessory is intended for indoor use in normal ambient temperature and humidity conditions.
- The Wenger High Density Sports Storage Flush Track Accessory is intended to be permanently installed only as described in this manual.
- The Wenger High Density Sports Storage Flush Track is intended to be permanently installed in a freshly poured concrete floor (new construction) with a recess for the Flush Track as described in this manual.

REQUIRED TOOLS

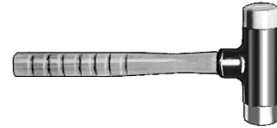
The High Density Sports Storage Flush Track Accessory installation requires the installer to supply the tools shown below.



Cordless Drill



Phillips Drive Bit

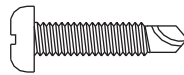


Mallet

PARTS LIST AND FASTENERS

FASTENERS

The full scale fastener shown below is contained in the Hardware Pack. Any fasteners remaining when an Accessory installation is complete should be discarded.



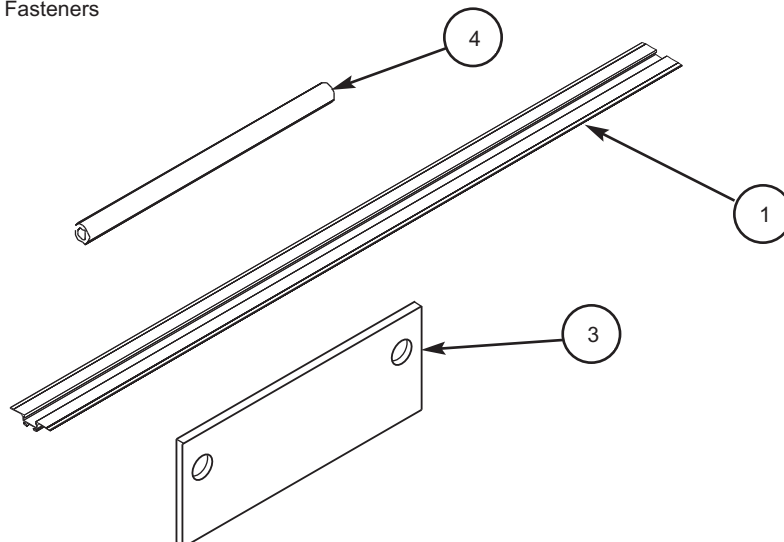
(2) Self-drill Screw, 8-18x3/4-inch

FLUSH TRACK PARTS LIST AND HARDWARE LIST

<u>Item</u>	<u>Qty</u>	<u>Description</u>
1	1	Flush Track
2	2	Self-drill Screw, 8-18x3/4-inch**
3	1	Flush Track Plate
4	2	Spring Pin, 1/8-inch x 2-inches long

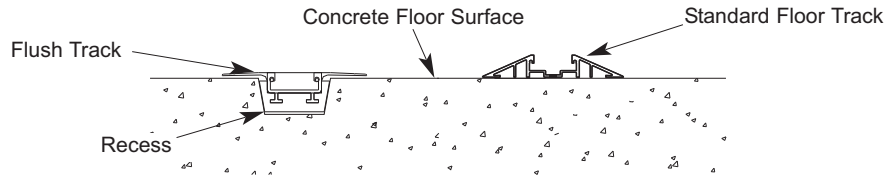
** Not shown, refer to Fasteners

Note: Parts list is for the parts and the Hardware Pack contained in the Flush Track Carton.



FLUSH TRACK INSTALLATION

The following paragraphs are intended to describe for architects and contractors how to install the Wenger High Density Sports Storage Flush Track Accessory in new construction. The Flush Track Accessory requires a Recess in a newly poured concrete floor. The Flush Track has a lower profile than the standard Floor Track.



Profile of Flush Track and Standard Floor Track

To determine the location for the track, refer to the Wenger Corporation *High Density Sport Storage Owner's Manual*, page 10, *Layout the Space* (Wenger Document Number 240A099). A copy of this manual can be obtained by calling Wenger Customer Service at 1-800-887-7145.

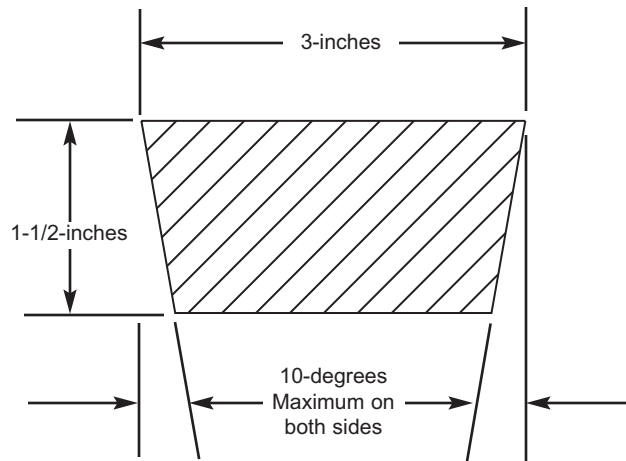
Note: If the Flush Track is to be parallel to a wall, the center of the Flush Track must be a minimum of 78" from the wall. This will allow 1" of clearance between the GearBoss carts and the wall. The 78" dimension may be increased if:

- more clearance to the wall is needed for a thermostat, electrical conduit, window frames, etc.
- if the wall position may vary due to construction tolerances, or
- more clearance is desired between the wall and the GearBoss carts for shelves, hooks, etc.

Note: Make sure that there are no obstructions within the perimeter of the High Density Sports Storage System that are lower than the top of any cart assembly and that might interfere with the lateral movement of any carts on the track. If movement will be impaired, the Flush Track placement must be adjusted.

MAKING AND PLACING THE REVEAL STRIP

Before pouring a new concrete floor, a Reveal Strip (or Form) must be manufactured from a fir, spruce, or pine 2x4 board. The profile dimensions for the Form are shown below.



Reveal Strip Profile

Note: Always use the straightest 2x4 boards that are available.

The total length of the Reveal Strips must be at least one-inch longer than the total length of the Flush Track Assembly. Flush Tracks are furnished in eight-foot lengths. Refer to pages 7 to 9 for additional information regarding connecting Flush Tracks together and cutting Flush Tracks to shorter lengths.

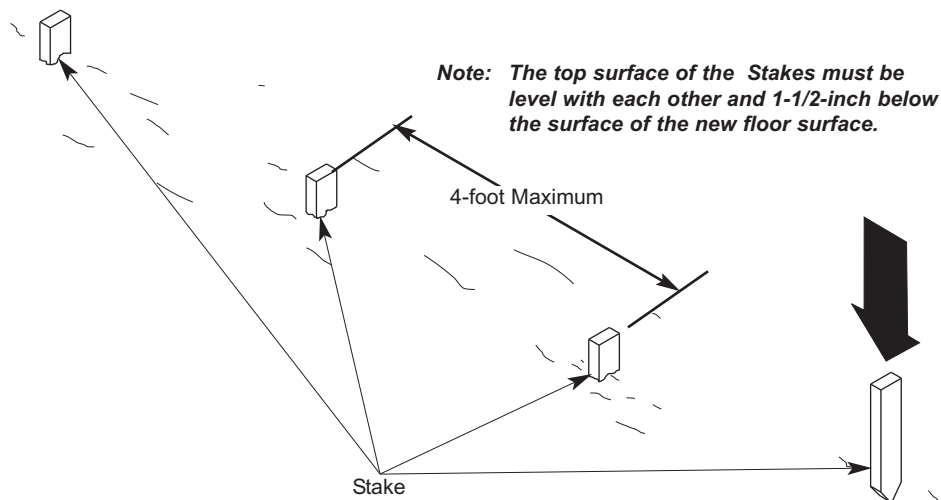
FLUSH TRACK INSTALLATION CONTINUED

MAKING AND PLACING THE REVEAL STRIP CONTINUED

Place the Reveal Strip as follows.

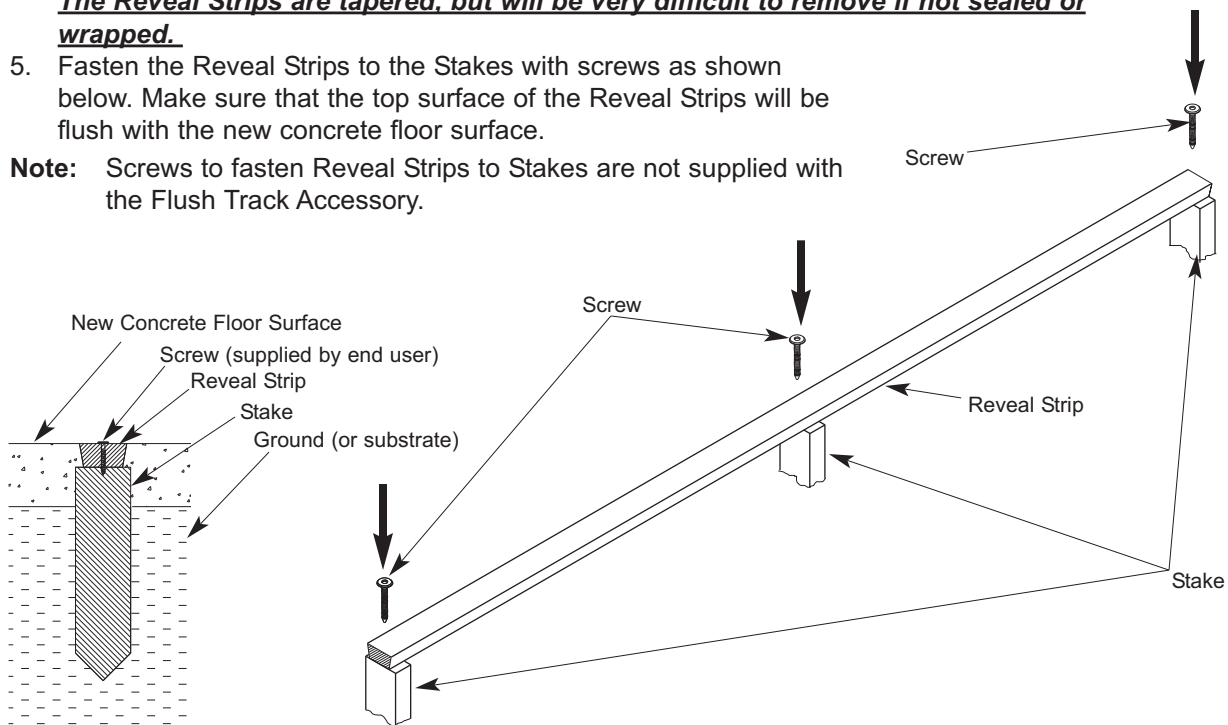
1. Determine the following.
 - a. The centerline of the Flush Track location
 - b. The height of the new floor surface
2. Cut Stakes from a 2x4 board.
3. Using a mallet or maul, drive the Stakes into the ground so that all of the Stakes are level with each other and are 1-1/2-inches below the new floor surface. Refer to the illustration below.

Note: Supporting Stakes should be spaced no more than four-feet apart.



4. Apply a release agent to the Reveal Strips or wrap each Reveal Strip with plastic sheeting. **The Reveal Strips are tapered, but will be very difficult to remove if not sealed or wrapped.**
5. Fasten the Reveal Strips to the Stakes with screws as shown below. Make sure that the top surface of the Reveal Strips will be flush with the new concrete floor surface.

Note: Screws to fasten Reveal Strips to Stakes are not supplied with the Flush Track Accessory.



FLUSH TRACK INSTALLATION CONTINUED

MAKING AND PLACING THE REVEAL STRIP CONTINUED

6. Pour the new concrete floor. Make sure that the New Floor surface is flush with the top surface of the Reveal Strip.
7. Remove the Reveal Strip from the new concrete slab within a day or two.
 - a. Remove the screws that attach the Reveal Strip to the Stakes.
 - b. Attach a lag screw at one end of the Reveal Strip and pry up the Reveal Strip carefully.
 - c. Repair any areas of the concrete floor that chip-out and extend beyond the flanges of the Flush Track after removing the Reveal Strip.

Note: It is important to not apply sealer to the recess left by the reveal strip. A sealer may interfere with the adhesion of the grout.

BEFORE INSTALLING THE FLUSH TRACK

Warning: *Personal injury or damage to property can happen if the instructions in this manual are not followed.*

Warning: *Always wear safety glasses and safety shoes when installing the High Density Sports Storage Flush Track. Failure to observe this precaution can result in serious injury.*

Note: Not all hardware items packed in the carton may be needed. When the assembly is complete, discard any hardware items not used.

1. Move the Flush Track Carton to the work area.
2. Open the Carton and inventory the contents. Make sure that all of the required items listed on page 4 are present including the Hardware items. Discard the packing materials and corrugated carton.

ASSEMBLE THE FULL LENGTH FLUSH TRACK

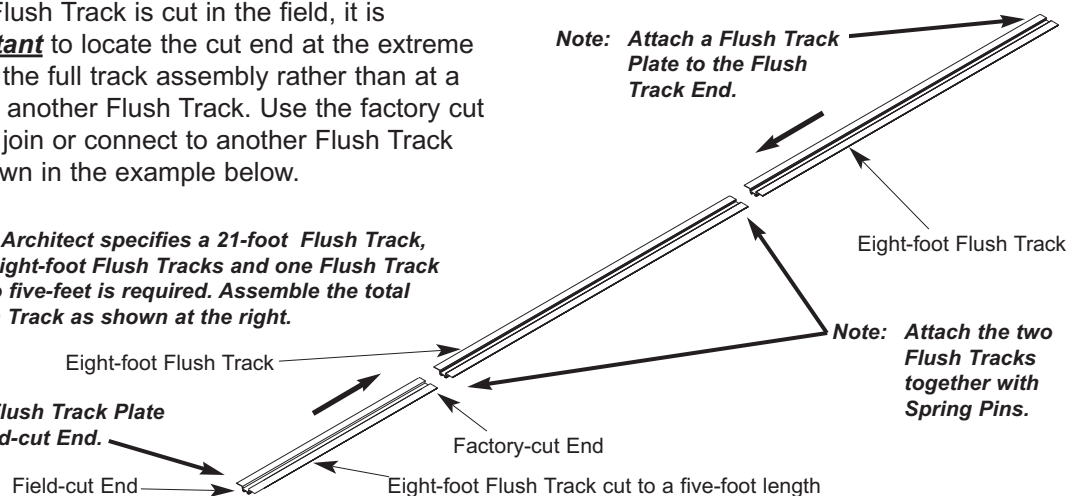
The Flush Track Accessory Carton contains one eight-foot Flush Track. The total length of the installed Flush Track specified by the architect may require two or more Flush Tracks. If the total length is not a multiple of eight-feet (eight-feet, 16-feet, 24-feet, and so on), it will be necessary to cut one Flush Track to achieve the necessary total length. It is best to do this in a shop with a metal-cutting band saw. As an alternative, the Flush Track may be cut in the field using a new carbide-tipped blade in a circular or table saw.

Warning: *Always wear safety glasses and long sleeves when cutting aluminum in the field. Aluminum chips will be sharp and hot. Failure to observe this precaution can result in serious injury.*

Note: If the Flush Track is cut in the field, it is **important** to locate the cut end at the extreme end of the full track assembly rather than at a joint to another Flush Track. Use the factory cut end to join or connect to another Flush Track as shown in the example below.

Example: *If the Architect specifies a 21-foot Flush Track, two eight-foot Flush Tracks and one Flush Track cut to five-feet is required. Assemble the total Flush Track as shown at the right.*

Note: *Attach a Flush Track Plate to the Field-cut End.*

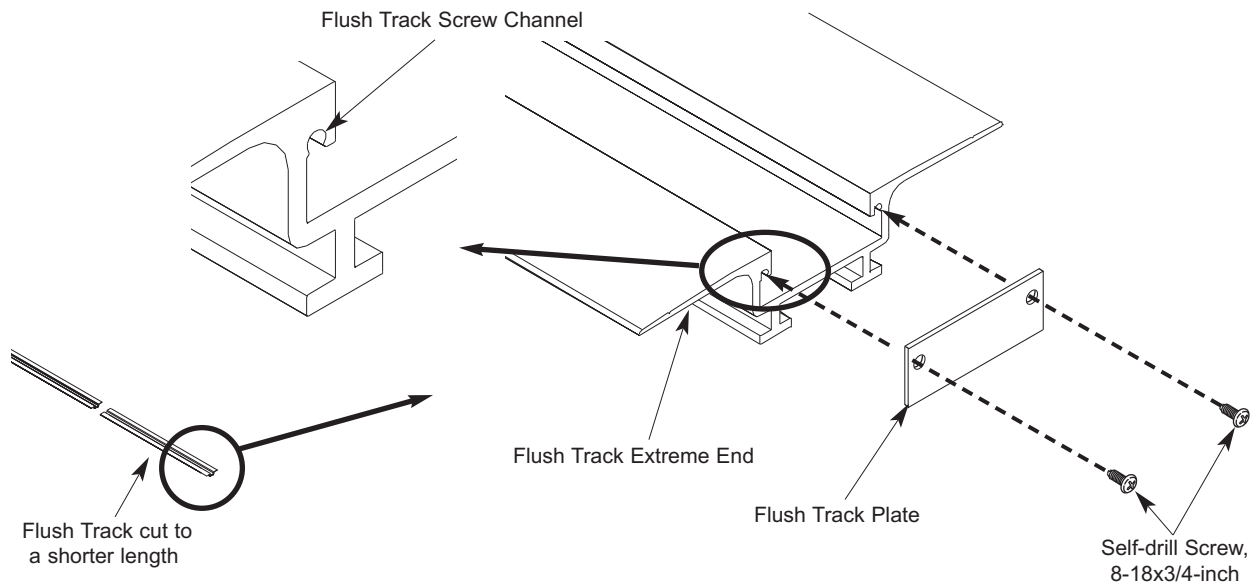


FLUSH TRACK INSTALLATION CONTINUED

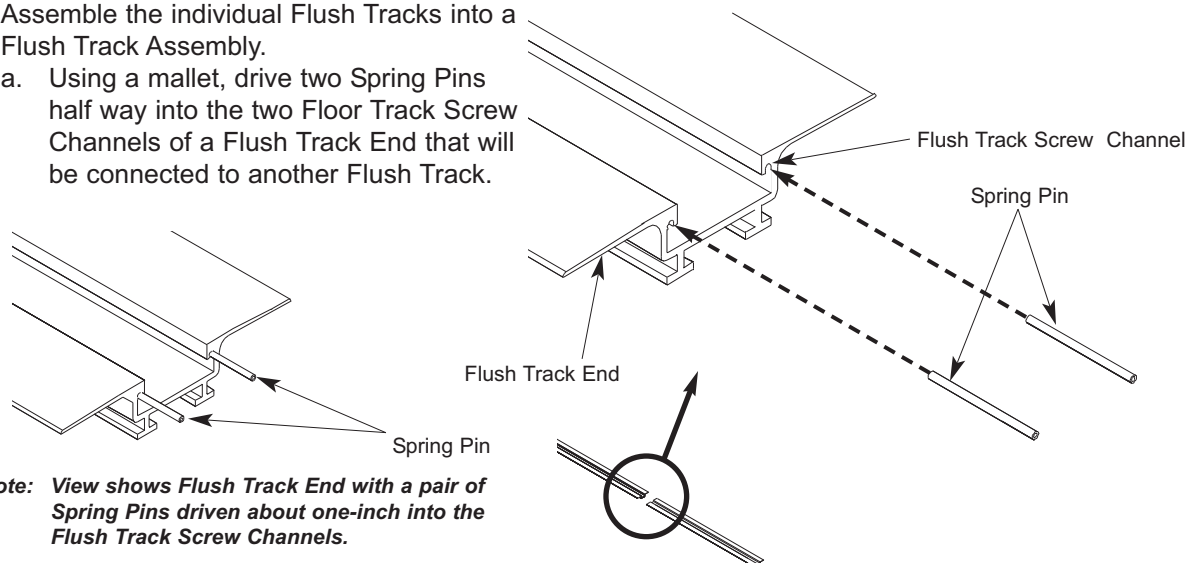
ASSEMBLE THE FULL LENGTH FLUSH TRACK CONTINUED

Assemble a full length Flush Track Assembly after the Reveal Strip has been removed from the newly poured concrete floor.

1. Place the Flush Tracks next to the Recess in the newly poured concrete floor similar to the example on the previous page.
 - a. If a Flush Track has been cut, make sure that the cut end is at the extreme end of the Flush Track Assembly.
 - b. Make sure the the total length of the Flush Track Assembly will fit into the Recess. The Flush Track Assembly should be about one-inch shorter than the Recess.
2. Assemble the Flush Track Plates to the Flush Track Extreme Ends as shown below.
 - a. Use a cordless drill and a phillips drive bit and attach a Flush Track Plate with two Self-drill Screws, 8-18x3/4-inch, to the two Flush Track Screw Channels.
 - b. Repeat step 2a on the other Flush Track Extreme End.



3. Assemble the individual Flush Tracks into a Flush Track Assembly.
 - a. Using a mallet, drive two Spring Pins half way into the two Floor Track Screw Channels of a Flush Track End that will be connected to another Flush Track.

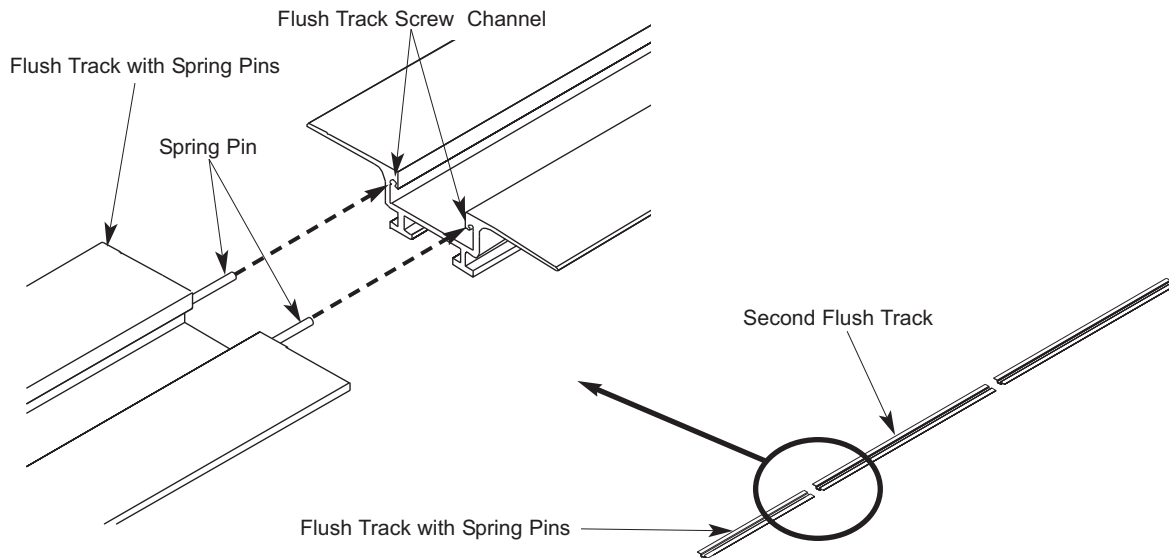


FLUSH TRACK INSTALLATION CONTINUED

ASSEMBLE THE FULL LENGTH FLUSH TRACK CONTINUED

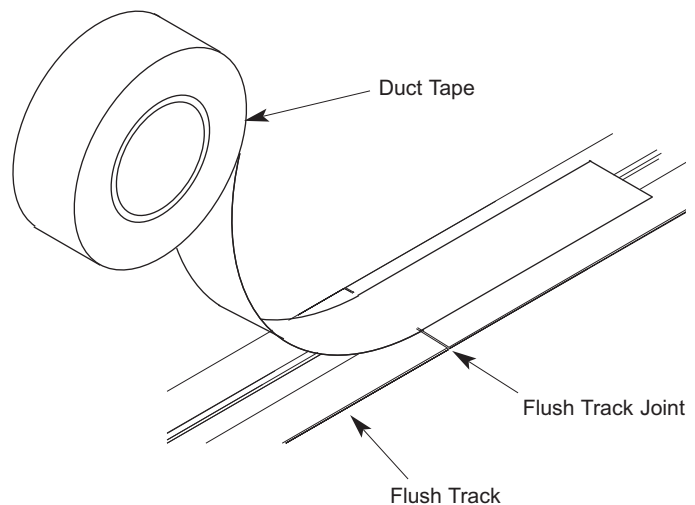
3. continued....
 - b. Align the Flush Track with Spring Pins to the Flush Track Screw Channels of the second Flush Track as shown below.
 - c. Use a mallet and a block of wood and tap the second Floor Track onto the Flush Track Spring Pins.

Note: Take care to not bend the Spring Pins when driving the Track onto the Pins.



4. Connect additional Flush Tracks as required by repeating step 3.
5. Place Duct Tape (or similar) on the top of the Flush Track Assembly at each joint. This will stabilize the Flush Track Assembly during installation.

Warning! To move a Flush Track Assembly with two or more Flush Tracks, two or more people must work together. Failure to observe this warning can result in misalignment or gaps in the Flush Track Assembly.



FLUSH TRACK INSTALLATION CONTINUED

ADD GROUT TO THE FLOOR RECESS

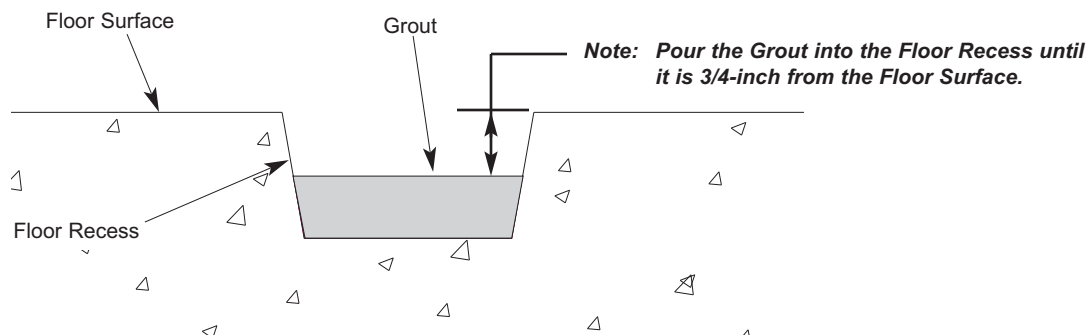
Grout, poured into the Floor Recess, must be used to hold the Flush Track Assembly in place.

Select a cementitious, high strength (6000 pound per square-inch, minimum compressive), non-shrink grout. Choose a product used to anchor bolts or rails that can be mixed to a flowable consistency. The right product will meet the Standard Specification ASTM C-1107 (for packaged dry hydraulic cement grout).

Do as follows.

1. Following the manufacturer's instructions, mix the grout to a flowable consistency.
2. Pour the Grout into the Floor Recess until the Grout Upper Surface is 3/4-inch from the Concrete Floor Surface as shown below.

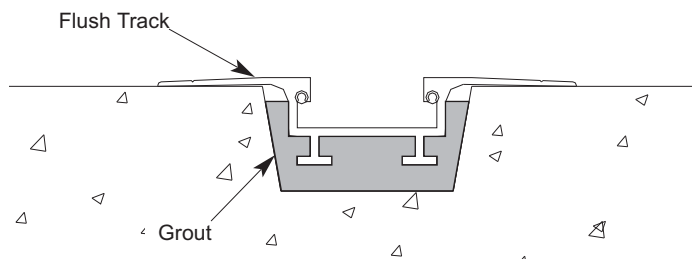
Note: Pouring too little Grout into the Floor Recess will not secure the Flush Track Assembly. Pouring too much Grout into the Floor Recess will result in a squeeze-out of Grout onto the Floor Surface.



PLACE THE FLUSH TRACK INTO THE FLOOR RECESS

Install the Flush Track as follows.

1. With two or more people working together, place the Flush Track Assembly into the center of the Floor Recess.
2. Press the Flush Track Assembly gently into the grout mixture until the flanges are in contact with the floor surface.



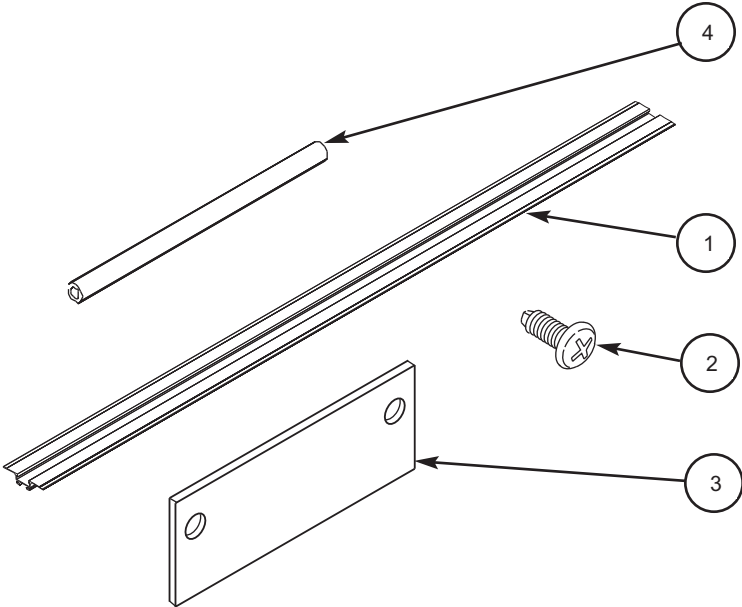
Place weights on the Flush Track Assembly (sand bags work well) while the Grout sets (24-hours minimum).

After grout is set, remove weights and tape. Clean the Flush Track Assembly with a mild detergent.

Caution! Do not place or operate Wenger High Density Sports Storage Carts on the Flush Track Assembly until the Grout has reached 50-percent of its full strength (usually three-days). Failure to observe this caution can result in a loose Track Assembly that must be replaced.

REPLACEMENT PARTS

FLUSH TRACK



Item	Description
1	Flush Track
2	Self-drill Screw, 8-18x3/4-inch
3	Flush Track Plate
4	Spring Pin, 1/8-inch x 2-inches long