



by **Wenger**

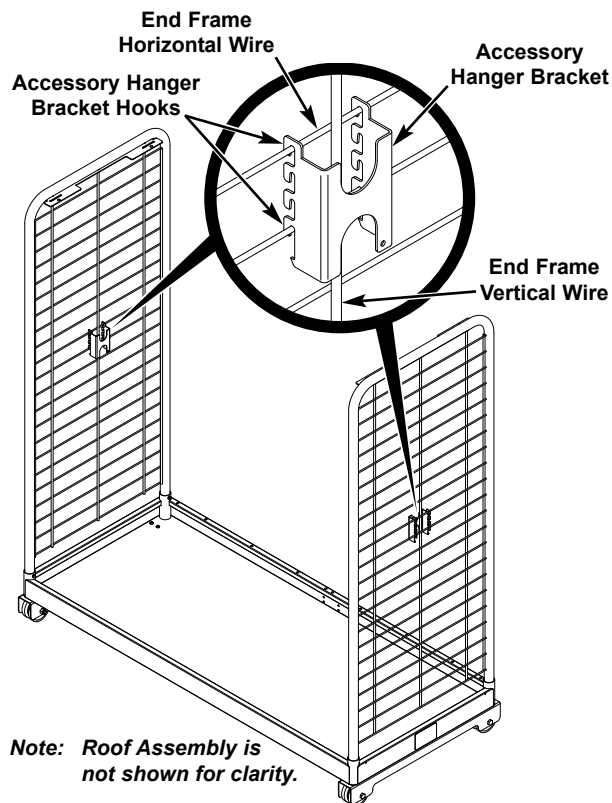
Installation Instructions

GearBoss II High Density Storage Garment Bar Accessory

Installation Instructions only! For Replacement Parts and more detailed product information, refer to the GearBoss II High Density Storage Assembly/Owner's Manual.

Caution: *Maximum Load Capacity Rating for Garment Bars is 150 lbs (68 kg).*

1. Attach one Accessory Hanger Brackets to each End Frame.
 - a. Place the Accessory Hanger Bracket Hooks onto the End Frame Horizontal Wires.
 - b. The Accessory Hanger Bracket Hooks must straddle the Vertical Wire as shown.
 - c. Make sure that both Accessory Hanger Brackets are at the same height.



2. Place an end of the Garment Bar into each Accessory Hanger Bracket Upper Pocket.

