



by Wenger

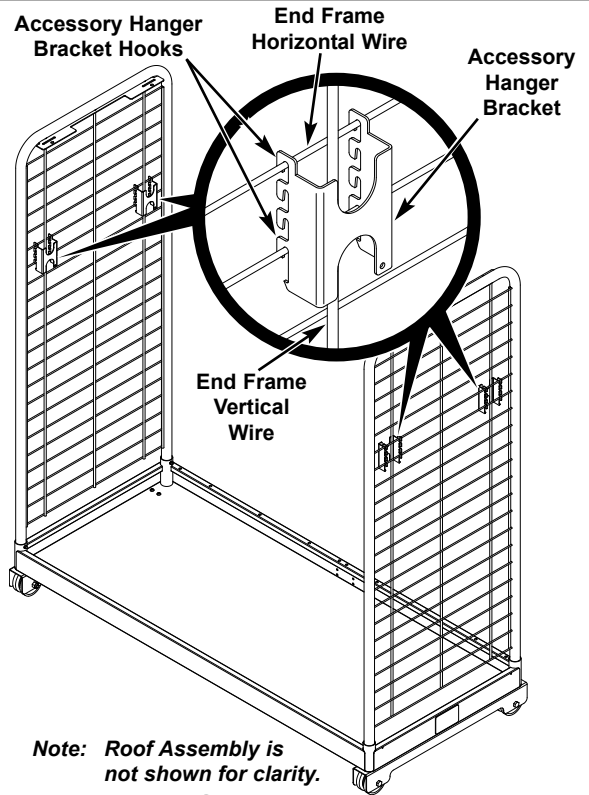
Installation Instructions

GearBoss II High Density Storage Storage Shelf Accessory

Installation Instructions only! For Replacement Parts and more detailed product information, refer to the GearBoss II High Density Storage Assembly/Owner's Manual.

Caution: Maximum Load Capacity Rating for all Storage Shelves is 150 lbs (68 kg).

1. Attach two Accessory Hanger Brackets to each End Frame.
 - a. Place the Accessory Hanger Bracket Hooks onto the End Frame Horizontal Wires.
 - b. The Accessory Hanger Bracket Hooks must straddle the vertical wire as shown.
 - c. Make sure that both Accessory Hanger Brackets are at the same height.



2. Install the Storage Shelf.
 - a. Align the four Storage Shelf Channels with the four Accessory Hanger Brackets.
 - b. Adjust the location of the Accessory Hanger Brackets as necessary.
 - c. Fit the Storage Shelf Channels and Channel Tabs into each Accessory Hanger Bracket Upper Pocket.

