



by Wenger®

Installation Instructions

GearBoss II High Density Storage Track Stop Accessory

Installation Instructions only! For Replacement Parts and more detailed product information, refer to the GearBoss II High Density Storage Assembly/Owner's Manual.

The Track Stop Accessory will prevent the Cart from moving beyond a determined point along the Floor Track.

Note: *The Track Stop must be installed at the same position on both the Front and Rear Floor Tracks to function properly.*

The Track Stop is attached to the Floor Track surface by securing it with the appropriate fasteners using the two holes in the Track Stop.

Because materials and construction of floors and can vary, fasteners for attaching the Track Stop are not provided. The installer must choose the appropriate fastener and follow the manufacturer's directions.

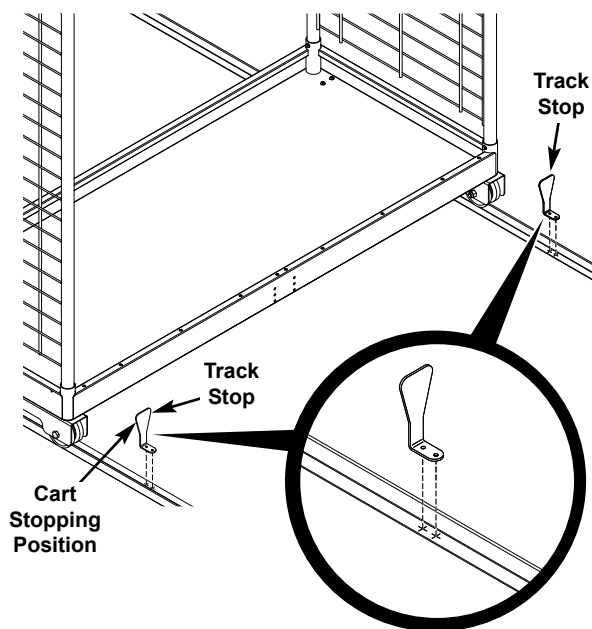
Warning: Inferior or improperly installed fasteners could cause the Track Stop to loosen or detach from the floor. Serious injury or damage to property may result.

Track Stop fastener guidelines:

- If the floor is wood construction, attachment should be by sheet metal or lag screws (#10 minimum).
- If the floor is concrete, attachment should be by concrete screw (Tapcon), or sheet metal screws (#10 minimum) into metal or plastic inserts.

Attach the Track Stop as follows.

1. Move the Cart along the Floor Track to the desired stopping point.
2. Align the Track Stop to be parallel the the Cart Wheel and in the center of the Floor Track Surface.
3. Mark the location of the mounting holes of the Track Stop on the surface of the Floor Track.
4. Using the appropriate fasteners, anchor the Track Stop through the Floor Track and into the floor.



Repeat the above instructions to attach the Track Stop in the same position on the opposite Floor Track.