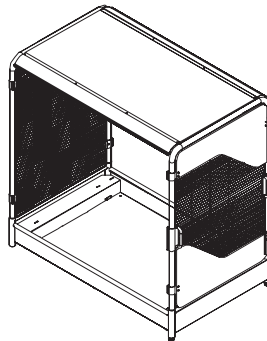




Owner's Manual High Density Sports Storage Partial End Closure Accessory

32-inch Partial End Closure

48-inch Partial End Closure



48-inch X Cart with Partial End Closure

CONTENTS

Safety	2
General	2
Installation	2
Warranty	3
Important User Information	3
Installation	3
Intended Use	3
Required Tools	4
Parts List and Fasteners	4
Fasteners	4
32-inch Partial End Closure Parts List and Hardware List	4
48-inch Partial End Closure Parts List and Hardware List	4
Partial End Closure Installation	5
Before Starting the Cart Partial End Closure Installation	5
Attach Closure Shims to the Partial Closures	5
Attach the Partial End Closures to the End Frame	7
Replacement Parts	10
Partial End Closure	10

Note: Please read and understand the High Density Sports Storage System Partial End Closure Accessory Owner's Manual before attempting installation or use.

Note: Remove all items from the shipping containers and sort the components by type, size, etc. Refer to the illustrations on the following pages. If you need additional information about your High Density Sports Storage Partial End Closure Accessory, write, email, or telephone Wenger Corporation at the number or address below.

SAFETY

Throughout this manual you will find **Cautions** and **Warnings** which are defined as follows.

- **Warning** means that failure to follow the instruction may result in serious injury or death.
- **Caution** means that failure to follow the instruction may result in injury or damage to property.

Note: Read all of these safety instructions before using or installing the High Density Sports Storage System and Accessories.

GENERAL

Warning! *Installation and use of the Wenger High Density Sports Storage System Accessories must always comply with the information in the section Important End User Information on page 3 of this manual. Failure to observe this warning can result in damage to property or serious injury.*

Warning! *People using the Wenger High Density Sports Storage System Accessories must always observe and comply with warnings and cautions posted on the System equipment. Failure to observe this warning can result in damage to property or serious injury.*

INSTALLATION

Warning! *Always wear safety glasses and safety shoes when assembling the Wenger High Density Sports Storage System Accessories. Failure to observe this warning can result in damage to property or serious injury.*

Warning! *Make sure that anyone who helps assemble the Wenger High Density Sports Storage System Partial End Closure Accessory has read and understands this manual. Failure to observe this warning can result in damage to property or serious injury.*

Warning! *Never stand on a Cart when working on it. Failure to observe this warning can result in serious injury or damage to property.*

WARRANTY

The High Density Sports Storage System Partial End Closure Accessory is guaranteed free of defects in materials and workmanship for three full years.

Our guarantee assures you of either a full refund or repair or replacement of the defective materials or workmanship without charge, at the discretion of our Customer Service Department. Just call a Customer Service Representative at 1-800-887-7145 and state the reason you are dissatisfied. If a product return is necessary, your representative will issue a return authorization. This is your sole remedy for breach of this warranty.

Should you have a question or problem with any Wenger product, don't hesitate to call, even if the product is past warranty. It's important to us that all our customers be satisfied.

This is the sole warranty made by Wenger. Wenger disclaims all other warranties, including the warranties of merchantability and fitness for a particular purpose, as well as all liability for incidental, consequential, special, and indirect damage. Wenger liability for direct damages shall be limited to the amount you paid for the product involved. Wenger reserves the right to make product changes without obligation to incorporate such changes into products previously sold.

Some states do not allow the exclusion or limitation of damages or warranties, so the above may not apply to you. This warranty gives you specific legal rights. You may also have other rights which vary from state to state.

IMPORTANT USER INFORMATION

INSTALLATION

- The Wenger High Density Sports Storage System Partial End Closure Accessory installation must comply with local building regulations and codes.
- All personnel (including all temporary workers) installing the Wenger High Density Sports Storage System Partial End Closure Accessory must read and understand this entire manual.
- Personnel installing the Wenger High Density Sports Storage System Partial End Closure Accessory must comply with the warnings and cautions in the Safety Section.

INTENDED USE

- The Wenger High Density Sports Storage System Partial End Closure Accessory is intended for indoor use in normal ambient temperature and humidity conditions — it must not be exposed to prolonged outside weather conditions.
- The Wenger High Density Sports Storage System Partial End Closure Accessory is intended to be permanently installed only as described in this manual.

REQUIRED TOOLS

The High Density Sports Storage Partial End Closure Accessory installation requires the installer to supply the tools shown below.



7/32-inch Hex Wrench

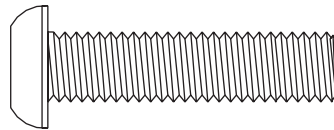


9/16-inch Combination Wrench

PARTS LIST AND FASTENERS

FASTENERS

The full scale fastener shown below is contained in the Hardware Pack. Any fasteners remaining when an Accessory installation is complete should be discarded.



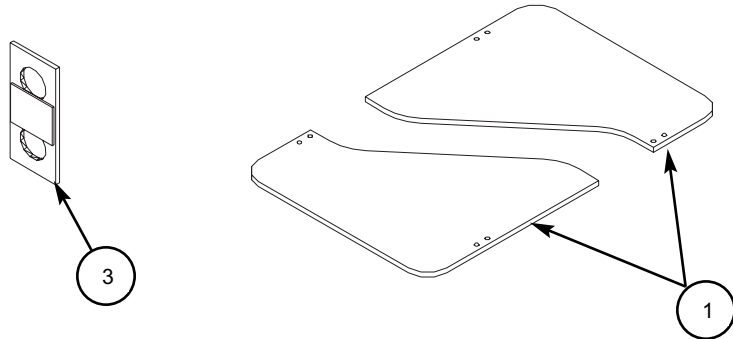
(2) Button Head Screw, 3/8-16x1-1/2-inch

32-INCH PARTIAL END CLOSURE PARTS LIST AND HARDWARE LIST

Item	Qty	Description
1	2	32-inch Partial End Closure
2	8	Screw, Button Head, 3/8-16x1-1/2-inch**
3	4	Closure Shim

** Not shown, refer to Fasteners

Note: Parts list is for the parts and the Hardware Pack contained in the 32-inch Partial End Closure Carton.

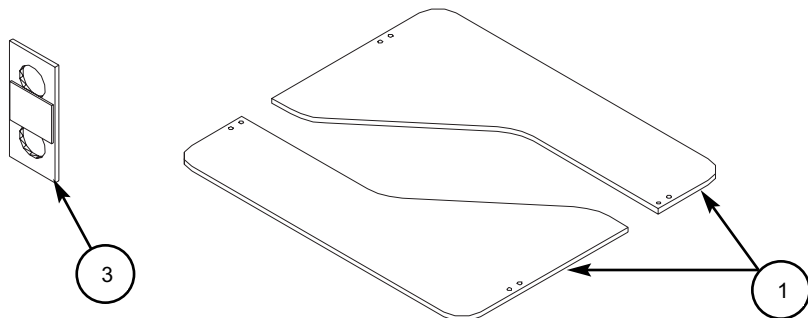


48-INCH PARTIAL END CLOSURE PARTS LIST AND HARDWARE LIST

Item	Qty	Description
1	2	48-inch Partial End Closure
2	8	Screw, Button Head, 3/8-16x1-1/2-inch**
3	4	Closure Shim

** Not shown, refer to Fasteners

Note: Parts list is for the parts and the Hardware Pack contained in the 48-inch Partial End Closure Carton.



PARTIAL END CLOSURE INSTALLATION

The following Installation Instructions are the same for the 32-inch Partial End Closure installation to a Team Cart or 32-inch X-Cart and for the 48-inch Partial End Closure installation to a 48-inch X-Cart.

The example on the following pages describes installing a pair of Partial End Closures with a Right Slant onto a 48-inch X-Cart Front End Frame.

BEFORE STARTING THE PARTIAL END CLOSURE INSTALLATION

Warning: *Personal injury or damage to property can happen if the instructions in this manual are not followed.*

Warning: *Always wear safety glasses and safety shoes when installing the High Density Sports Storage System. Failure to observe this precaution can result in serious injury.*

Warning! *Never stand on a Cart when working on it. Failure to observe this warning can result in serious injury or damage to property.*

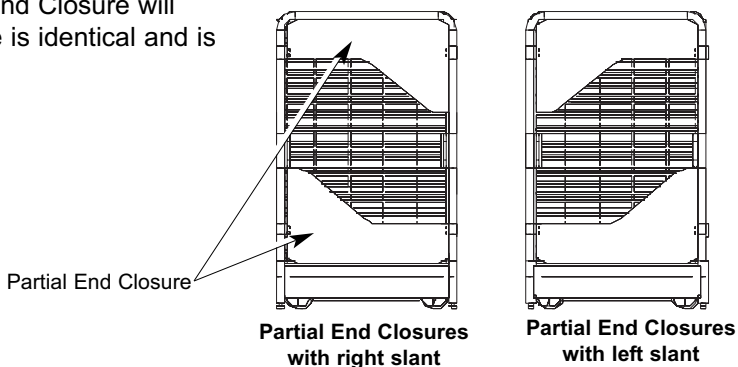
Note: Not all hardware items packed in the carton may be needed. When the assembly is complete, discard any hardware items not used.

1. Move the Partial End Closure Carton to the work area.
2. Open the Carton and inventory the contents. Make sure that all of the required items listed on page 4 are present including the Hardware items. Discard the packing materials and corrugated carton.

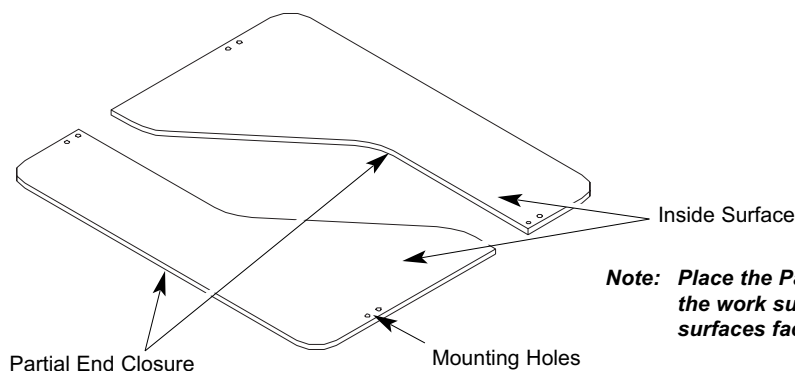
ATTACH CLOSURE SHIMS TO THE PARTIAL CLOSURES

Two Closure Shims must be attached to the inside surface of each Partial End Closure.

1. Decide which way the Partial End Closure will slant. Each Partial End Closure is identical and is reversible.



2. Place the two Partial End Closures onto a work surface with the inside surface (surface that will be against the End Frame) facing upward as shown below.

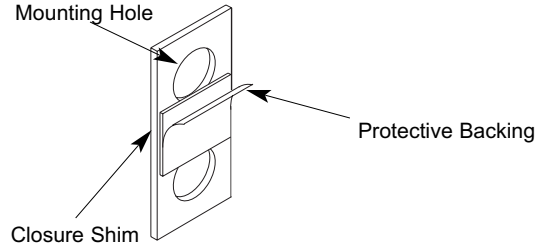


Note: *Place the Partial End Closures onto the work surface with the inside surfaces facing upward.*

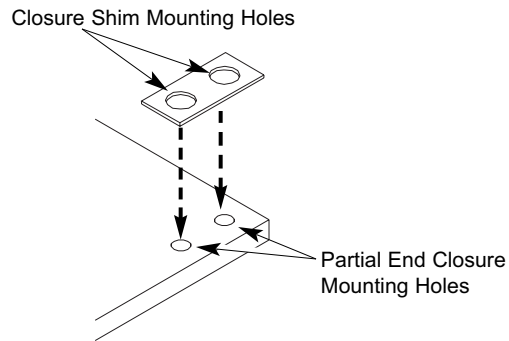
PARTIAL END CLOSURE INSTALLATION CONTINUED

ATTACH CLOSURE SHIMS TO THE PARTIAL END CLOSURES CONTINUED

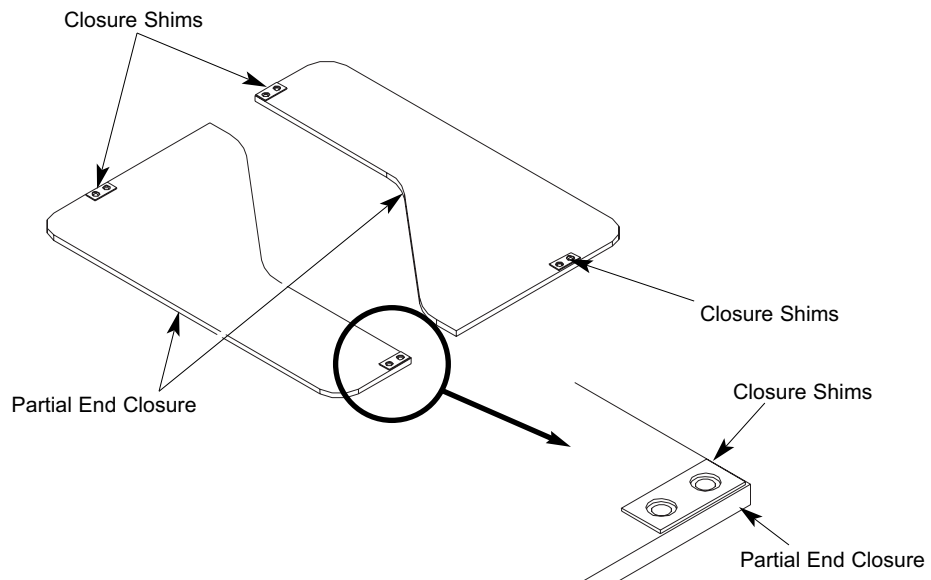
3. Attach four Closure Shims to the inside surface of the two Partial End Closures as follows.
 - a. Remove the Protective Backing from a Closure Shim.



- b. Align the two Closure Shim Mounting Holes to two Partial End Closure Mounting Holes as shown below **with the exposed adhesive strip facing downward** and press the Closure Shim onto the Partial End Closure.



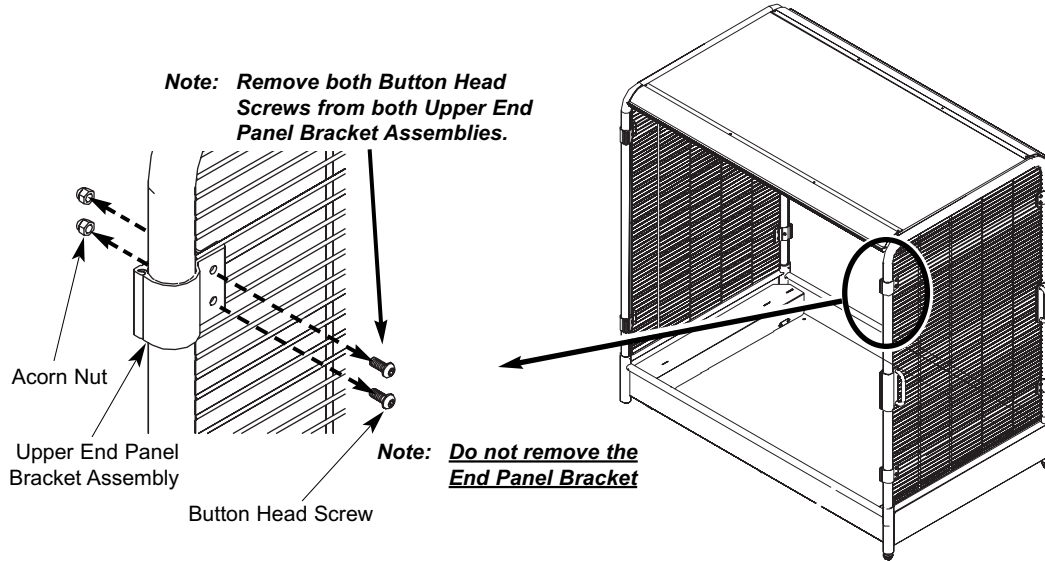
- c. Repeating steps 3a and 3b, attach three remaining Closure Shims to the two Partial End Closures.



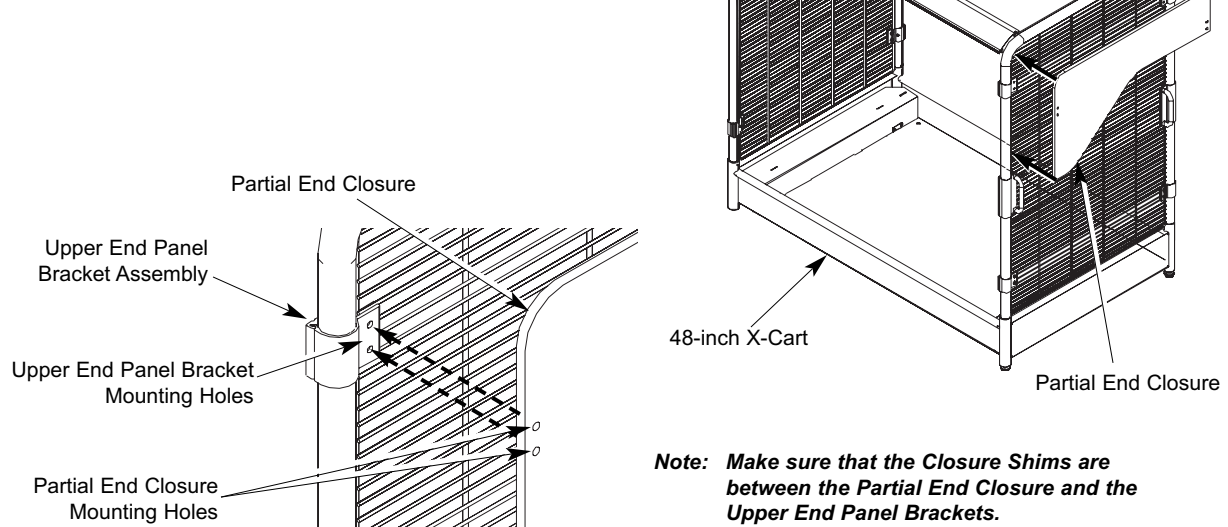
PARTIAL END CLOSURE INSTALLATION CONTINUED

ATTACH THE PARTIAL END CLOSURES TO THE END FRAME

1. Using a 7/32-inch hex wrench and a 9/16-inch combination wrench, remove both Button Head Screws and Acorn Nuts from each of the two **Upper** End Panel Brackets on the End Frame. Save the Acorn Nuts and discard the Button Head Screws. **Do not remove the End Panel Brackets.**



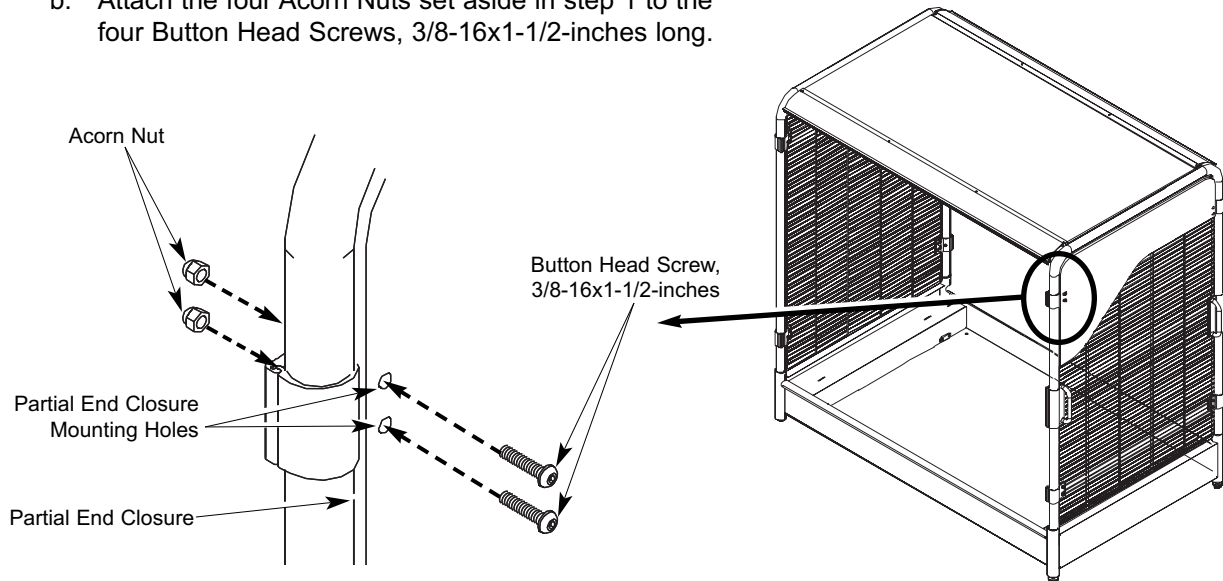
2. Hold the Partial End Closure against the Upper End Panel Brackets.
 - a. Make sure that the Closure Shims applied in step 3 on page 6 are between the Upper End Panel Brackets and the Partial End Closure.
 - b. Align the Partial End Closure Mounting Holes to the Holes in the Upper End Panel Brackets.



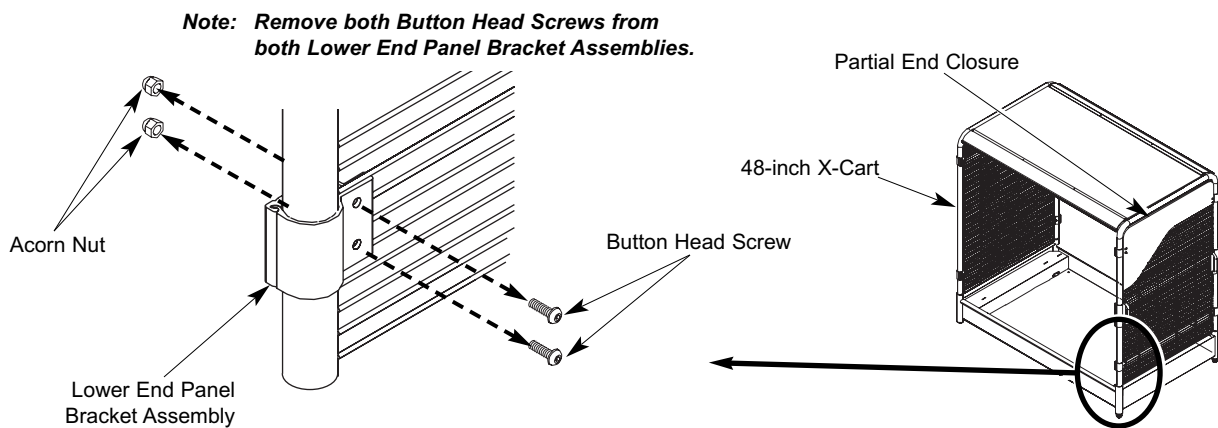
PARTIAL END CLOSURE INSTALLATION CONTINUED

ATTACH THE PARTIAL END CLOSURES TO THE END FRAME CONTINUED

3. Attach the Partial End Closure to the End Frame as follows.
 - a. Insert four Button Head Screws, 3/8-16x1-1/2-inches long through the four Partial End Closure Mounting Holes.
 - b. Attach the four Acorn Nuts set aside in step 1 to the four Button Head Screws, 3/8-16x1-1/2-inches long.



4. Remove both Button Head Screws and Acorn Nuts from each of the two **Lower** End Panel Brackets on the End Frame. Save the Acorn Nuts and discard the Button Head Screws. **Do not remove the End Panel Brackets.**

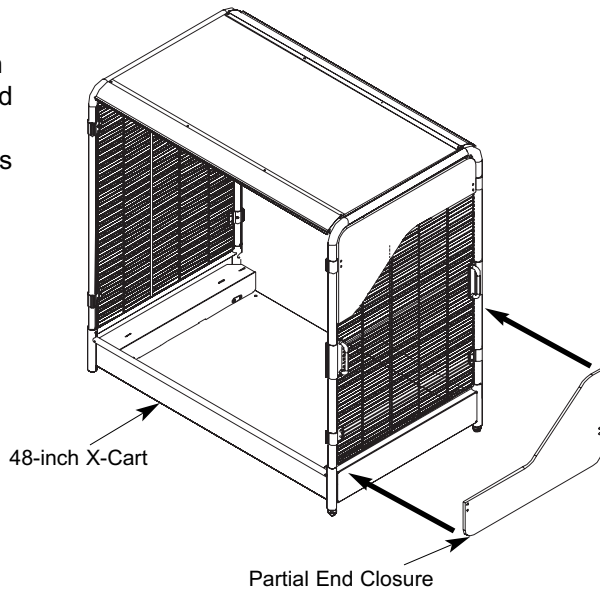


Note: Do not remove the End Panel Bracket

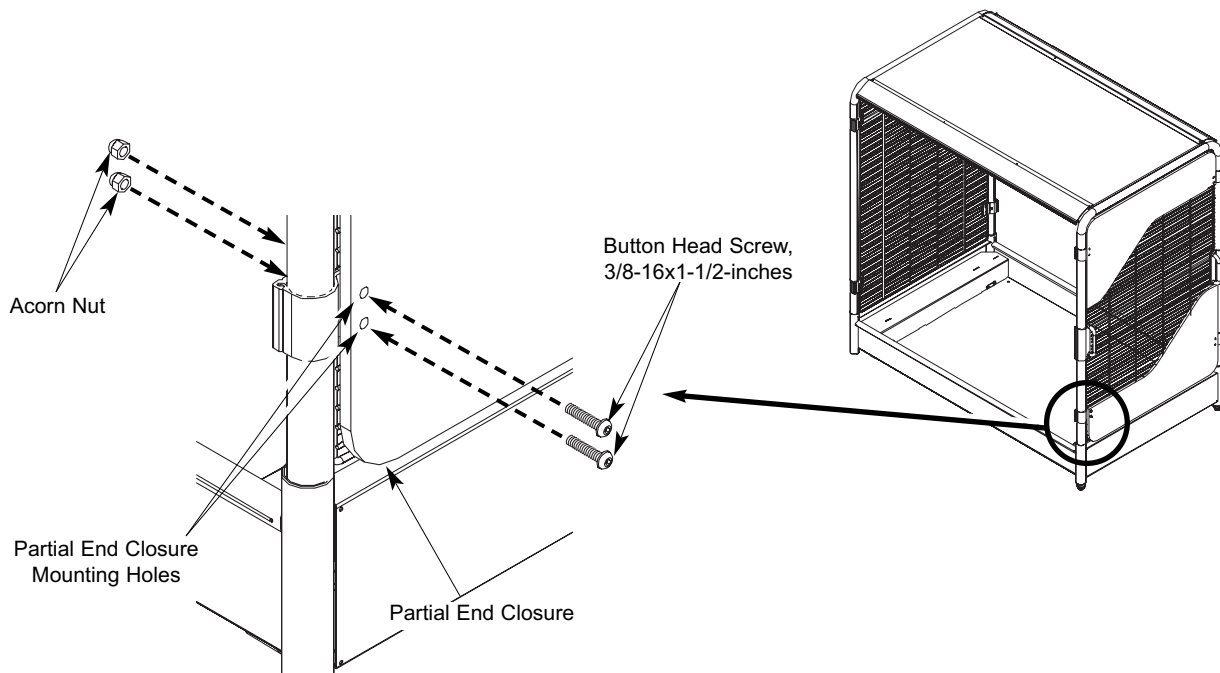
PARTIAL END CLOSURE INSTALLATION CONTINUED

ATTACH THE PARTIAL END CLOSURES TO THE END FRAME CONTINUED

5. Hold the second Partial End Closure against the Lower End Panel Brackets.
 - a. Make sure that the Closure Shims applied in step 3 on page 6 are between the Lower End Panel Brackets and the Partial End Closure.
 - b. Align the Partial End Closure Mounting Holes to the Holes in the Lower End Panel Brackets.

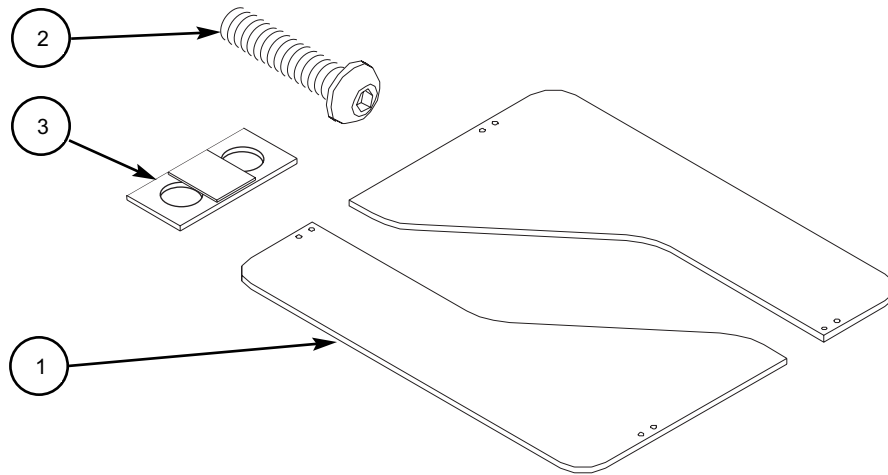


6. Attach the Partial End Closure to the End Frame as follows.
 - a. Insert four Button Head Screws, 3/8-16x1-1/2-inches long through the four Partial End Closure Mounting Holes.
 - b. Attach the four Acorn Nuts set aside in step 4 to the four Button Head Screws, 3/8-16x1-1/2-inches long.



REPLACEMENT PARTS

PARTIAL END CLOSURE



Note: 48-inch Partial End Closure is shown.

Note: When ordering, specify whether 32-inch or 48-inch Partial End Closure

Item	Description
1	Partial End Closure
2	Button Head Screw, 3/8-16x1-1/2-inch
3	Closure Shim