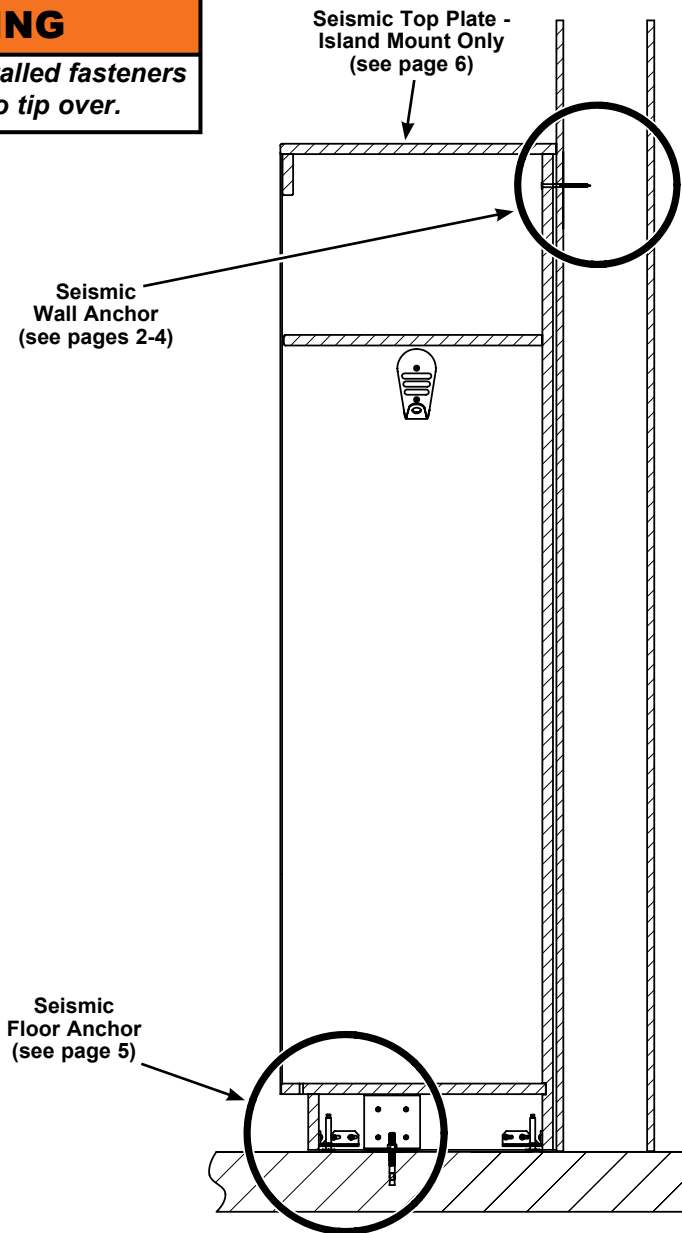




**Seismic Instructions to be used with Rival Athletic Lockers only!**  
For more detailed product information, refer to the  
**Rival Athletic Locker Installation Instructions 243A242.**

**⚠ WARNING**  
*Inferior or improperly installed fasteners could cause the lockers to tip over.*



**Rival Athletic Locker  
Seismic  
Section View**

Visit [gearboss.com/rival-lockers.php](http://gearboss.com/rival-lockers.php) for detailed instructions and videos.

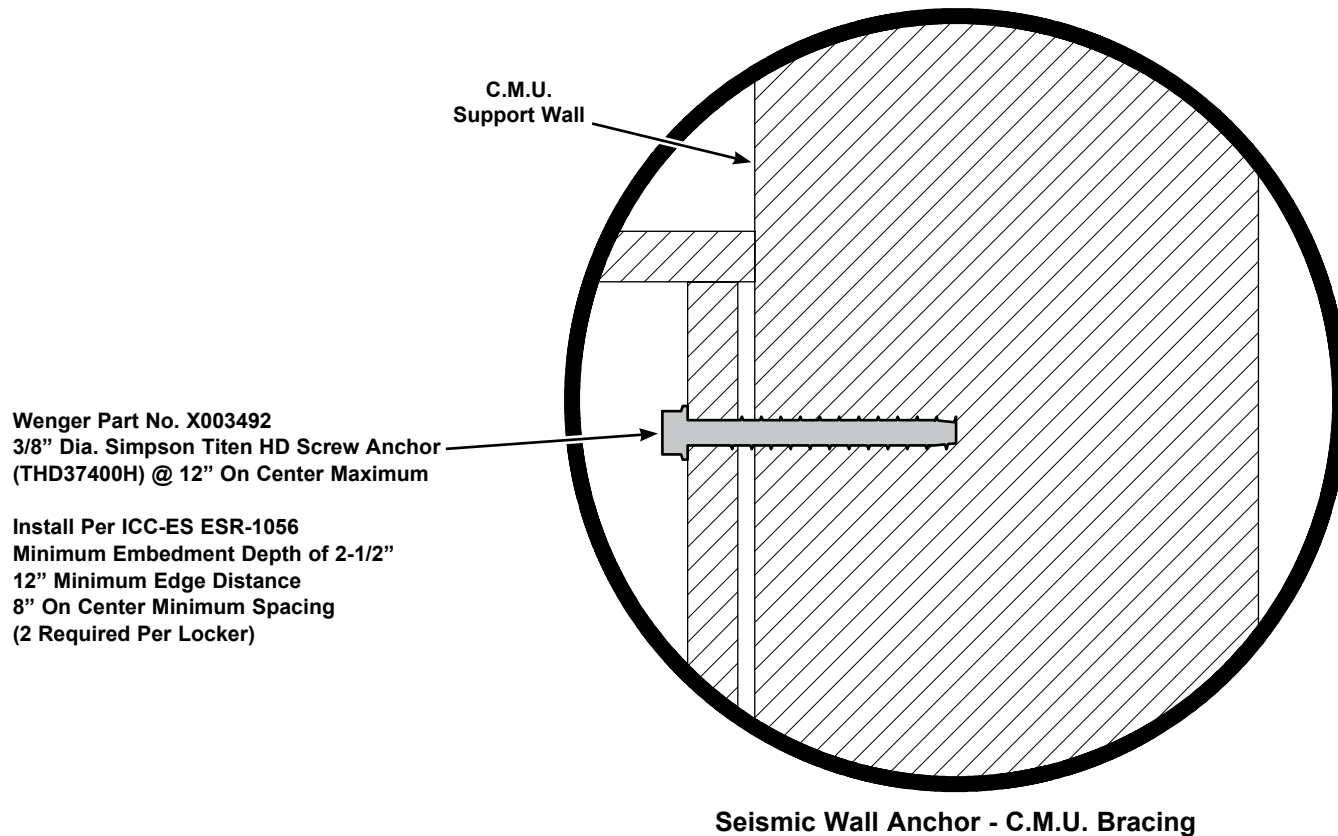
**Note:** Please read and understand these instructions before starting the installation.  
**Note:** If you need additional information, contact Wenger Corporation using the information below.

## **Seismic Wall Anchor - C.M.U. Bracing**

---

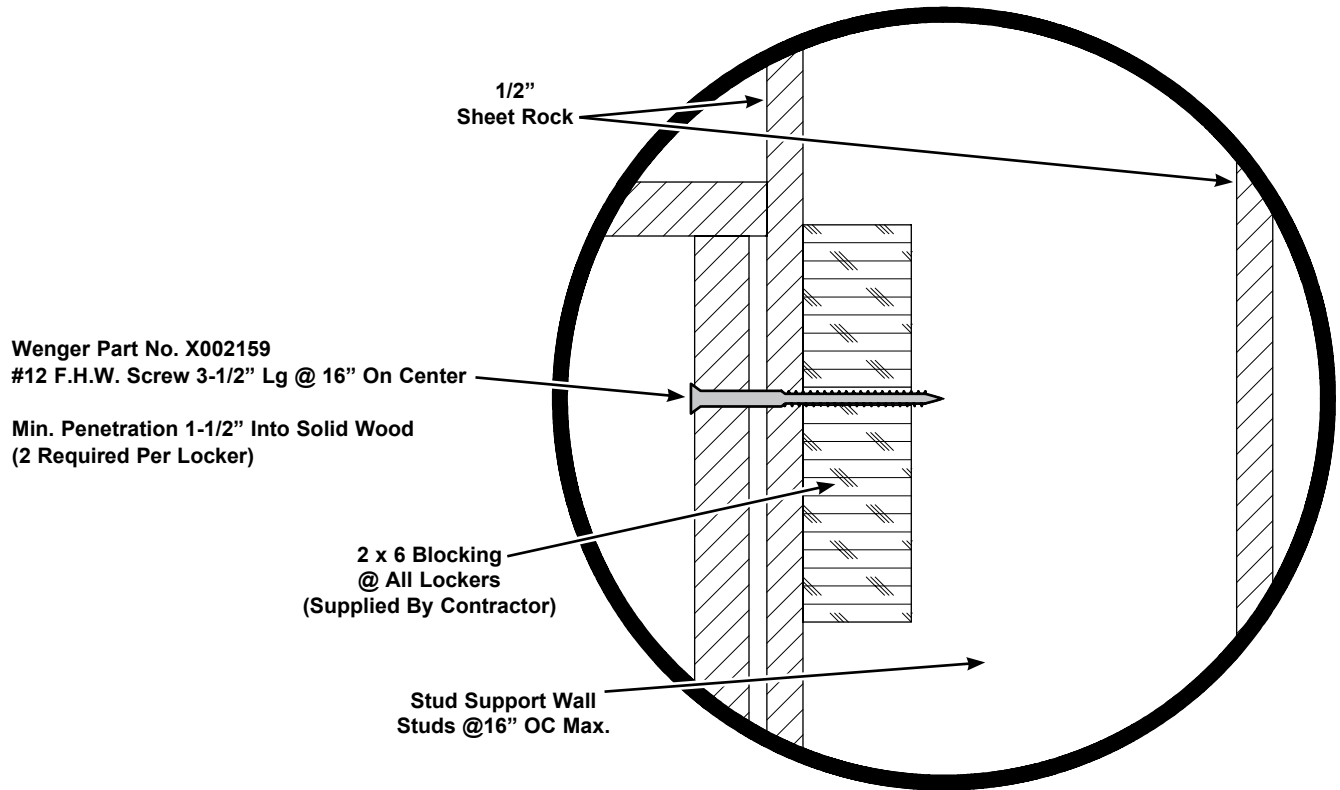
Wenger Part No. X003492 Screw Anchors should be secured using the following procedure:

1. Use a 3/8" drill bit to pre-drill each hole 1/2" to 1" deeper into the wall surface than the Screw Anchor length (to allow for dust and debris while drilling).
2. Remove any debris residue from the pre-drilled hole.
3. Drive the Screw Anchor into the pre-drilled hole.
4. Tighten the Screw Anchor to the specified torque.



# Seismic Wall Anchor - 2" x 6" Wood Bracing

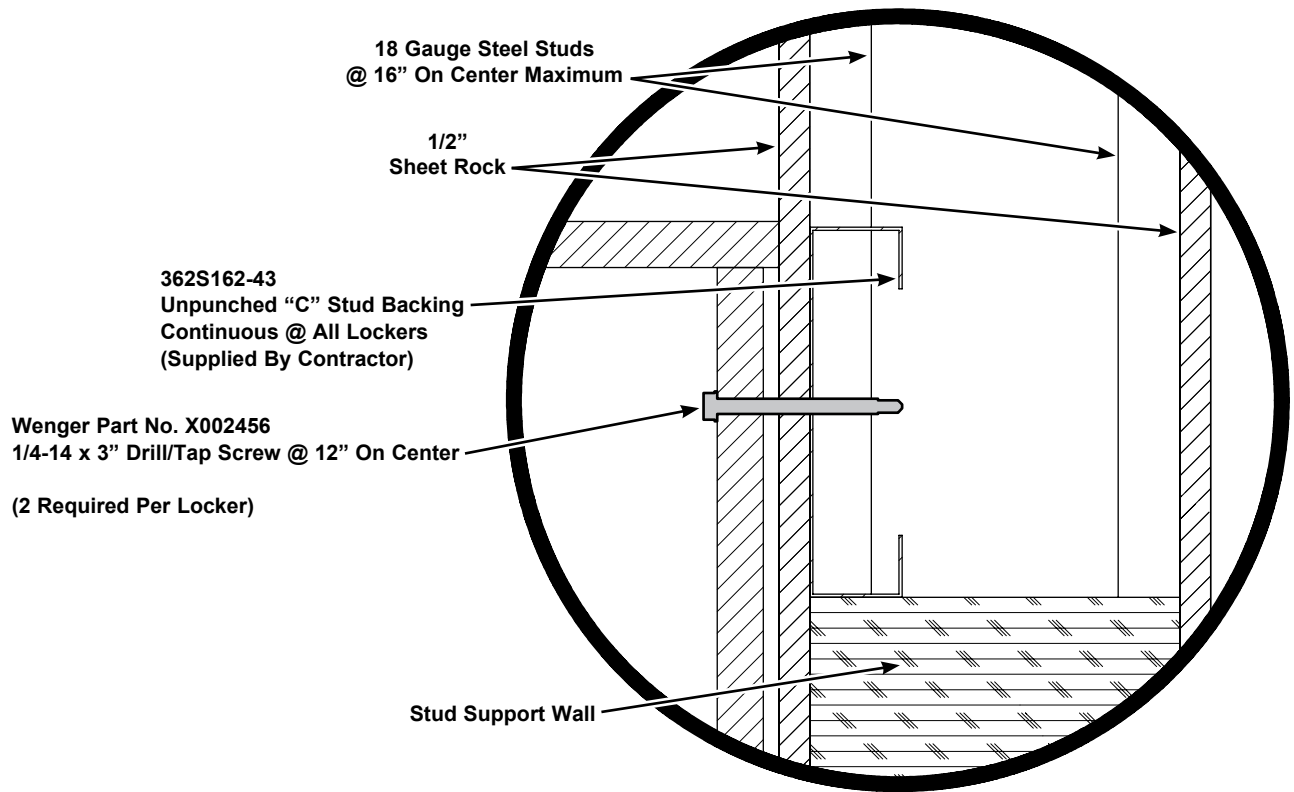
---



Seismic Wall Anchor - 2" x 6" Wood Bracing

# Seismic Wall Anchor - Metal Stud Bracing

---

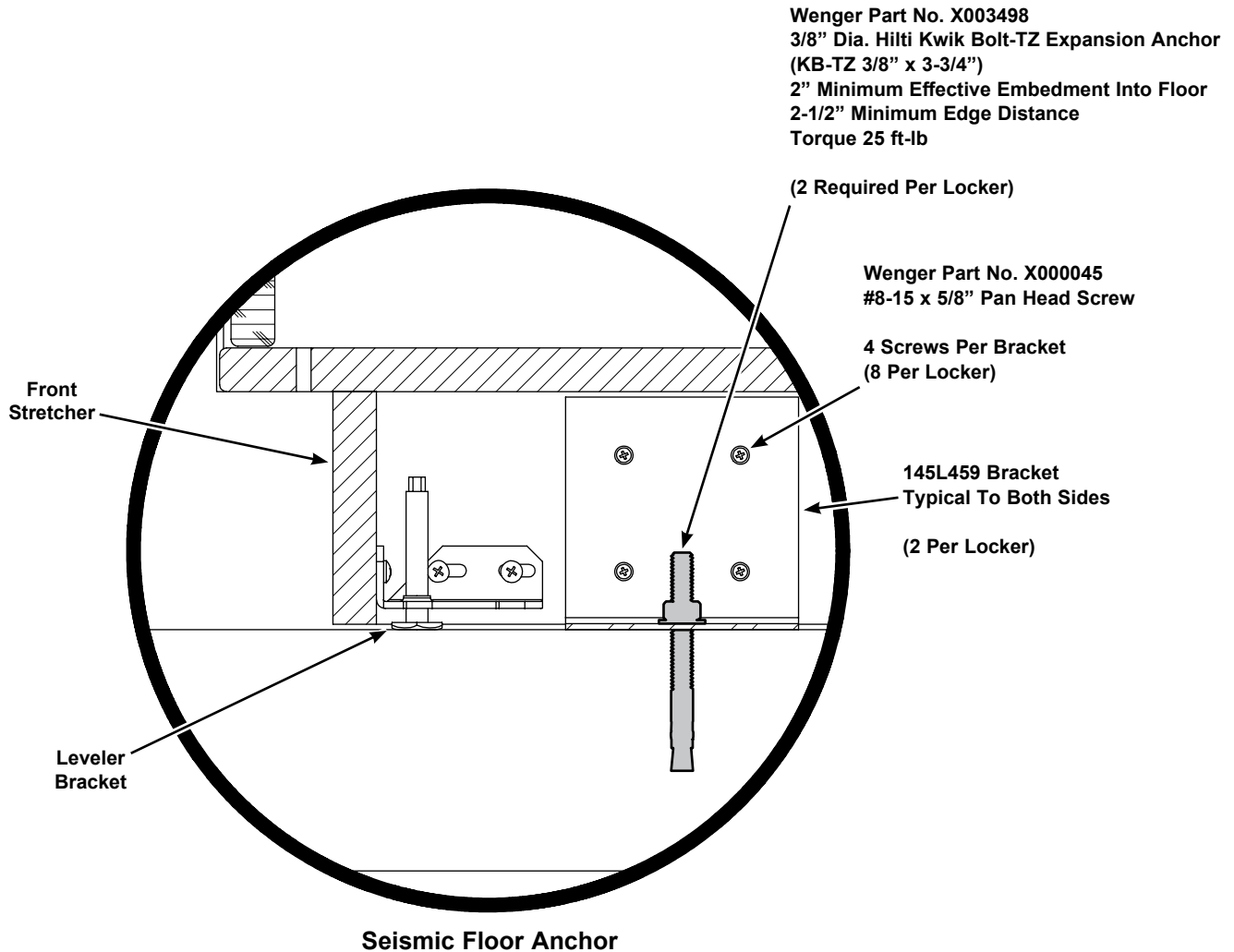


Seismic Wall Anchor - Metal Stud Bracing

# Seismic Floor Anchor

Wenger Part No. X003498 Expansion Anchors should be secured using the following procedure:

1. Use a 3/8" drill bit to pre-drill each hole 1/2" to 1" deeper into the floor than the Expansion Anchor length (to allow for dust and debris while drilling).
2. Remove any debris residue from the pre-drilled hole.
3. Drive the Expansion Anchor through the 145L459 Bracket and into the pre-drilled hole.
4. Tighten the Expansion Anchor to the specified torque.

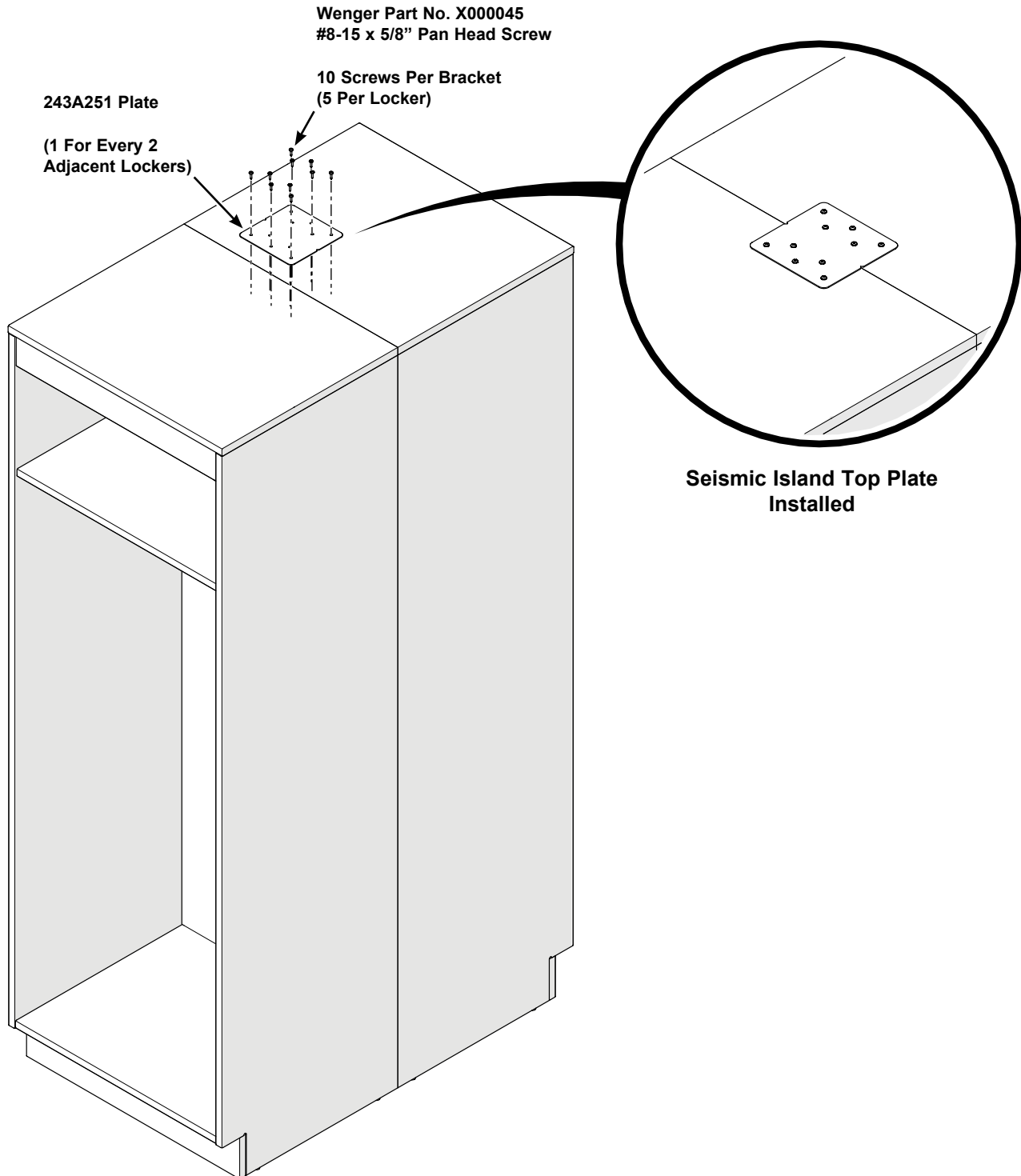


## **Seismic Top Plate (Island Mount Only)**

---

Connect the tops of adjacent locker backs together.

1. Center one seismic island top plate across the backs of two adjacent lockers as shown.
2. Attach the plate to the lockers using ten #8-15 x 5/8" pan head screws (five per locker) as shown.



This page is intentionally blank.

This page is intentionally blank.