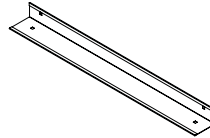


Full Length Shelf Lip



Half Length Shelf Lip

## CONTENTS

Safety .....	2
General .....	2
Installation .....	2
Warranty .....	2
Important User Information .....	3
Installation .....	3
Intended Use .....	3
Full Length Shelf Lip Installation .....	4
Half Length Shelf Lip Installation .....	5
Replacement Parts List .....	6
Full Length Shelf Lip Accessory .....	6
Half Length Shelf Lip Accessory .....	6

**Note:** Please read and understand the Shelf Lip Accessory Owner's Manual before attempting installation, assembly, or use.

**Note:** Remove all items from the shipping containers and sort the components by type, size, etc. Refer to the illustrations on the following pages. If you need additional information about your Shelf Lip Accessory, contact the Wenger Corporation using the information listed below.

# SAFETY


---

Throughout this manual you will find **Cautions** and **Warnings** which are defined as follows.

- **Warning** means that failure to follow the instruction may result in serious injury or death.
- **Caution** means that failure to follow the instruction may result in injury or damage to property.

Read and understand the following safety instructions before using or installing any Gearboss Accessory.


## GENERAL

 <b>CAUTION</b>
<i>Installation and use of the Gearboss Accessories must always comply with the information in the "Important End User Information, Intended Use" section on page 3 of this manual.</i>

 <b>CAUTION</b>
<i>When using the Gearboss Accessories, always observe and comply with Warnings and Cautions posted on the system equipment.</i>

## INSTALLATION

 <b>CAUTION</b>
<i>Always wear safety glasses and safety shoes when assembling any Gearboss Accessories</i>

 <b>CAUTION</b>
<i>Make sure that anyone who helps assemble the Gearboss Shelf Lip Accessory has read and understands this manual.</i>

 <b>CAUTION</b>
<i>Never stand on a Cart while working on it.</i>

# WARRANTY

---

The Gearboss Shelf Lip Accessory is guaranteed free of defects in materials and workmanship for five full years.

Our guarantee assures you of either a full refund or repair or replacement of the defective materials or workmanship without charge, at the discretion of our Customer Service Department. Just call a Customer Service Representative at 1-800-887-7145 and state the reason you are dissatisfied. If a product return is necessary, your representative will issue a return authorization. This is your sole remedy for breach of this warranty.

Should you have a question or problem with any Wenger product, don't hesitate to call, even if the product is past warranty. It's important to us that all our customers be satisfied.

This is the sole warranty made by Wenger. Wenger disclaims all other warranties, including the warranties of merchantability and fitness for a particular purpose, as well as all liability for incidental, consequential, special, and indirect damage. Wenger liability for direct damages shall be limited to the amount you paid for the product involved. Wenger reserves the right to make product changes without obligation to incorporate such changes into products previously sold.

Some states do not allow the exclusion or limitation of damages or warranties, so the above may not apply to you. This warranty gives you specific legal rights. You may also have other rights which vary from state to state.

---

# **IMPORTANT USER INFORMATION**

---

## **INSTALLATION**

- The Gearboss Shelf Lip Accessory installation must comply with local building regulations and codes.
- Personnel installing the Gearboss Shelf Lip Accessory must comply with the Warnings and Cautions in the Safety Section.

## **INTENDED USE**

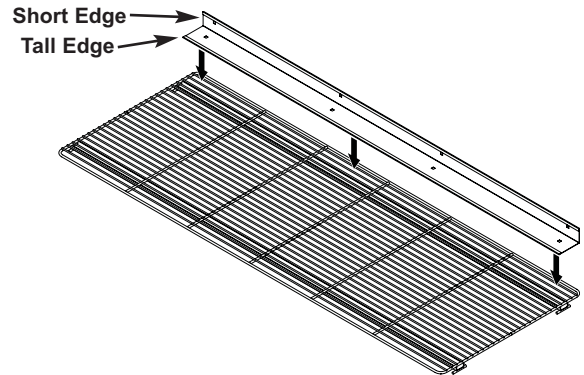
- The Gearboss Shelf Lip Accessory is intended for indoor use in normal ambient temperature and humidity conditions — it must not be exposed to prolonged outside weather conditions.
- The Gearboss Shelf Lip Accessory is intended to be installed only as described in this manual.

# FULL LENGTH SHELF LIP INSTALLATION

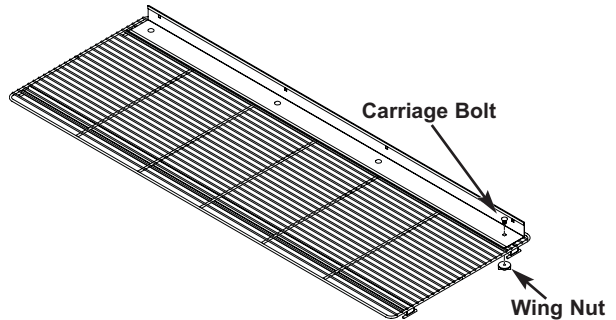
**NOTE:** The Full Length Shelf Lip is designed to be used with the Full Length Wire Shelf Accessory.

**NOTE:** The Shelf Lip can be installed with either the tall or short edge up.

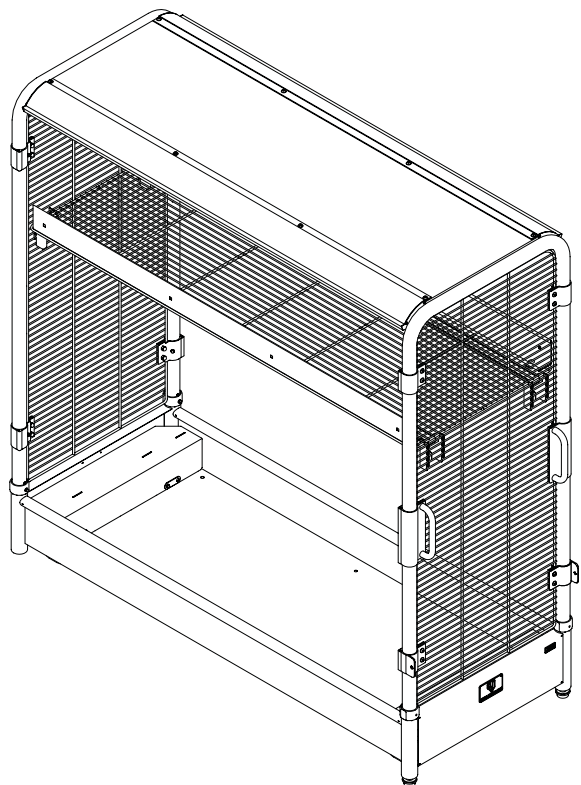
1. Place the Shelf Lip centered at the desired location on the Wire Shelf.



2. Insert the Carriage Bolt through a square hole in the Shelf Lip and secure with a Wing Nut.
3. Repeat for the other end of the shelf followed by the middle two mounting locations.



4. The Shelf Lip Accessory Kit includes two Shelf Lips and mounting hardware for both. Install the other Shelf Lip repeating steps 1 - 4 on the other side of the cart.



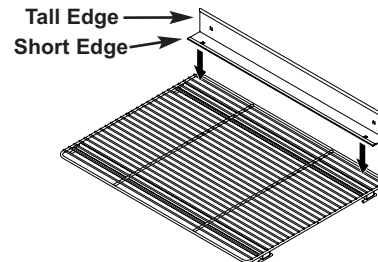
# HALF LENGTH SHELF LIP INSTALLATION

---

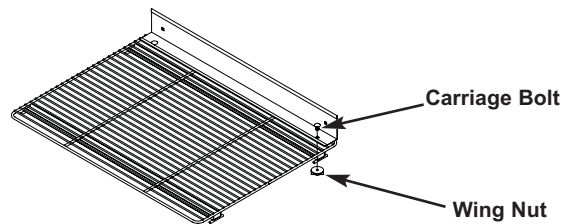
**NOTE:** The Half Length Shelf Lip is designed to be used with the Half Length Wire Shelf Accessory along with the Cart Divider Accessory.

**NOTE:** The Half Shelf Lip can be installed with either the tall or short edge up.

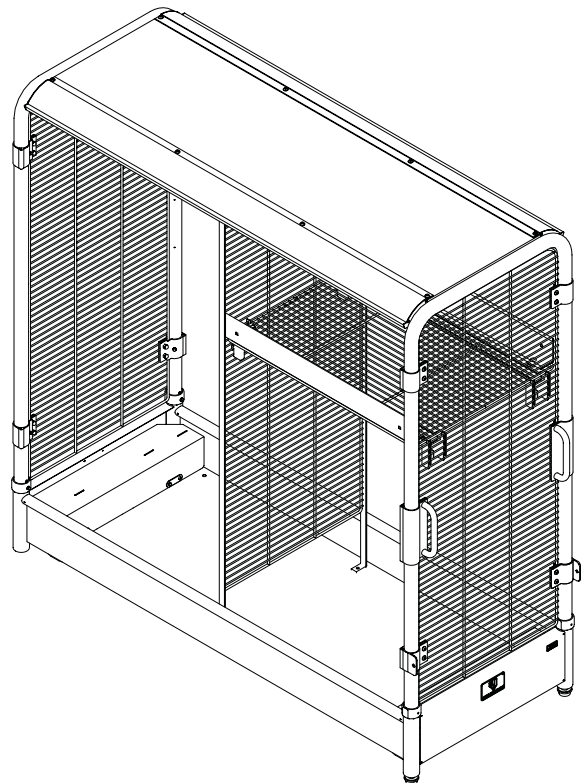
1. Place the Shelf Lip centered at the desired location on the Wire Shelf.



2. Insert the Carriage Bolt through a square hole in the Shelf Lip and secure with a Wing Nut.
3. Repeat for the other end of the shelf.



4. The Shelf Lip Accessory Kit includes two Shelf Lips and mounting hardware for both. Install the other Shelf Lip repeating steps 1 - 4 on the other side of the cart.



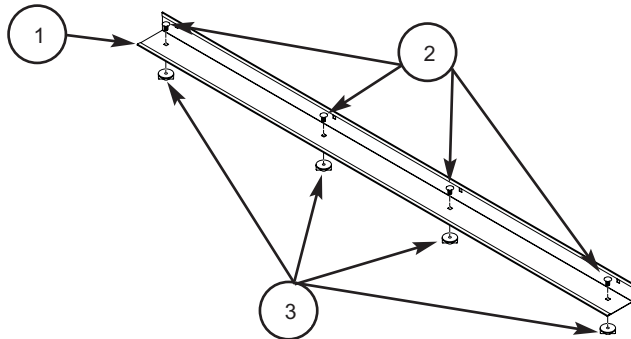
# REPLACEMENT PARTS LIST

---

## FULL LENGTH SHELF LIP ACCESSORY

**Note:** The following parts are contained in the Full Length Garment Bar Accessory Carton. Contact Wenger for replacement part information.

<u>Item</u>	<u>Qty</u>	<u>Description</u>
1	1	Full Length Shelf Lip
2	4	Carriage Bolt
3	4	Wing Nut



---

## HALF LENGTH SHELF LIP ACCESSORY

**Note:** The following parts are contained in the Full Length Garment Bar Accessory Carton. Contact Wenger for replacement part information.

<u>Item</u>	<u>Qty</u>	<u>Description</u>
1	1	Half Length Shelf Lip
2	2	Carriage Bolt
3	2	Wing Nut

