

GearBoss® SportCart™

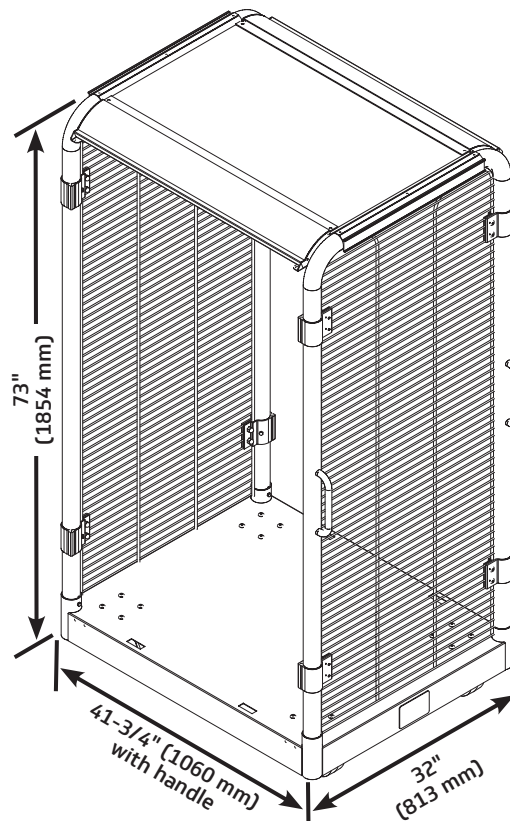
GearBoss is an athletic equipment storage and transportation solution designed to transform your equipment room into a point of pride. GearBoss is a high-density storage solution that uses an innovative system of rolling carts and accessories to reduce the square footage of your storage area. GearBoss units are designed to encourage airflow and improve sanitation and odor issues. Accessories like closure panels and doors can be added for security, and in matching school colors, they present an unmistakable message of program pride. All SportCarts have a ten-year warranty.

Intended Use

- The GearBoss SportCart is intended for use as a mobile storage unit that can also transport equipment closer to points of use such as a gymnasium and can be secured to create storage around your facility
- The GearBoss SportCart is intended for indoor use in normal ambient temperature and humidity conditions - components must not be exposed to prolonged outside weather conditions
- The heavy-duty commercial-grade swivel casters are intended for easy moving on hard surfaces

Specifications

- Welded chassis made from 14-gauge and 12-gauge components
- Upright support tubes constructed from large 2" (51 mm) diameter, 16-gauge steel tubing
- Resistant welded heavy-duty steel wire grille end frames
- Durable powder paint coat finishes
- Various colors available for wire grille ends
- Heavy-duty 5" (127 mm) swivel casters with polyolefin non-marring wheels
- Roof panel constructed from solid 5/8" thermofused composite wood core with aluminum extrusions
- Roof assembly load capacity is 150 lb (68 kg) evenly distributed;
Total cart load capacity is 400 lb (181 kg)
- SportCart dimensions: 41-3/4" w x 73"h x 32"d (1060 x 1854 x 813 mm)
- Approximate weight: 150 lb (68 kg)
- UL GREENGUARD certified - product certified for low chemical emissions: www.ul.com/gg - UL 2818
- Product number: 240A809
- Patent and patents pending
- Shipped ready-to-assemble with detailed instructions; Wenger assembly and installation is optional



SportCart

Accessories

Garment Bar

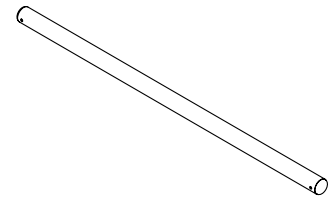
- Designed to be installed using two accessory hanger brackets
- Designed to be used with standard garment hangers and supports up to 80 jerseys
- Durable black powder-coat paint finish
- Shipped ready to be installed, no tools required
- Dimensions: 37-1/2" (953 mm) x 1-1/2" OD
- Rated for 100 lb (45 kg) evenly distributed
- Product number: 240A079

Metal Wire Shelves

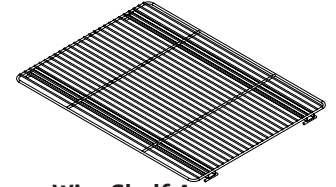
- Designed to be installed using four accessory hanger brackets per shelf
- Resistant welded construction of 3/16" and 5/16" (0.1875" and 0.3125") metal wires
- Shipped ready to be installed, no tools required
- Rated for 150 lb (68 kg) evenly distributed
- Dimensions: 37"w x 27-5/8"d (940 x 702 mm)
- Approximate weight: 20 lb (9 kg)
- Product number: 240A140

Swing Door & Side Closure Accessory

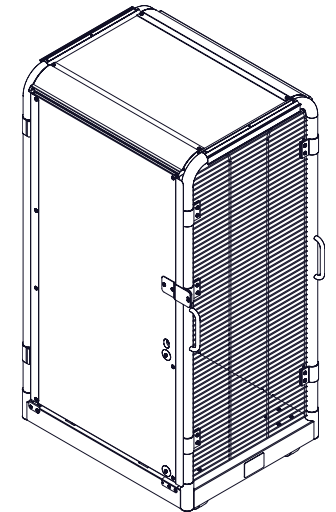
- Lockable door for added security
- Can be ordered in a variety laminate colors
- Made from solid 5/8" thermofused composite wood core with black polyester edge banding
- Shipped ready-to-assemble
- Dimensions: swing door 34-1/8"w x 63-1/2"h (867 x 1613 mm); Side closure 34-7/8"w x 65-5/8"h (886 x 1667 mm)
- Approximate weight: swing door 52 lb (24 kg); Side closure 41 lb (19 kg)
- Product number: 240A189



Garment Bar Accessory



Wire Shelf Accessory



Swing Door & Side Closure Accessory

Wenger®

JRCLANCY

GEARBOSS®

© 2024 Wenger Corporation
USA/2024-03

Minnesota Location

Wenger Phone 800.4WENGER (493-6437) Wenger Worldwide +1.507.455.4100 | Parts & Service 800.887.7145 | wengercorp.com
GearBoss Phone 800.493.6437 | gearboss.com
555 Park Drive, PO Box 448 | Owatonna | MN 55060

New York Location

J.R. Clancy Phone 800.836.1885 JR Clancy Worldwide +1.315.451.3440 | jrclancy.com | 7041 Interstate Island Road | Syracuse | NY 13209