

### Contents

Important User Information . . . . .	2	Swing Door Installation . . . . .	5
General . . . . .	2	Before Starting the Swing Door Installation . . . . .	5
Manufacturer . . . . .	2	Determine Left or Right Installation . . . . .	5
Intended Use . . . . .	2	Attach Door Brackets . . . . .	6
Warranty . . . . .	2	Attach Knuckle Brackets . . . . .	7
Safety . . . . .	3	Attach Swing Door . . . . .	8
Required Tools . . . . .	3	Attach Swing Door Lock . . . . .	9
Fasteners and Parts List . . . . .	3	Attach Closure Panel . . . . .	10
Fasteners . . . . .	3	Replacement Parts List . . . . .	11
Swing Door and Side Closure . . . . .	4		



Visit the GearBoss web page at [www.gearboss.com](http://www.gearboss.com) for detailed instructions and videos.

**Note:** Please read and understand the instructions before attempting assembly, installation or use.

**Note:** If you need additional information, contact Wenger Corporation using the information below.

# ***Important User Information***

---

## ***General***

Copyright © 2015 by Wenger Corporation

All rights reserved. No part of the contents of this manual may be reproduced, copied, or transmitted in any form or by any means including graphic, electronic, or mechanical methods or photocopying, recording, or information storage and retrieval systems without the written permission of the publisher, unless it is for the purchaser's personal use.

Printed and bound in the United States of America.

The information in this manual is subject to change without notice and does not represent a commitment on the part of Wenger Corporation. Wenger Corporation does not assume any responsibility for any errors that may appear in this manual.

In no event will Wenger Corporation be liable for technical or editorial omissions made herein, nor for direct, indirect, special, incidental, or consequential damages resulting from the use or defect of this manual.

The information in this document is not intended to cover all possible conditions and situations that might occur. The end user must exercise caution and common sense when assembling or installing Wenger Corporation products. If any questions or problems arise, call Wenger Corporation at 1-800-887-7145.

## ***Manufacturer***

The GearBoss SportCart Swing Doors and Side Closure Accessories are manufactured by:

Wenger Corporation  
555 Park Drive  
Owatonna, MN 55060  
(800) 4WENGER (493-6437) • +1 (507) 455-4100  
[www.wengercorp.com](http://www.wengercorp.com)

## ***Intended Use***

- This product is intended for indoor use in normal ambient temperature and humidity conditions — it must not be exposed to outside weather conditions.
- This product is intended to be installed only as described in these instructions.

## ***Warranty***

This product is guaranteed free of defects in materials and workmanship for five full years from date of shipment. A full warranty statement is available upon request.




## Safety Precautions

---

Throughout this manual you may find cautions and warnings which are defined as follows:

- **WARNING** means that failure to follow the instruction may result in serious injury or death.
- **CAUTION** means that failure to follow the instruction may result in serious injury or damage to property.

Read all of these safety instructions before assembling and installing the Swing Door and Side Closure.

 <p><b>CAUTION</b></p> <p><i>Make sure anyone installing the Swing Door and Side Closure Accessory has read and understands these instructions.</i></p>	 <p><b>CAUTION</b></p> <p><i>Failure to comply with Warnings and Cautions in this document and on the system equipment can result in damage to property or serious injury.</i></p>	 <p><b>CAUTION</b></p> <p><i>Never stand on a SportCart while working on it.</i></p>
--	---	---

## Required Tools

---

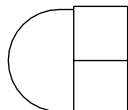
- Electric Drill
- 9/16" Combination Wrench
- 7/16" Combination Wrench
- 6" Ruler
- Phillips Drive Bit
- Carpenter's Square
- Mallet
- 7/32" Allen Wrench

## Fasteners and Parts List

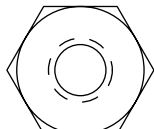
---

### Fasteners

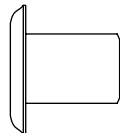
The fasteners shown below are contained in the Hardware Pack.  
Any fasteners remaining when the installation is complete can be discarded.



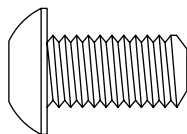
Acorn Nut,  
3/8-16



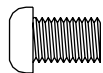
Lock Nut, NY.IN, Full  
1/4 x 20



Joint Connector Nut,  
1/4-20



Socket Button Head Screw,  
3/8 - 16 x 7/8"

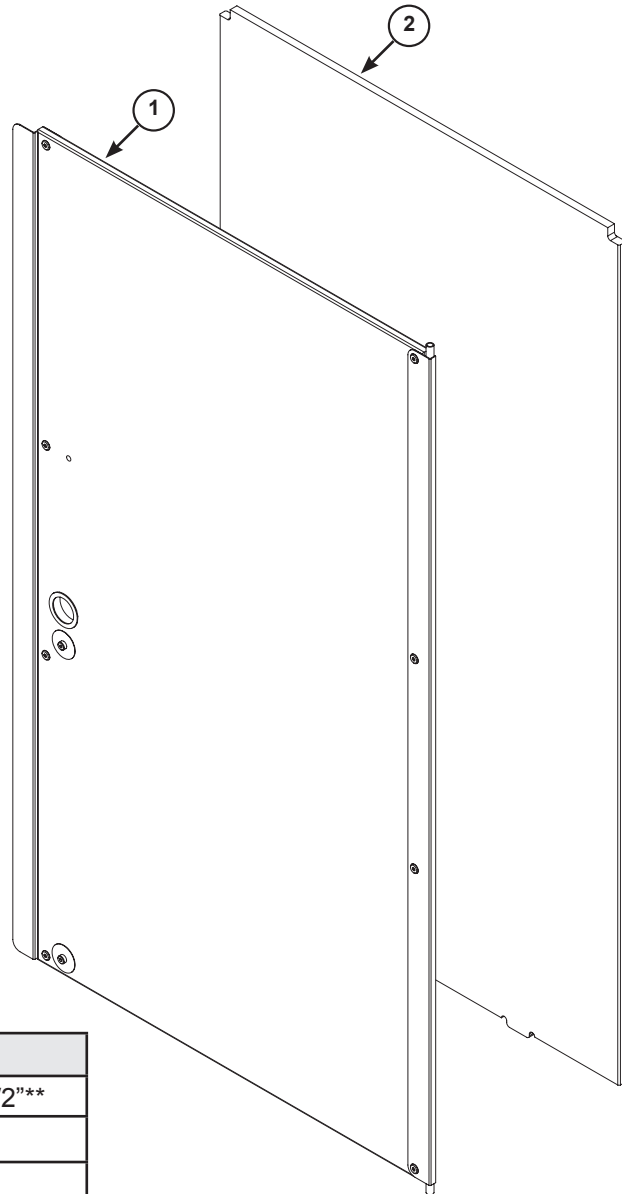


Pan Head Screw,  
1/4 - 20 x 1/2"

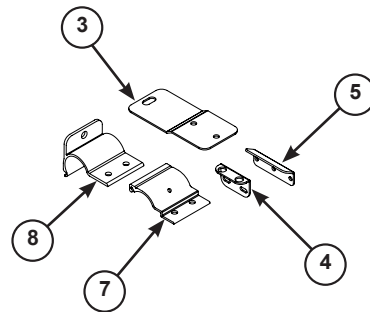
## Fasteners and Parts List (continued)

### Swing Door & Side Closure

Item	Qty	Description
1	1	Swing Door Panel Assembly
2	1	Closure Panel



Item	Qty	Description
1	6	Screw, Phillips Pan Head, 1/4-20 x 1/2"***
2	2	Nut, Joint Connector**
3	1	Bracket, Door Lock, HC, CF
4	1	Bracket, Door Pivot, Lower, HC, CF
5	1	Bracket, Door Latch, HC, CF
6	4	Nut, Lock, NY.IN, 1/4-20**
7	1	Knuckle, Half A, Painted, CF
8	1	Knuckle, Half B, Lock, Painted, CF
9	2	Nut, Acorn, 3/8-16**
10	2	Screw, Socket Button Head, 3/8-16 x 7/8"***
	**	Not shown, refer to "Fasteners" section



# Swing Door Installation

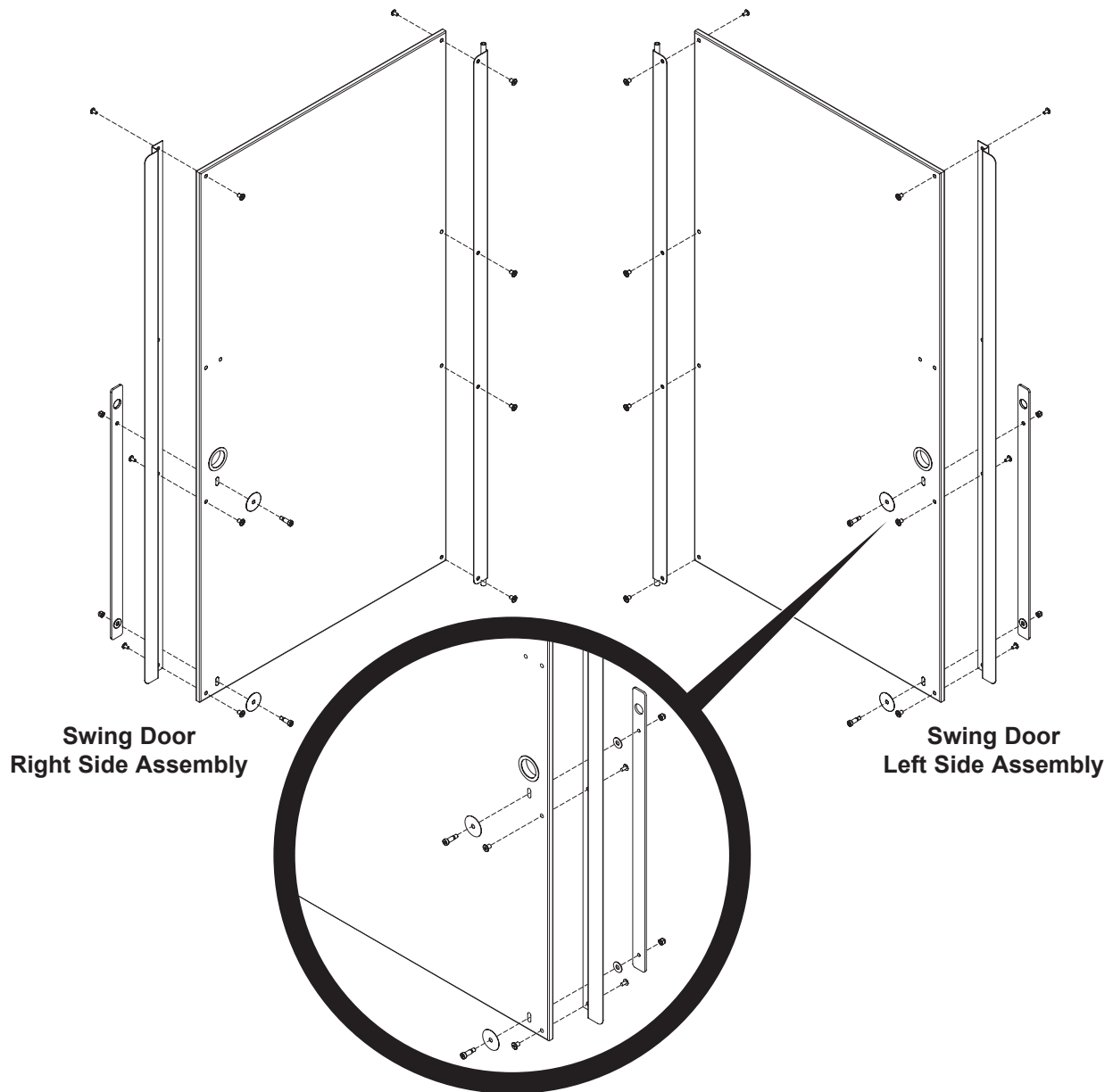
---

## Before Starting the Swing Door Installation

1. Move the Swing Door Accessory Carton to the work area (it is best to use a work table).
2. Open the Carton and inventory the contents. Make sure that all of the required items listed previously are present including the Hardware items.

## Determine Left or Right Side Installation

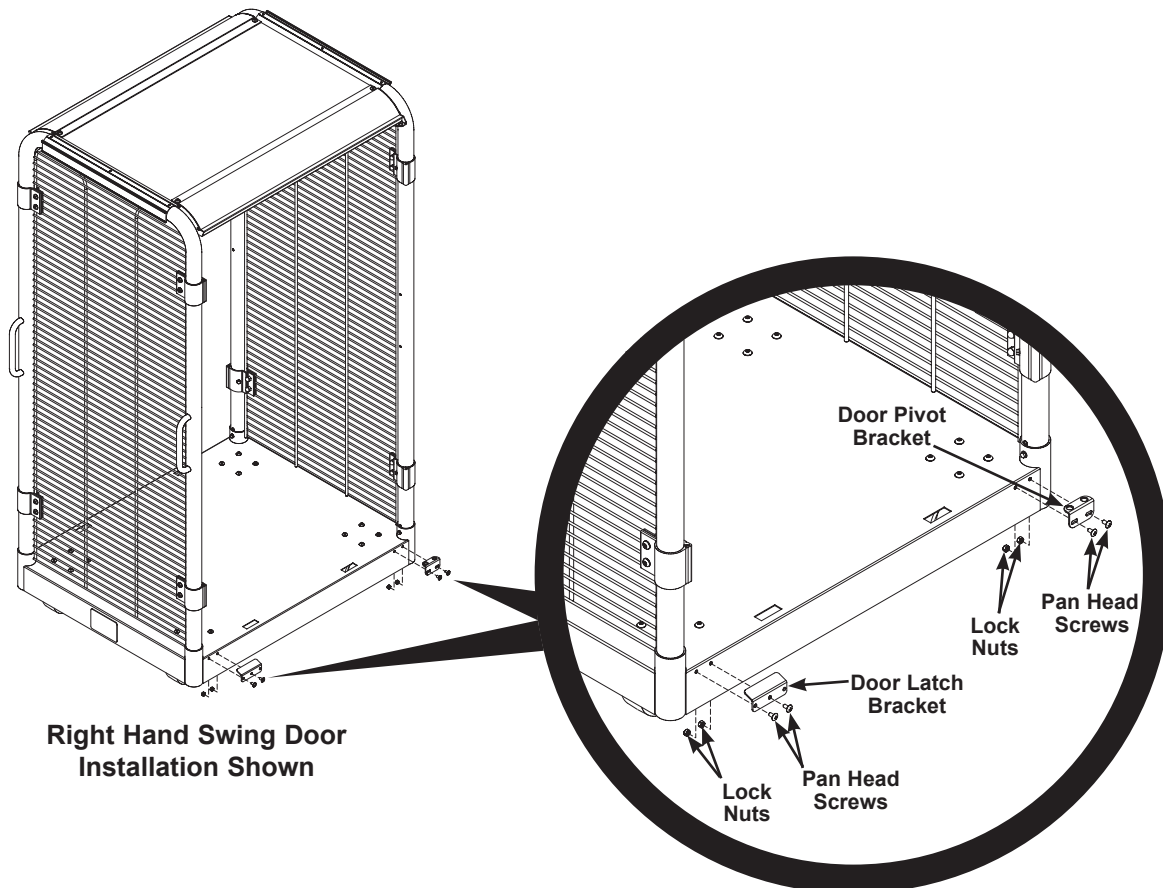
**Note:** The Swing Door is pre-assembled for installation on the the Right side of the SportCart. For a left side installation, the Swing Door must be re-assembled as shown below.



## Swing Door Installation (continued)

### Attach Door Brackets

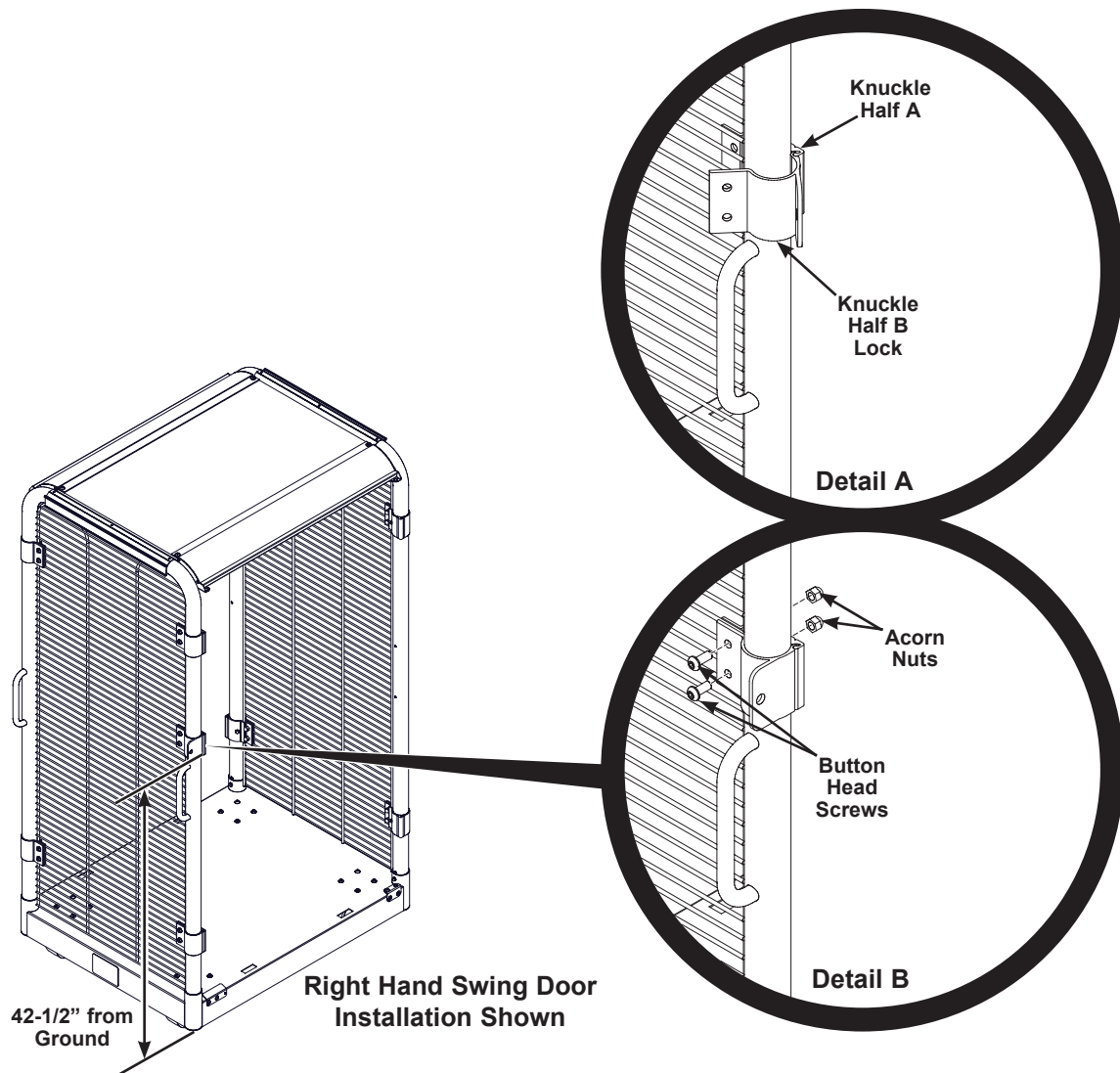
1. Attach the Door Pivot Bracket to the chassis using two 1/4-20 x 1/2" Pan Head Screws and two 1/4-20 Lock Nuts.
2. Attach the Door Latch Bracket to the chassis using two 1/4-20 x 1/2" Pan Head Screws and two 1/4-20 Lock Nuts in the holes shown below.



## Swing Door Installation (continued)

### Attach Knuckle Brackets

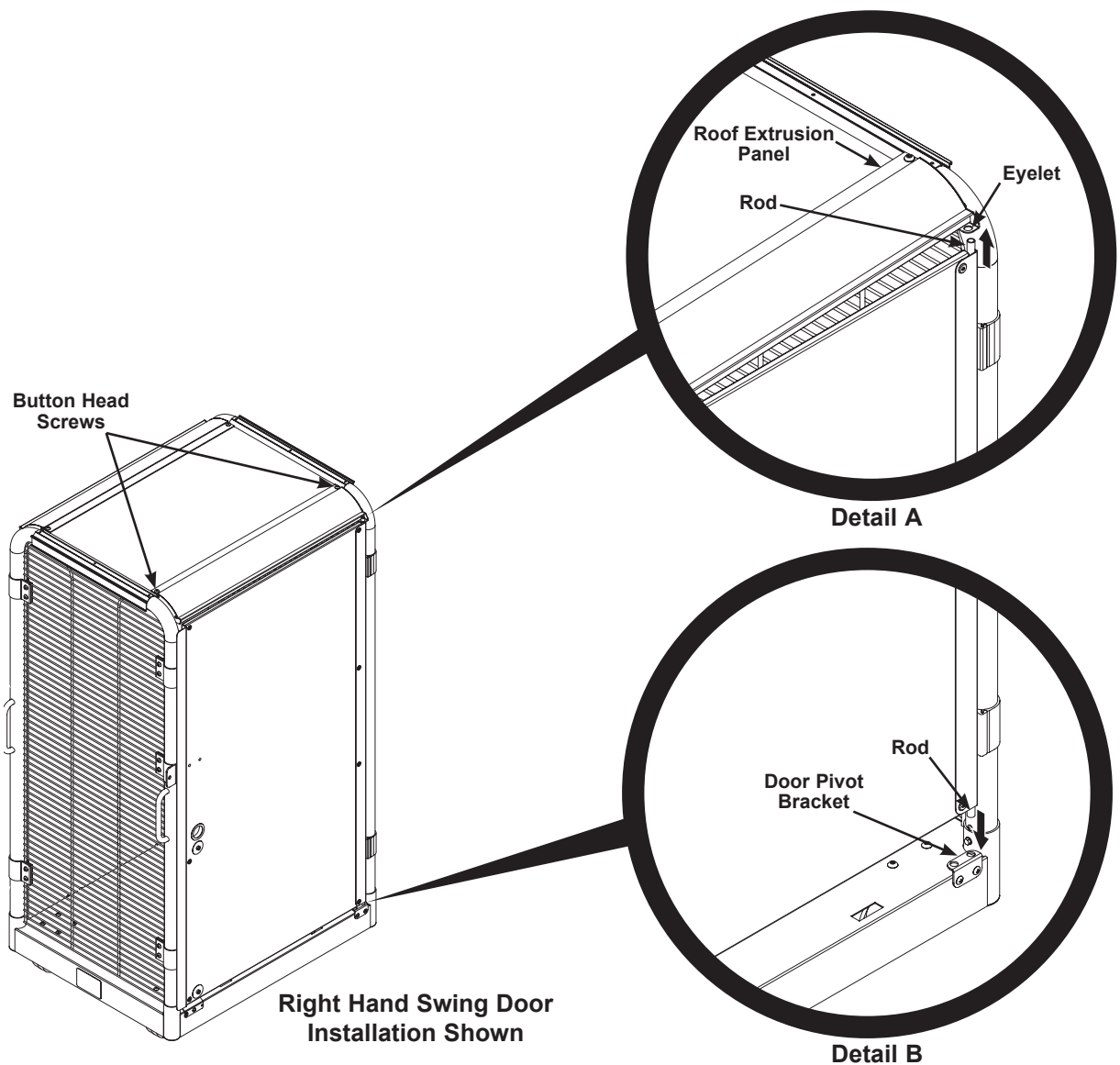
1. Slide both Knuckles together and place them over the Front End Panel 42-1/2" from the floor as shown below in Detail A.
2. Connect the two Knuckles together using two 3/8-16 x 7/8" Button Head Screws and two 3/8-16 Acorn Nuts as shown below in Detail B.



## Swing Door Installation (continued)

### Attach Swing Door

1. On the side of the SportCart that has the Door Brackets installed, loosen the two Button Head Screws on the Roof Extrusion Panel enough so that it can be raised slightly.
2. Place the Rod on the bottom of the Swing Door into the first hole of the Door Pivot Bracket as shown below in Detail B.
3. Raise the Roof Extrusion Panel and insert the Rod on the top of the Swing Door into the Door Eyelet as shown below in Detail A.
4. Lower the Roof Extrusion Panel and tighten the two Button Head Screws.
5. Check the Swing Door for alignment.  
When closed, the top edge of the Swing Door should be parallel with the roof.  
If necessary, adjust the alignment by loosening the Pan Head Screws on the Door Pivot Bracket and sliding it forward or backward.



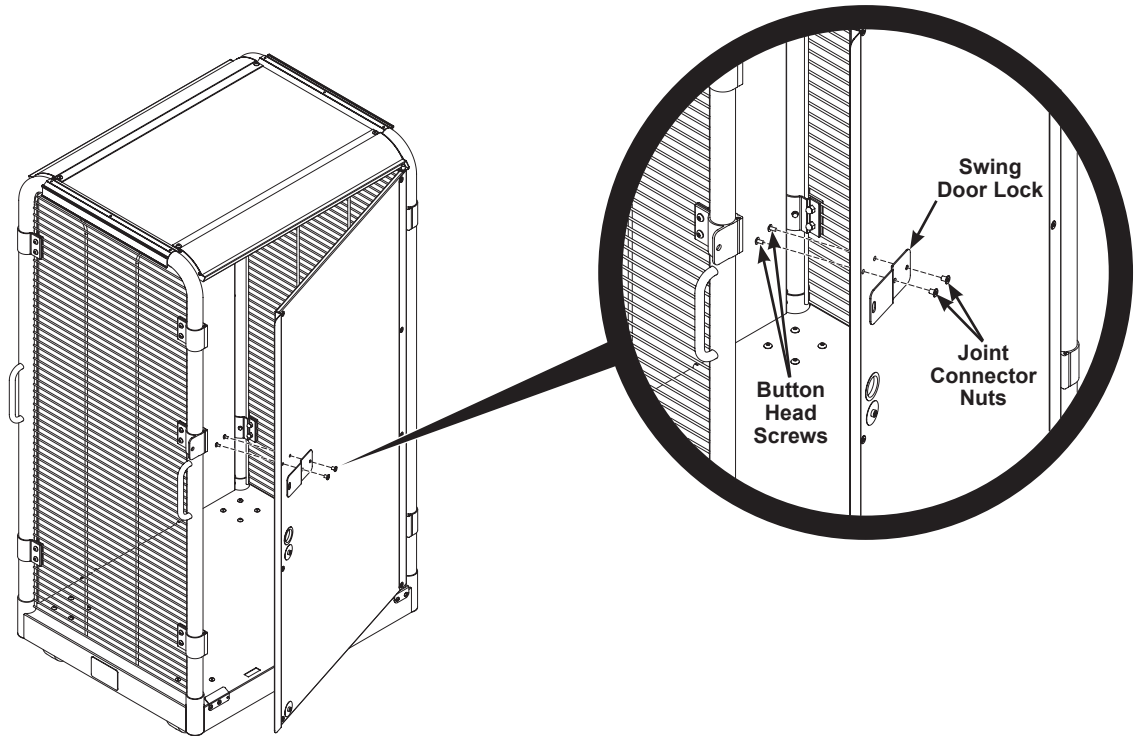


## **Swing Door Installation (continued)**

---

### **Attach Swing Door Lock**

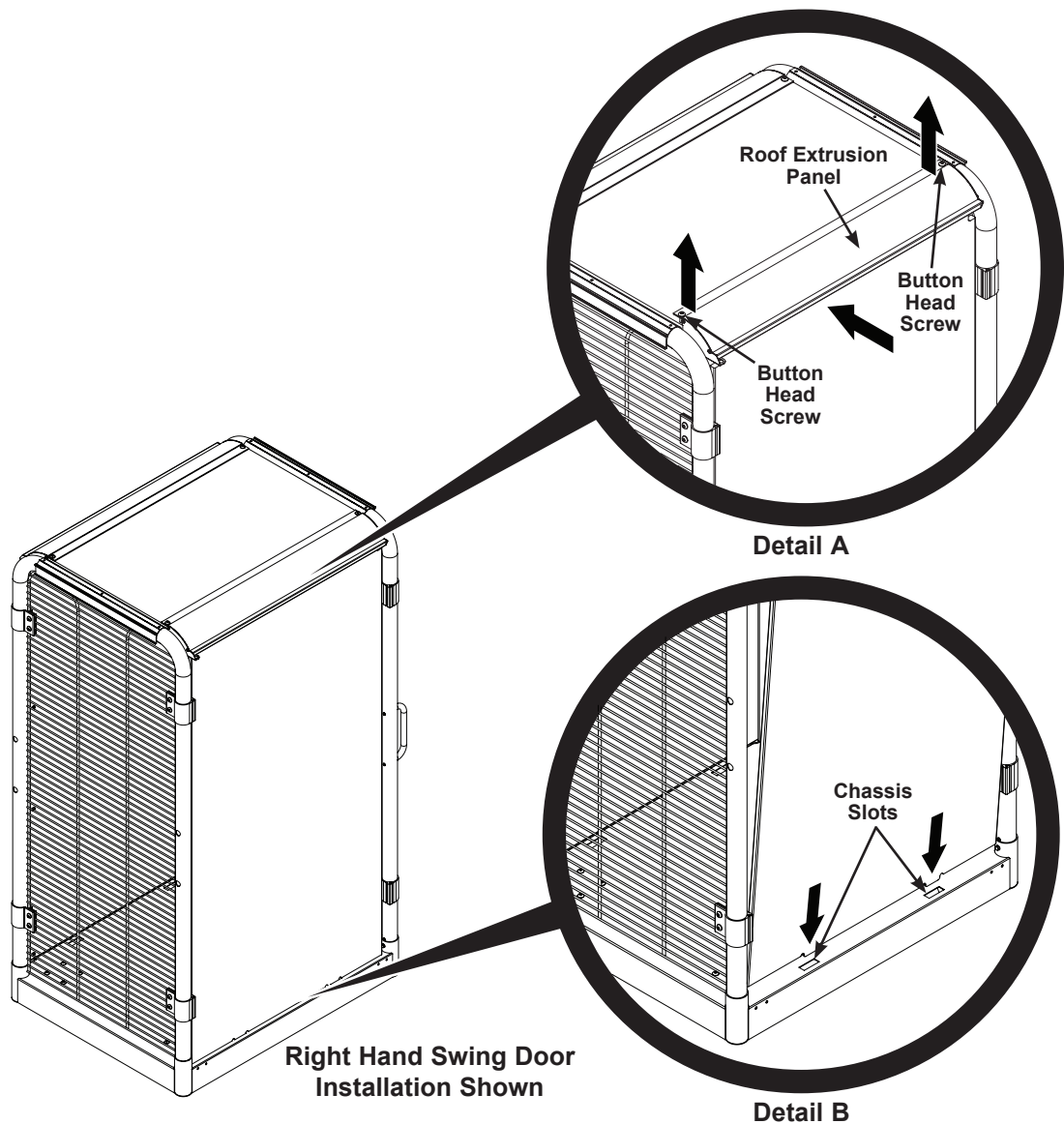
1. Attach the Swing Door Lock to the Swing Door using two 1/4-20 Joint Connector Nuts and two 1/4-20 x 1/2" Button Head Screws as shown below.



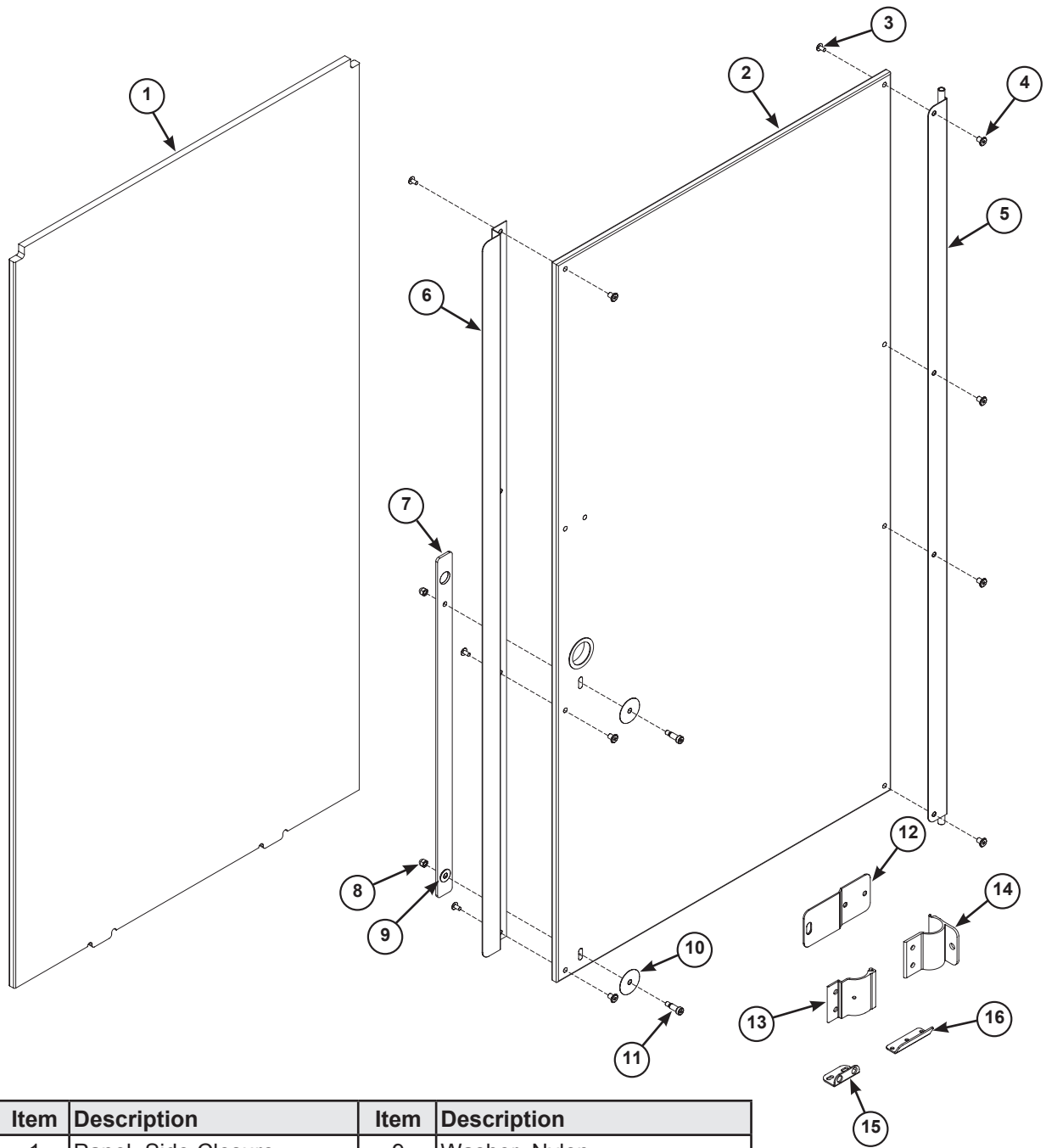
## Swing Door Installation (continued)

### Attach Closure Panel

1. On the opposite side of the Sportcart that has the Swing Door installed, loosen the two Button Head Screws on the Roof Extrusion Panel enough so that it can be raised slightly.
2. Slide the bottom tabs of the Closure Panel into the slots in the bottom of the chassis as shown below in Detail B.
3. Raise the Roof Extrusion Panel and insert the top edge of the Closure Panel under the Roof Extrusion Panel as shown below in Detail A.
4. Lower the Roof Extrusion Panel onto the Closure Panel (use a mallet if needed) and tighten the two Button Head Screws.



# Replacement Parts List



Item	Description	Item	Description
1	Panel, Side Closure	9	Washer, Nylon
2	Panel, Door	10	Washer, Fiber
3	Screw, PPH, 1/4-20 x 1/2	11	Bolt, Shoulder, 5/16-18 x 3/4
4	Nut, Joint Connector	12	Bracket, Door Lock
5	Door Pivot Weldment	13	Knuckle, Half A
6	Bracket, Door Stop	14	Knuckle, Half B
7	Plate, Door Lock	15	Bracket, Door Pivot, Lower
8	Nut, Acorn, 5/16-18	16	Bracket, Door Latch

This page is intentionally blank.