

## CONTENTS

WARRANTY .....	2
USER INFORMATION .....	2
SAFETY .....	3
PART/FASTENER LIST .....	3
INSTALLATION SPORTCART TRACK BRACKET .....	4
INSTALLATION FLOOR TRACK .....	5-6
REPLACEMENT PARTS LIST .....	7

**Note:** Please read and understand the SportCart Track Bracket Operating Instructions before assembling the parts.

**Note:** Remove all items from the shipping cartons and arrange them in their approximate final position. Refer to the illustrations on the following pages. If you need additional information about your SportCart Track Bracket, write or telephone Wenger Corporation at the number below.

# WARRANTY

---

The SportCart Track Bracket is guaranteed free of defects in materials and workmanship for five full years.

Our guarantee assures you of either a full refund or repair or replacement of the defective materials or workmanship without charge, at the discretion of our Customer Service Department.

Just call a Customer Service Representative at 1-800-887-7145 and state the reason you are dissatisfied. If a product return is necessary, your representative will issue a return authorization. This is your sole remedy for breach of this warranty.

Should you have a question or problem with any Wenger product, don't hesitate to call, even if the product is past warranty. It's important to us that all our customers be satisfied.

This is the sole warranty made by Wenger. Wenger disclaims all other warranties, including the warranties of merchantability and fitness for a particular purpose, as well as all liability for incidental, consequential, special, and indirect damage. Wenger liability for direct damages shall be limited to the amount you paid for the product involved. Wenger reserves the right to make product changes without obligation and to incorporate such changes into products previously sold.

Some states do not allow the exclusion or limitation of damages or warranties, so the above may not apply to you. This warranty gives you specific legal rights. You may also have other rights which vary from state to state.

## IMPORTANT USER INFORMATION

---

### GENERAL

Copyright® 2008 by Wenger Corporation

All rights reserved. No part of the contents of this manual may be reproduced, copied, or transmitted in any form or by any means including graphic, electronic, or mechanical methods or photocopying, recording, or information storage and retrieval systems without the written permission of the publisher, unless it is for the purchaser's personal use.

Printed and bound in the United States of America.

The information in this manual is subject to change without notice and does not represent a commitment on the part of Wenger Corporation. Wenger Corporation does not assume any responsibility for any errors that may appear in this manual.

In no event will Wenger Corporation be liable for technical or editorial omissions made herein, nor for direct, indirect, special, incidental, or consequential damages resulting from the use or defect of this manual.

The information in this document is not intended to cover all possible conditions and situations that might occur. The end user must exercise caution and common sense when assembling or installing Wenger Corporation products. If any questions or problems arise, call Wenger Corporation at 1-800-733-0393.

### MANUFACTURER

The SportCart Track Bracket is manufactured by:

Wenger Corporation  
555 Park Drive  
Owatonna, MN 55060  
1-507-455-4100 • 1-800-733-0393  
[www.wengercorp.com](http://www.wengercorp.com)

### INTENDED USE

- This product is intended for indoor use in normal ambient temperature and humidity conditions.
- This product is intended to be used only as described in these instructions.

## BEFORE YOU BEGIN

---

Before installing the SportCart Track Bracket, do the following:

- Read and understand the installation/operating instructions.
- Remove all items from the shipping carton and arrange the parts similar to the diagram below.
- Make sure that all parts are present.

## TOOLS REQUIRED

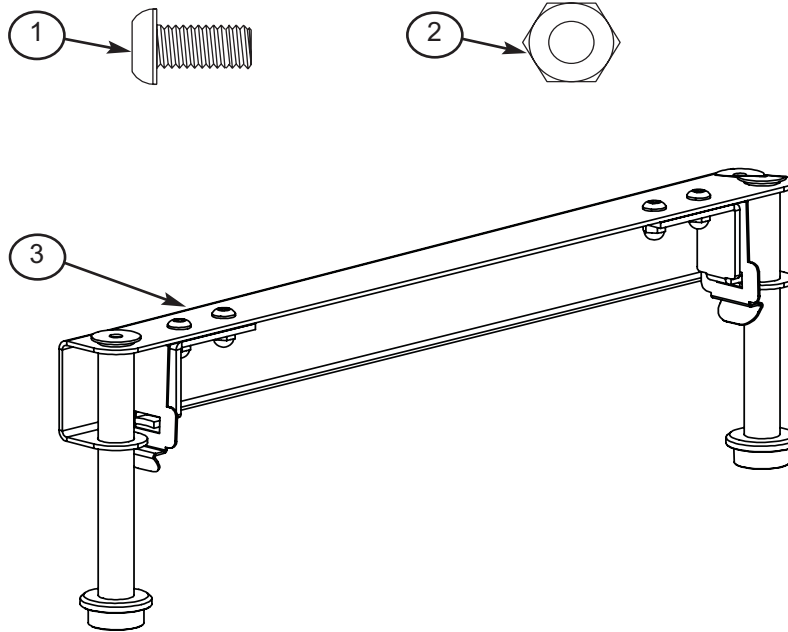
---

Tools required for installing the SportCart Track Bracket are:

- Drill with 3/8" Drill Bit (for SportCart without pre-drilled holes)
- 7/32" Allen Wrench
- 9/16" Open Ended Wrench

## PART/FASTENER LIST

---



Item	Qty.	Description
1	4	Socket Screw, 3/8-16 x 3/4
2	4	Lock Nut, 3/8-16
3	1	SportCart Bracket

**Note:** The Track and Cart are not included.

# INSTALLATION SPORTCART TRACK BRACKET

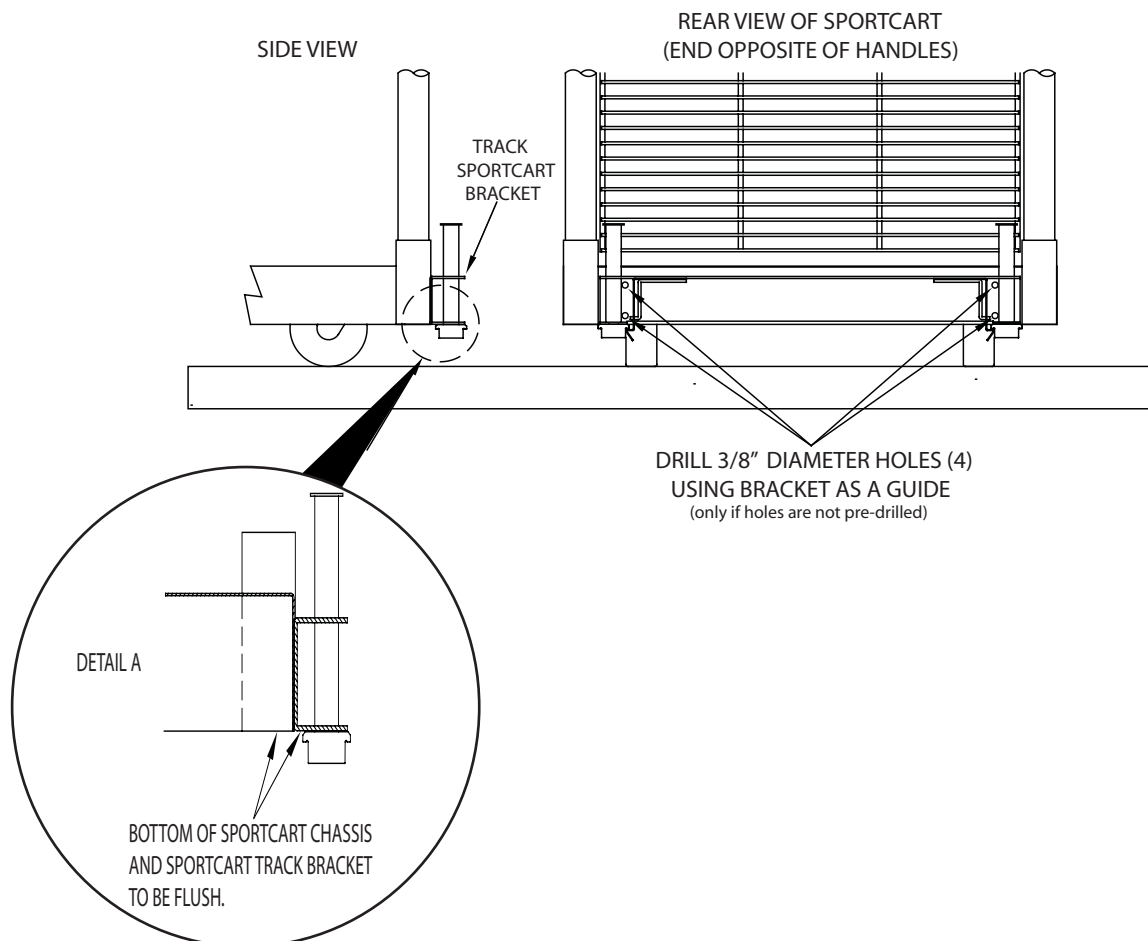
1. Using a pair of locking pliers or two C-Clamps, clamp the Track Follower Bracket to the SportCart chassis, on the end opposite the handles. The SportCart Track Bracket should be centered side-to-side, and positioned vertically as shown in "Detail A".

**Note:** The SportCart may be tipped on it's side if it would be more convenient. **Caution:** Use 2 people to do this, to prevent injury or damage to the SportCart.

2. Using the holes in the Track Follower Bracket as a guide, drill 4 holes in the SportCart chassis, 3/8" diameter.

**Note:** Only drill holes if they are not present in the chassis. Use existing holes if they are present.

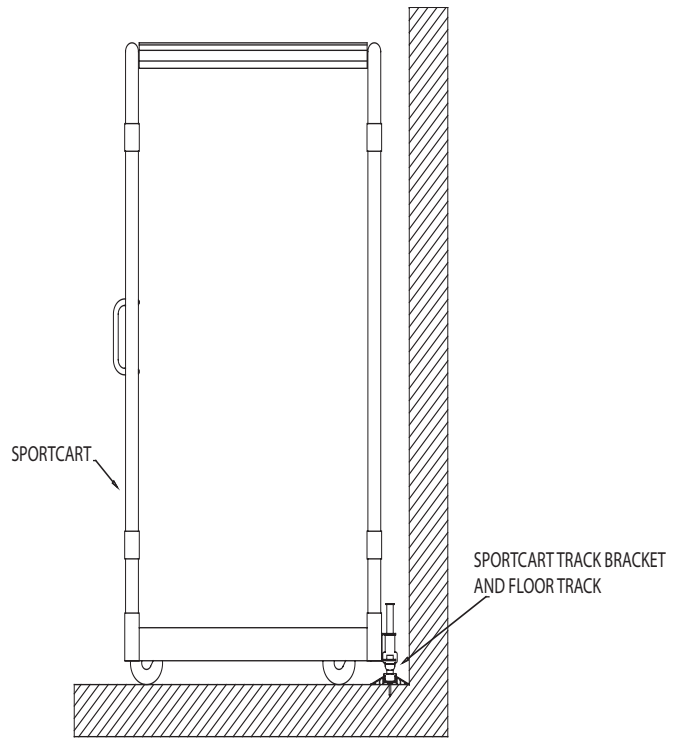
3. Install the bolts and nuts and tighten securely.



# INSTALLATION OF THE FLOOR TRACK

SportCarts are usually stored next to a wall. For the best fit to the wall, the Floor Track should be installed as close to the wall as possible.

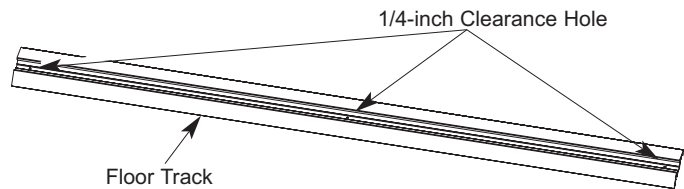
If the SportCart will be placed in the middle of a room, it is recommended that the SportCarts be fitted with the Track Bracket first. Then use the SportCart to determine the correct position for the Floor Track.



TYPICAL INSTALLATION  
(CLOSE TO WALL)

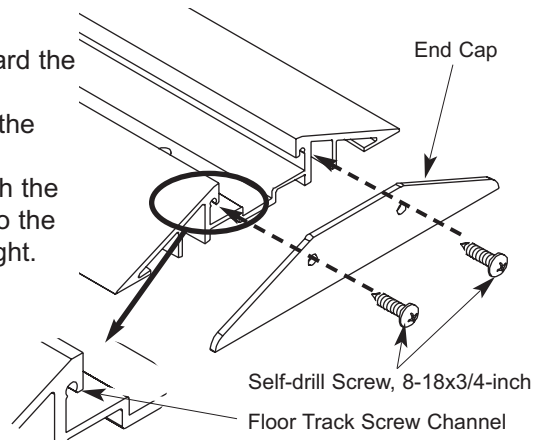
## ATTACH THE FLOOR TRACK TO THE FLOOR

The Floor Track is attached to the floor surface by anchoring it with the appropriate fasteners at the three 1/4-inch clearance holes in the Floor Track. The anchors supplied with the floor track are for concrete floors. Different anchors may be required for other materials.



To attach the Floor Track, do as follows.

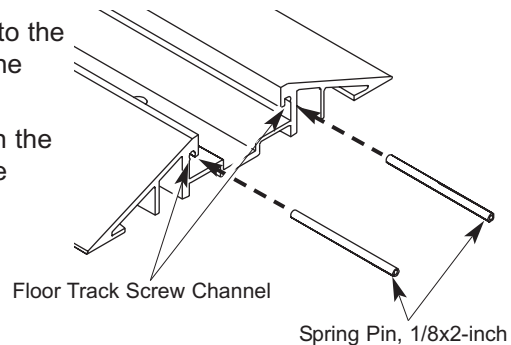
1. If a Floor Track end will be butted against the wall, discard the End Cap and Self-drill Screws.
2. If the end of the Floor Track will be exposed, assemble the End Cap to the exposed end of the Floor Track.
  - a. Use a cordless drill and a phillips drive bit and attach the End Cap with two Self-drill Screws, 8-18x3/4-inch, to the two Floor Track Screw Channels as shown at the right.
3. Mark the location of the three holes with a pencil.
4. Using the appropriate fasteners (concrete anchors are supplied), anchor the Floor Track at the three marks.



# INSTALLATION OF THE FLOOR TRACK CONTINUED

## ATTACH THE FLOOR TRACK TO THE FLOOR (CONTINUED)

5. Anchor the second Floor Track as follows.
  - a. Using a mallet, drive two Spring Pins half way into the two Floor Track Screw Channels on the end of the anchored Floor Track.
  - b. Place the second Floor Track onto the floor and align the Floor Track Screw Channels to the Spring Pins in the Anchored Floor Track.

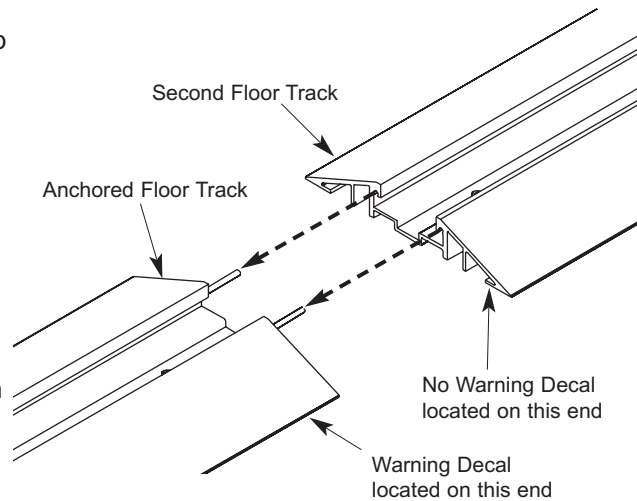


**Note:** Each Floor Track has a set of warning decals on one end. Always place the Floor Track end ***with a warning decal*** next to the Floor Track end ***without a warning decal***.

- c. Use a mallet and a block of wood and tap the second Floor Track onto the Anchored Floor Track Spring Pins.

**Note:** Take care to not bend the Spring Pins when driving the Track onto the Pins.

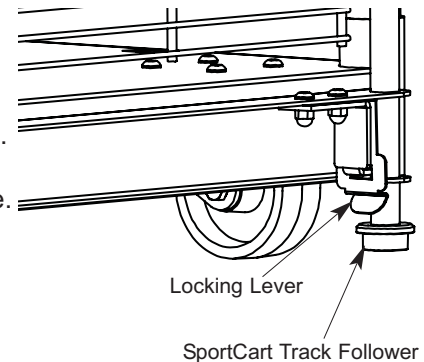
- d. Anchor the second Floor Track to the floor as done in previous steps.



6. Anchor additional Floor Tracks as required. If the last Floor Track to be anchored is too long to fit in the room, use a circular saw with an all-purpose blade to cut the Floor Track to the correct length. Discard the unused piece of track and use a file to remove any burrs from the cut end of the Floor Track.

## PLACE THE CART ONTO THE FLOOR TRACK

1. Move the SportCart to the Track.
  - a. Place the Track Followers into the Track Follower Channel.
  - b. To remove a SportCart from the Track, retract the Track Followers by pulling each one upward until it locks in place. Release the Track Follower by pulling the locking lever away from the Follower.

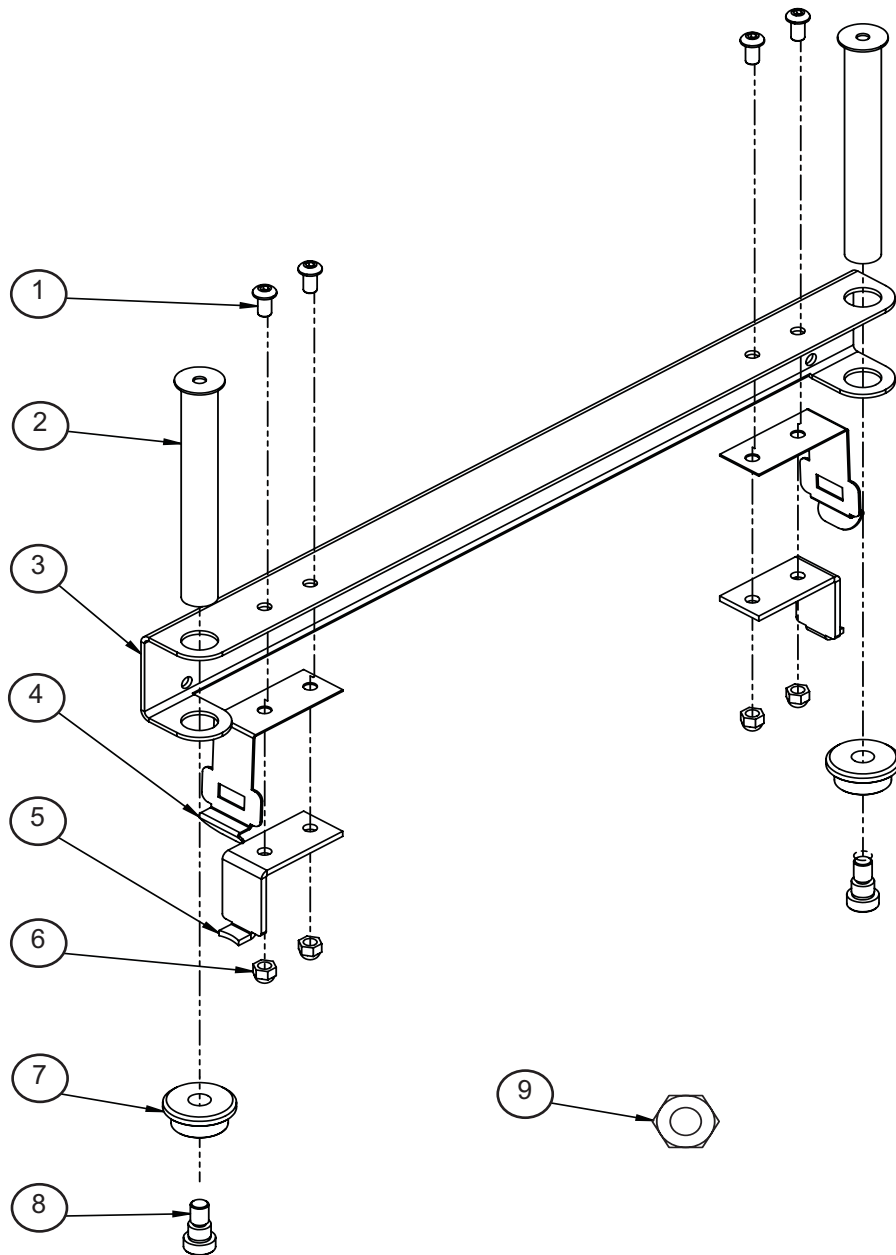


## MOVING CARTS

**Warning!** When moving SportCarts, always observe all Warnings and Cautions listed in the Safety Section. Failure to observe this warning can result in serious injury or damage to property.

1. Always move SportCarts slowly when engaged in the Floor Track — ***not more than one foot per second*** (slow walk).
2. When moving any Cart (engaged in the Floor Track or disengaged from the Floor Track), make sure that people do not have hands or feet in the Cart pathway.

# SPORTCART TRACK BRACKET REPLACEMENT PARTS



Item	Qty.	Description
1	8	Socket Screw, 3/8-16 x 3/4
2	2	Plunger
3	1	SportCart Track Bracket
4	2	Plunger Clip
5	2	Plunger Backer
6	4	Acorn Nut, 3/8-16
7	2	Plastic Roller
8	2	Shoulder Bolt, 1/2-13 x 1/2
9	4	Lock Nut, 3/8-16