

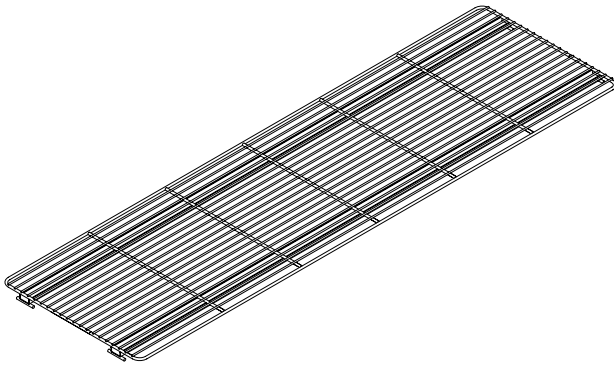
**Basic Instructions only!**  
 For more detailed product information, refer to the  
**GearBoss High-Density Storage System Owner's Manual 240A099.**

**⚠ CAUTION**

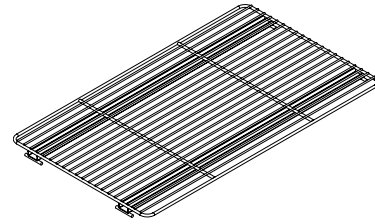
*Make sure anyone assembling, installing or using this product has read and understands these instructions.*

**⚠ CAUTION**

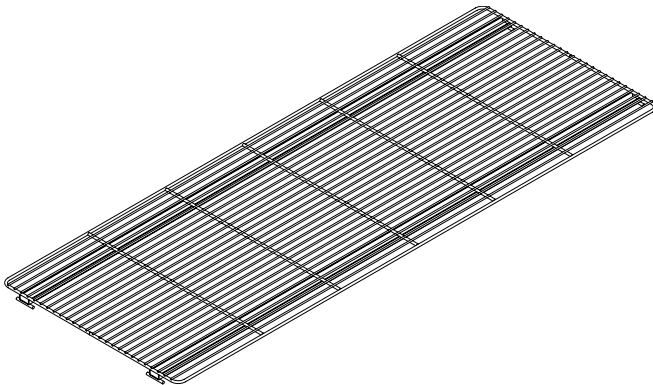
*Failure to comply with Warnings and Cautions in this document or on the equipment can result in damage to property or serious injury.*



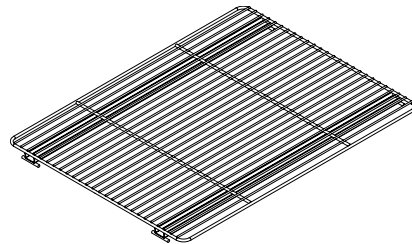
**24" (610 mm) Full Length Shelf**



**24" (610 mm) Half Length Shelf**



**32" (813 mm) Full Length Shelf**



**32" (813 mm) Half Length Shelf**

## Contents

Full Length Storage Shelf Installation . . . . . 2	Replacement Parts . . . . . 4
Half Length Storage Shelf Installation . . . . . 3	



Visit the GearBoss High-Density Storage System web page at [gearboss.com](http://gearboss.com) for more information.

**Note:** Please read and understand these instructions before proceeding.  
**Note:** If you need additional information, contact Wenger Corporation using the information below.

# Full Length Storage Shelf Installation

## CAUTION

Maximum load capacity rating for all storage shelves is 150 lb (68 kg).

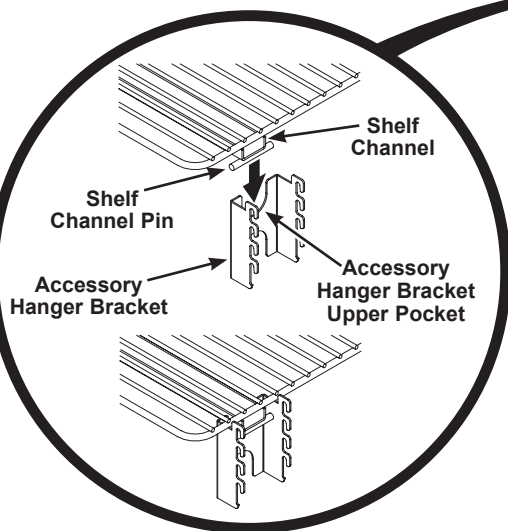
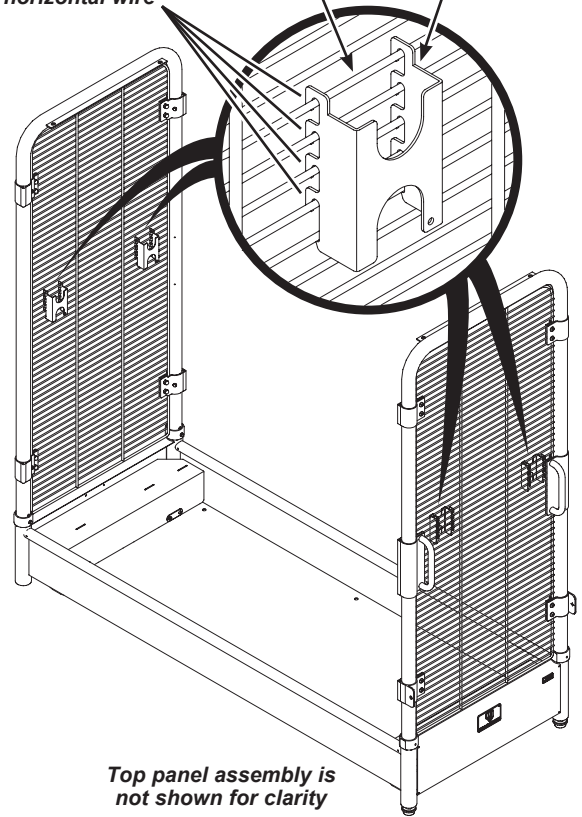
## NOTICE

Installation of the 24" (610 mm) storage shelf and the 32" (813 mm) storage shelf is the same.

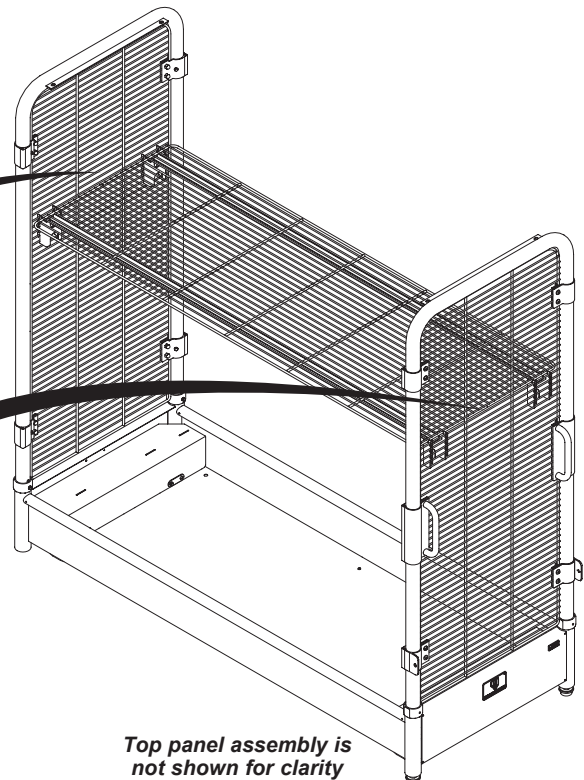
Two 24" (610 mm) storage shelves can be installed side-by-side on a 48" (1219 mm) cart.

1. Attach two accessory hanger brackets to each end frame wire-grille end panel.
  - a. Place the accessory hanger bracket hooks onto the wire-grille end panel horizontal wires.
  - b. Make sure that both accessory hanger brackets are at the same height.
2. Install the storage shelf.
  - a. Align the four storage shelf channels with the four accessory hanger brackets.
  - b. Adjust the location of the accessory hanger brackets as necessary.
  - c. Fit the storage shelf channels and channel pins into each accessory hanger bracket upper pocket.

Accessory hanger hooks onto wire-grille end panel horizontal wire  
Wire-grille End Panel  
Accessory Hanger Bracket



Wire-grille end panel is not shown for clarity



Top panel assembly is not shown for clarity

# Half Length Storage Shelf Installation

## CAUTION

Maximum load capacity rating for all storage shelves is 150 lb (68 kg).

## NOTICE

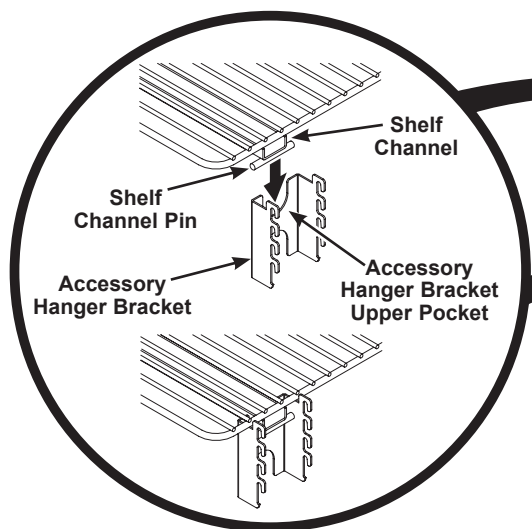
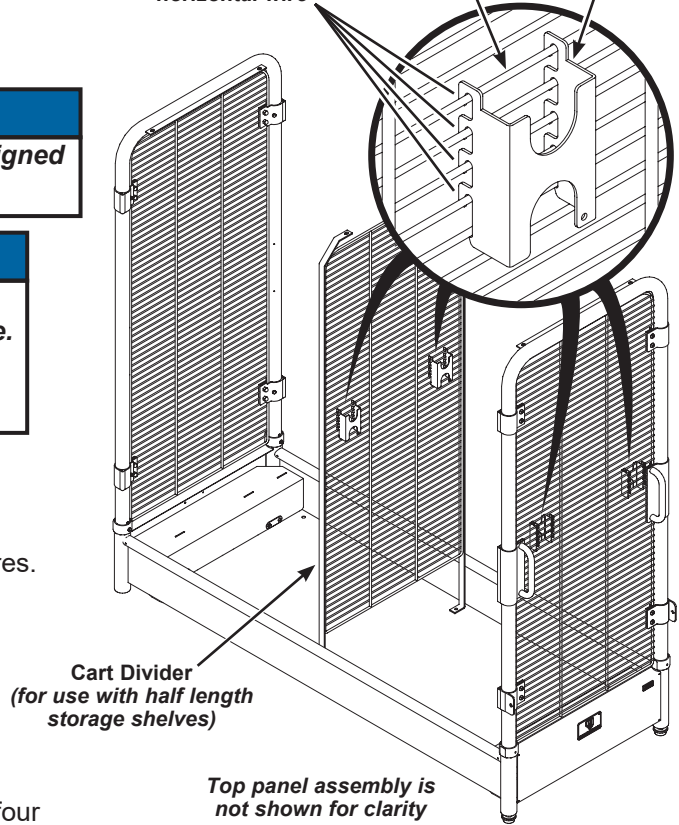
The half length storage shelf accessory is designed to be used with the grille divider accessory.

## NOTICE

Installation of the 24" (610 mm) storage shelf and the 32" (813 mm) storage shelf is the same. Two 24" (610 mm) storage shelves can be installed side-by-side on a 48" (1219 mm) cart.

1. Attach two accessory hanger brackets to an end frame wire-grille end panel.
  - a. Place the accessory hanger bracket hooks onto the wire-grille end panel horizontal wires.
  - b. Make sure that both accessory hanger brackets are at the same height.
2. Attach two accessory hanger brackets to the cart divider at the same height as the brackets in step 1.
3. Install the storage shelf.
  - a. Align the four wire shelf channels with the four accessory hanger brackets.
  - b. Adjust the location of the accessory hanger brackets as necessary.
  - c. Fit the wire shelf channels and channel pins into each accessory hanger bracket upper pocket.

Accessory hanger hooks onto wire-grille end panel horizontal wire  
Wire-grille End Panel  
Accessory Hanger Bracket



Wire-grille end panel is not shown for clarity

Top panel assembly is not shown for clarity

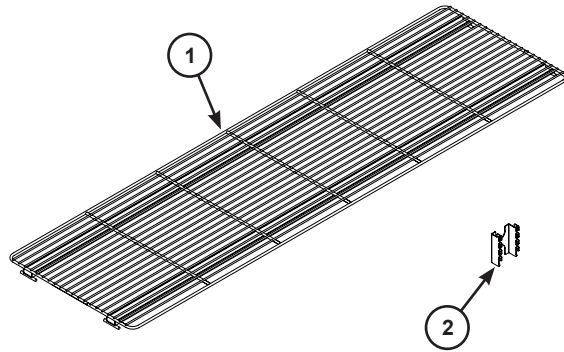
# Replacement Parts

## 24" (610 mm) Full Length Storage Shelf

### NOTICE

Always specify the width when ordering a shelf.

Item	Qty	Description
1	1	24" (610 mm) Full Length Storage Shelf
2	4	Accessory Hanger Bracket

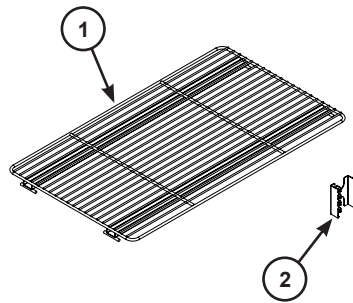


## 24" (610 mm) Half Length Storage Shelf

### NOTICE

Always specify the width when ordering a shelf.

Item	Qty	Description
1	1	24" (610 mm) Half Length Storage Shelf
2	4	Accessory Hanger Bracket

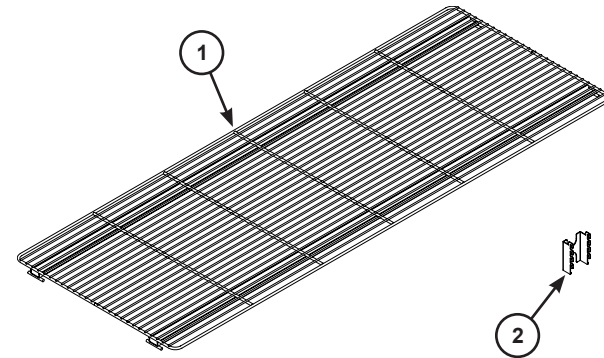


## 32" (813 mm) Full Length Storage Shelf

### NOTICE

Always specify the width when ordering a shelf.

Item	Qty	Description
1	1	32" (813 mm) Full Length Storage Shelf
2	4	Accessory Hanger Bracket



## 32" (813 mm) Half Length Storage Shelf

### NOTICE

Always specify the width when ordering a shelf.

Item	Qty	Description
1	1	32" (813 mm) Half Length Storage Shelf
2	4	Accessory Hanger Bracket

