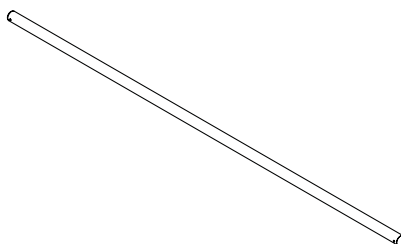
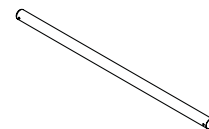


Truss Bar



Full Length Garment Bar



Half Length Garment Bar

CONTENTS

Safety	2
General	2
Installation	2
Warranty	2
Important User Information	3
Installation	3
Intended Use	3
Truss Bar Installation	4
Garment Bar Installation	5
Replacement Parts List	6
Truss Bar Accessory	6
Full Length Garment Bar Accessory	6
Half Length Garment Bar Accessory	6

- Note:** Please read and understand the Truss Bar/Garment Bar Accessory Owner's Manual before attempting installation, assembly, or use.
- Note:** Remove all items from the shipping containers and sort the components by type, size, etc. Refer to the illustrations on the following pages. If you need additional information about your Truss Bar/Garment Bar Accessory, contact the Wenger Corporation using the information listed below.
- Note:** The Truss Bar Accessory is intended to be used with Shoulder Pad Hangers and Helmet Hangers. The Garment Bar Accessory is intended to be used with standard garment hangers and is not to be used with Shoulder Pad Hangers and Helmet Hangers.


SAFETY

Throughout this manual you will find **Cautions** and **Warnings** which are defined as follows.

- **Warning** means that failure to follow the instruction may result in serious injury or death.
- **Caution** means that failure to follow the instruction may result in injury or damage to property.

Read and understand the following safety instructions before using or installing any Gearboss Accessory.

GENERAL

 CAUTION
<i>Installation and use of the Gearboss Accessories must always comply with the information in the "Important End User Information, Intended Use" section on page 3 of this manual.</i>

 CAUTION
<i>When using the Gearboss Accessories, always observe and comply with Warnings and Cautions posted on the system equipment.</i>

INSTALLATION

 CAUTION
<i>Make sure that anyone who helps assemble the Gearboss Truss Bar/Garment Bar Accessory has read and understands this manual.</i>

 CAUTION
<i>Never stand on a Cart while working on it.</i>

WARRANTY

The Gearboss Truss Bar/Garment Bar Accessory is guaranteed free of defects in materials and workmanship for five full years.

Our guarantee assures you of either a full refund or repair or replacement of the defective materials or workmanship without charge, at the discretion of our Customer Service Department. Just call a Customer Service Representative at 1-800-887-7145 and state the reason you are dissatisfied. If a product return is necessary, your representative will issue a return authorization. This is your sole remedy for breach of this warranty.

Should you have a question or problem with any Wenger product, don't hesitate to call, even if the product is past warranty. It's important to us that all our customers be satisfied.

This is the sole warranty made by Wenger. Wenger disclaims all other warranties, including the warranties of merchantability and fitness for a particular purpose, as well as all liability for incidental, consequential, special, and indirect damage. Wenger liability for direct damages shall be limited to the amount you paid for the product involved. Wenger reserves the right to make product changes without obligation to incorporate such changes into products previously sold.

Some states do not allow the exclusion or limitation of damages or warranties, so the above may not apply to you. This warranty gives you specific legal rights. You may also have other rights which vary from state to state.

IMPORTANT USER INFORMATION

INSTALLATION

- The Gearboss Truss Bar/Garment Bar Accessory installation must comply with local building regulations and codes.
- Personnel installing the Gearboss Truss Bar/Garment Bar Accessory must comply with the Warnings and Cautions in the Safety Section.

INTENDED USE

- The Gearboss Truss Bar/Garment Bar Accessory is intended for indoor use in normal ambient temperature and humidity conditions — it must not be exposed to prolonged outside weather conditions.
- The Gearboss Truss Bar/Garment Bar Accessory is intended to be permanently installed only as described in this manual.
- The Gearboss Truss Bar Accessory is intended to be primarily used with Gearboss Shoulder Pad Hangers and Gearboss Helmet Hangers.
- The Gearboss Garment Bar Accessory is intended to be primarily used with standard garment hangers and is not to be used with Gearboss Shoulder Pad Hangers or Gearboss Helmet Hangers.

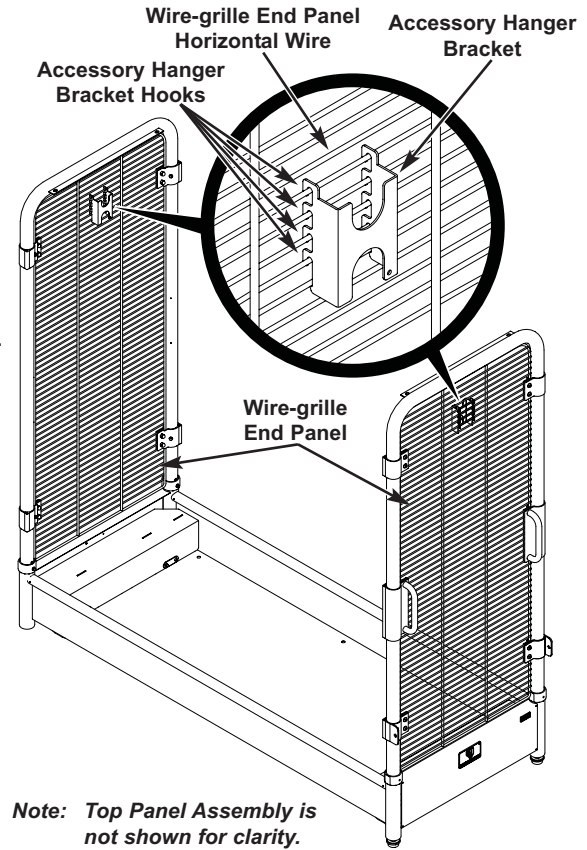
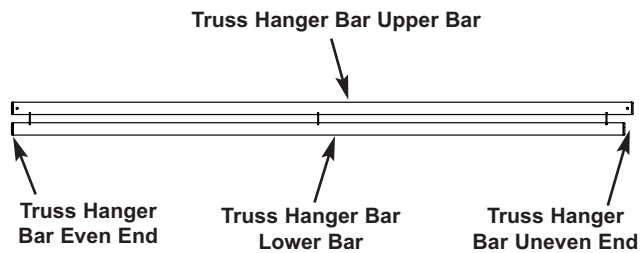
TRUSS BAR INSTALLATION

CAUTION

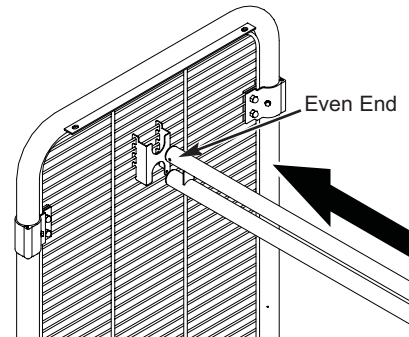
Maximum Load Capacity Rating for the Truss Bar is 200 lbs (91 kg).

1. Attach an Accessory Hanger Bracket to each End Frame Wire-grille End Panel.
 - a. Place the Accessory Hanger Bracket Hooks onto the Wire-grille End Panel Horizontal Wires.
 - b. Make sure that both Accessory Hanger Brackets are at the same height and equally spaced horizontally from the edge of the cart.

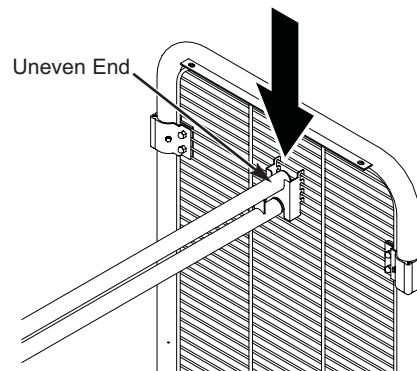
NOTE: The Truss Hanger Bar must be installed with the shorter bar on the bottom.



2. Insert the even end of the Truss Hanger Bar into one of the Accessory Hanger Brackets.



3. Lower the uneven end of the Truss Hanger Bar into the upper pocket of the other Accessory Hanger Bracket.

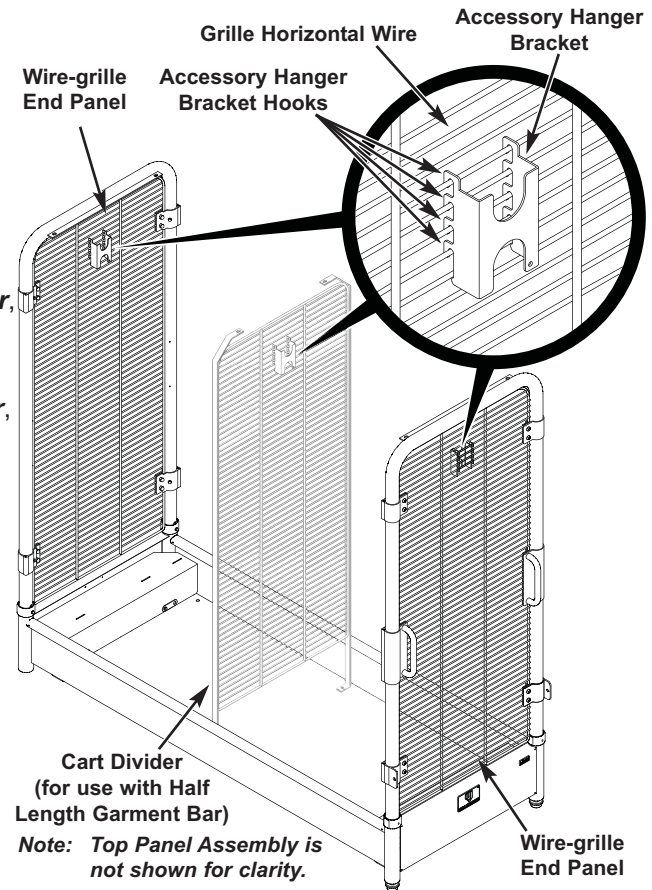


GARMENT BAR INSTALLATION

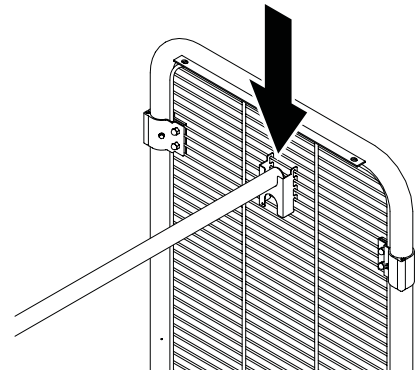
CAUTION

Maximum Load Capacity Rating for both the Full and Half Length Garment Bars is 150 lbs (68 kg).

1. Attach two Accessory Hanger Brackets.
 - If attaching the **Full Length Garment Bar**, attach an Accessory Hanger Bracket to each End Frame Wire-grille End Panel.
 - If attaching the **Half Length Garment Bar**, attach one Accessory Hanger Bracket to an End Frame Wire-grille End Panel and the other to the already installed Cart Divider.
 - a. Place the Accessory Hanger Bracket Hooks onto the grille horizontal wires.
 - b. Make sure that both Accessory Hanger Brackets are at the same height and equally spaced horizontally from the edge of the cart.



2. Place an end of the Garment Bar into each Accessory Hanger Bracket Upper Pocket.

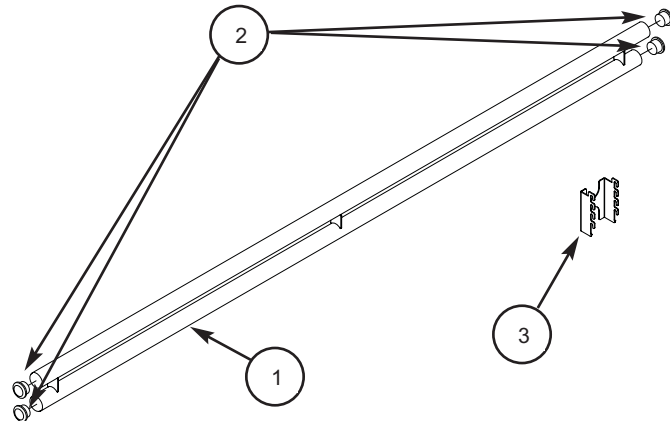


REPLACEMENT PARTS LIST

TRUSS BAR ACCESSORY

Note: The following parts are contained in the Truss Bar Accessory Carton. Contact Wenger for replacement part information.

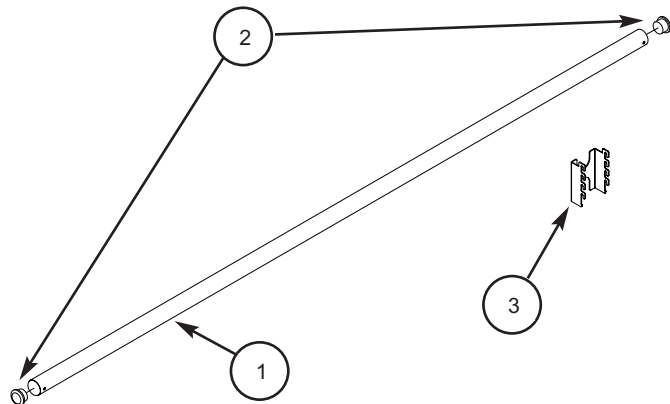
<u>Item</u>	<u>Qty</u>	<u>Description</u>
1	1	Truss Hanger Bar
2	4	End Plug
3	2	Accessory Hanger Bracket



FULL LENGTH GARMENT BAR ACCESSORY

Note: The following parts are contained in the Full Length Garment Bar Accessory Carton. Contact Wenger for replacement part information.

<u>Item</u>	<u>Qty</u>	<u>Description</u>
1	1	Full Length Garment Hanger Bar
2	2	End Plug
3	2	Accessory Hanger Bracket



HALF LENGTH GARMENT BAR ACCESSORY

Note: The following parts are contained in the Half Length Garment Bar Accessory Carton. Contact Wenger for replacement part information.

<u>Item</u>	<u>Qty</u>	<u>Description</u>
1	1	Half Length Garment Hanger Bar
2	2	End Plug
3	2	Accessory Hanger Bracket

