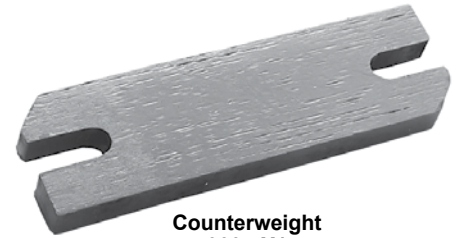


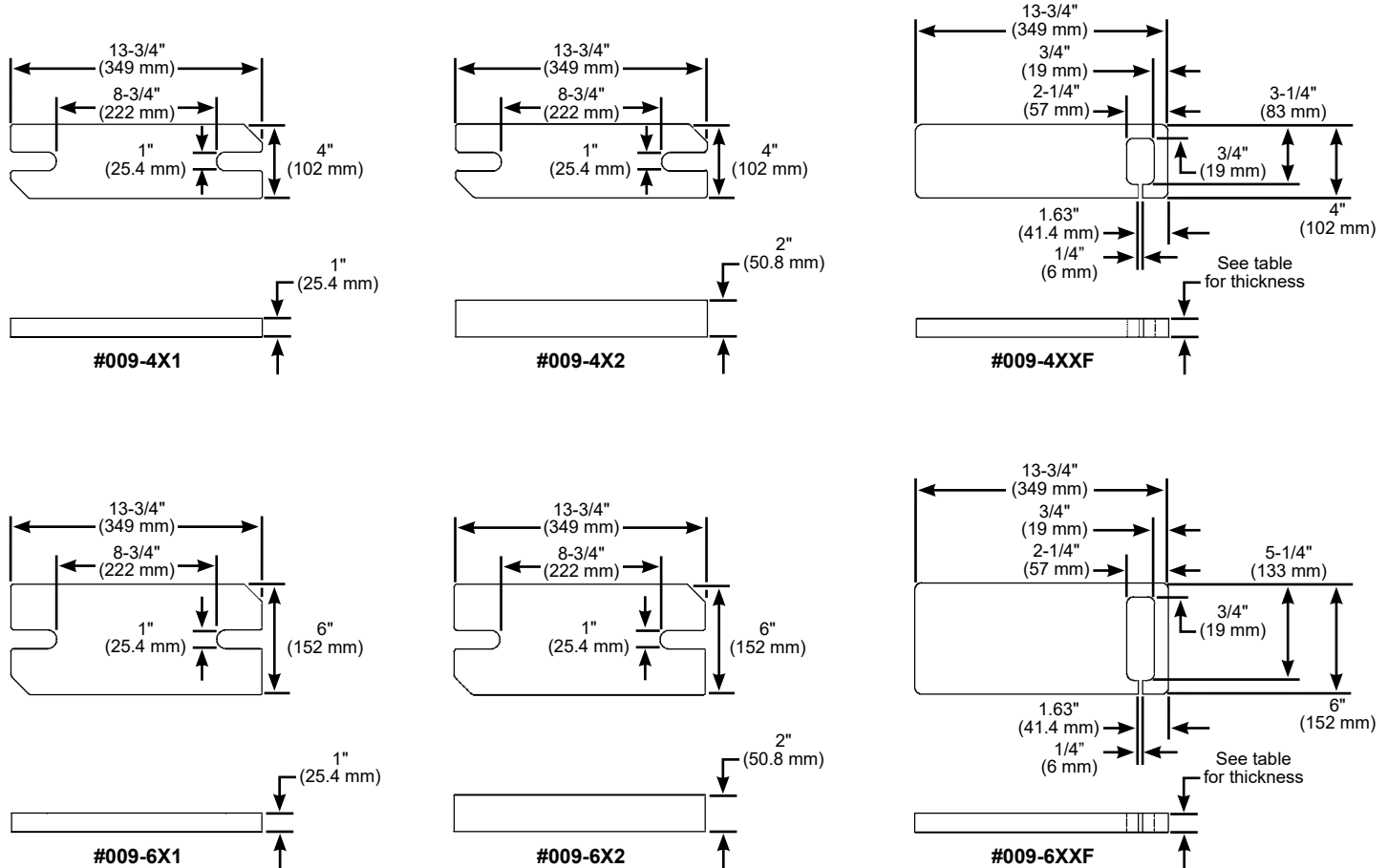
Counterweights

- Used in arbors to counterbalance the weight of the batten and scenery or lights.
- Weights are flame-cut steel.
- Opposite corners have 45° notches to provide finger grips.
- 13-3/4" (349 mm) length, with slotted ends for 3/4" (19 mm) diameter arbor rods spaced on 10" (254 mm) centers.
- Sold in 1000 lbs. (454 kg) pallets.
- Actual weight can vary by ± 20% from the nominal weight.



Counterweight
009-4X1

Dimensions



Order Information

| Number | Width | Nominal Thickness | Nominal Weight | Number | Width | Nominal Thickness | Nominal Weight |
|------------|-------------|-------------------|----------------|------------|-------------|-------------------|-----------------|
| 009-4X1 | 4" (102 mm) | 1" (25 mm) | 14 lb (6 kg) | 009-6X1 | 6" (152 mm) | 1" (25 mm) | 22 lb (10 kg) |
| 009-4X2 | 4" (102 mm) | 2" (51 mm) | 28 lb (13 kg) | 009-6X2 | 6" (152 mm) | 2" (51 mm) | 43 lb (19.5 kg) |
| 009-4X0.5F | 4" (102 mm) | 1/2" (13 mm) | 7 lb (3 kg) | 009-6X0.5F | 6" (152 mm) | 1/2" (13 mm) | 11 lb (5 kg) |
| 009-4X1F | 4" (102 mm) | 1" (25 mm) | 15 lb (7 kg) | 009-6X1F | 6" (152 mm) | 1" (25 mm) | 22 lb (10 kg) |
| 009-4X1.5F | 4" (102 mm) | 1-1/2" (38 mm) | 22 lb (10 kg) | 009-6X1.5F | 6" (152 mm) | 1-1/2" (38 mm) | 32 lb (14.5 kg) |



© 2018 Wenger Corporation
USA/2018-08/W



WENGER CORPORATION Phone 800.4WENGER (493-6437) Worldwide +1.507.455.4100 | Parts & Service 800.887.7145 | Canada Office 800.268.0148 | wengercorp.com
555 Park Drive, PO Box 448 | Owatonna MN 55060-0448

JR CLANCY Phone 800.836.1885 Worldwide +1.315.451.3440 | jrclancy.com | 7041 Interstate Island Road | Syracuse NY 13209-9713

GEARBOSS Phone 800.493.6437 | email gearboss@wengercorp.com | gearboss.com | 555 Park Drive, PO Box 448 | Owatonna MN 55060-0448