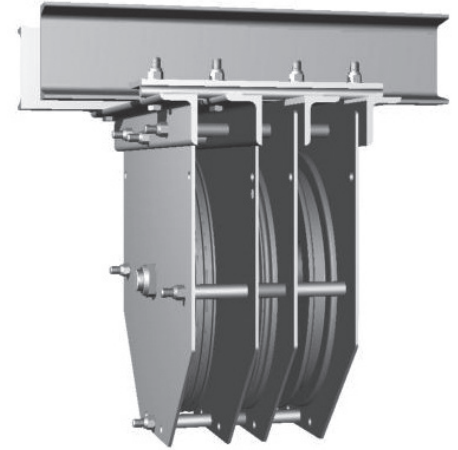


# Custom Blocks

- We can design custom blocks to meet your specific requirements.
- Nylon, steel, or ASTM Class 30 grey iron sheaves are available.
- Blocks may contain one or more sheaves. Sheaves can be mounted on a single axle or mounted in a tandem configuration for use in upgrading historic theaters and for use with drum hoists that must be mounted close to the head blocks.
- Base angles or other mounting methods are available to meet your requirements.

## Ordering Information

Please provide specifications and a drawing or sketch showing your requirements.



Custom Block



© 2017 Wenger Corporation  
USA/2017-12/W

