

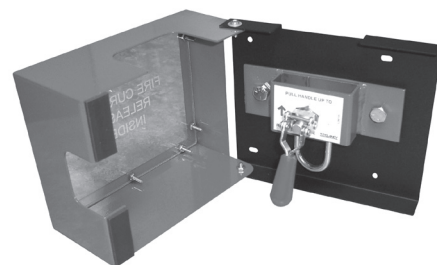
Fire Line Release & Enclosure

Lever Release

- Easy-to-use lever provides a simple, positive method of releasing the fire line.
- No pins to pull or lose.
- The over-center design of the lever offers added reliability, ensuring the handle will pull the pin and release the fire line. This overcomes the tendency of some pull ring systems to bind when the fire line is heavily loaded.
- Includes fire release sign.

Enclosure

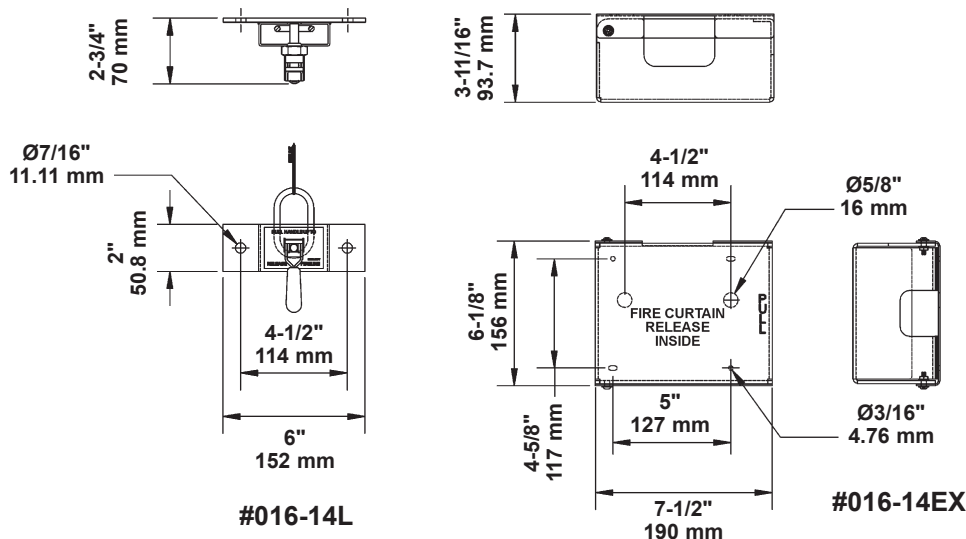
- Sturdy enclosure accommodates the lever and mounting hardware.
- A clear acrylic window allows clear view of the release.
- The integral hand grip allows the cover to be opened easily in the event of fire, yet provides protection against accidental activation.
- High contrast lettering on the cover for easy visibility.



Fire Line Release
016-14L

Fire Curtain Release Enclosure
016-14EX

Dimensions



Order Information

Number	Description	Weight
016-14L	Fire Line Release	1.5 lbs. (0.68 kg)
016-14EX	Fire Curtain Release Enclosure	2 lbs. (0.91 kg)



© 2017 Wenger Corporation
USA/2017-12/W



WENGER CORPORATION Phone 800.4WENGER (493-6437) Worldwide +1.507.455.4100 | Fax 507.455.4258 Worldwide +1.507.774.8576
Parts & Service 800.887.7145 | Canada Office 800.268.0148 | Web wengercorp.com | 555 Park Drive, PO Box 448 | Owatonna | MN 55060-0448

JR CLANCY Phone 800.836.1885 Worldwide +1.315.451.3440 | Fax 877.836.1885 Worldwide +1.315.451.1766 | Web jrclancy.com
7041 Interstate Island Road | Syracuse | NY 13209-9713

GEARBOSS Phone 800.493.6437 | email gearboss@wengercorp.com | Web gearboss.com | 555 Park Drive, PO Box 448 | Owatonna | MN 55060-0448