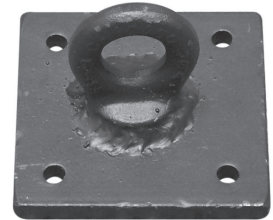


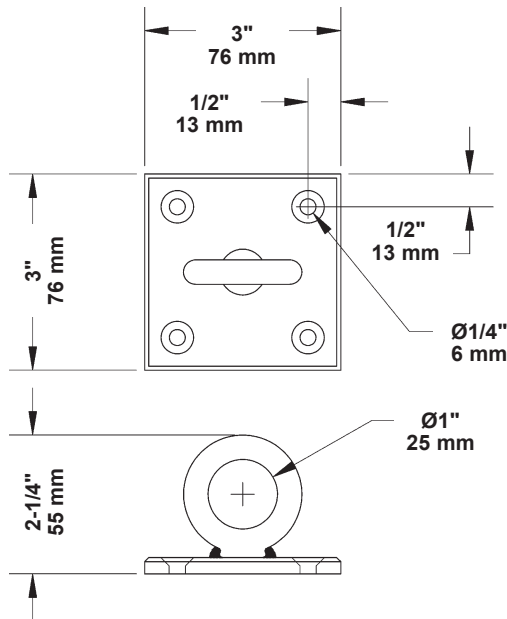
Floor Plate

- Used for terminating guide lines.
- 3" x 3" (76 mm x 76 mm) square, steel floor plate with forged eye.



Floor Plate
016-97

Dimensions



Order Information

Number	Description	RWL	Weight
016-97	Floor Plate	450 lbs. (204 kg)	0.8 lb. (0.36 kg)

RWL: RWL is maximum load that can be applied to the floor plate which is in "like new" condition and has been properly installed, maintained, and operated.



© 2017 Wenger Corporation
USA/2017-12/W

