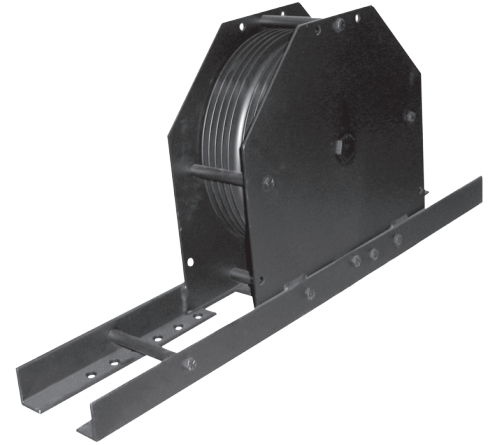


Head Block - 55 Series

Upright Head Block 55 Series

General Information

- Upright style, normally supported by two structural I-beams.
- ASTM Class 30 grey iron or nylon sheave.
- Equal pitch diameter on rope and cable grooves for smooth operation.
- Tapered roller bearings.
- Base angle legs turned in to allow close mounting centers. Notches allow clear passage of all cables.
- 10 gauge (3.41 mm) side plates fully enclose sheave; 16" (406 mm) blocks have 7 gauge (4.55 mm) side plates.
- Side plates are bolted and welded to the base angles for extra strength.
- Six spacers between the side plates, three prevent cables from escaping the sheave grooves.
- Base angles punched with a hole pattern for easy installations.
- Mounting clips are available, please provide steel dimensions.



Order Information

Sheave Diameter	Rope Diameter	Lines	Bearings	Cast Iron Product Code	RWL	Weight	Nylon Product Code	RWL	Weight
Single Purchase									
8" (203 mm)	3/4" (19 mm)	6 @ 1/4" (6 mm)	1" (25 mm)	100-60855C25	1300 lbs. (590 kg)	46 lbs. (20.9 kg)	-	-	-
8" (203 mm)	3/4" (19 mm)	8 @ 1/4" (6 mm)	1" (25 mm)	100-80855C25	1300 lbs. (590 kg)	52 lbs. (23.6 kg)	-	-	-
12" (305 mm)	3/4" (19 mm)	6 @ 1/4" (6 mm)	1" (25 mm)	100-61255C25	3000 lbs. (1361 kg)	72 lbs. (32.6 kg)	100-61255N25	3000 lbs. (1361 kg)	40 lbs. (18.1 kg)
12" (305 mm)	3/4" (19 mm)	8 @ 1/4" (6 mm)	1" (25 mm)	100-81255C25	3000 lbs. (1361 kg)	79 lbs. (35.8 kg)	100-81255N25	3000 lbs. (1361 kg)	41 lbs. (18.6 kg)
12" (203 mm)	3/4" (19 mm)	10 @ 1/4" (6 mm)	1" (25 mm)	100-101255C25	3000 lbs. (1361 kg)	86 lbs. (39 kg)	-	-	-
16" (406 mm)	1" (25 mm)	6 @ 3/8" (9.5 mm)	1-1/2" (38 mm)	100-61655C381	3600 lbs. (1633 kg)	139 lbs. (63 kg)	-	-	-
16" (406 mm)	1" (25 mm)	8 @ 3/8" (9.5 mm)	1-1/2" (38 mm)	100-81655C381	3600 lbs. (1633 kg)	147 lbs. (66.7 kg)	-	-	-
Double Purchase									
12" (305 mm)	3/4" (19 mm)	6 @ 1/4" (6 mm)	1" (25 mm)	100-61255C25D	3000 lbs. (1361 kg)	72 lbs. (32.6 kg)	100-61259N25D	3000 lbs. (1361 kg)	40 lbs. (18.1 kg)
12" (305 mm)	3/4" (19 mm)	8 @ 1/4" (6 mm)	1" (25 mm)	100-81255C25D	3000 lbs. (1361 kg)	79 lbs. (35.8 kg)	100-81259N25D	3000 lbs. (1361 kg)	41 lbs. (18.6 kg)

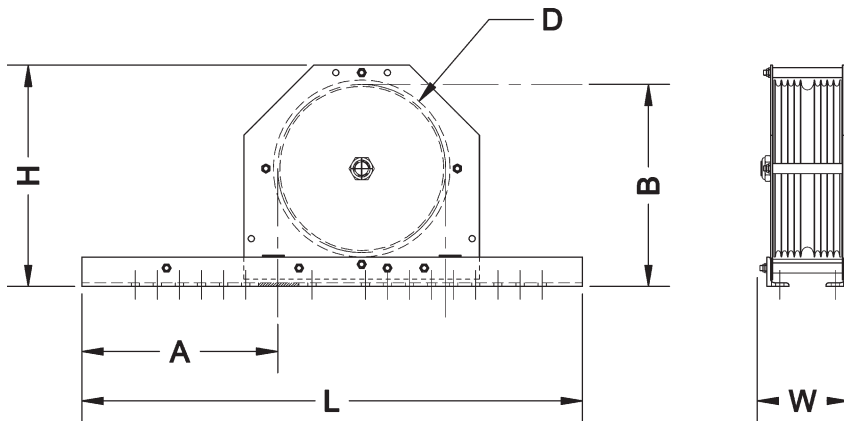
Double Purchase: Add a "D" suffix to the product code for a double purchase head block.

Wire Guide Blocks: Add a "W" suffix to the product code for a block with tieoffs for arbor wire guides.

Tieoffs: Tieoffs for wire guided clews are also available.

RWL: The recommended working load (RWL) is maximum load that can be applied to a block which is in "like new" condition and has been properly installed, maintained and operated. The mounting of the head block has a major effect on the RWL, as shown in the tables on this product's specific web page.

Dimensions



Nominal Sheave Diameter	Lines	Dim. L	Dim. H	Dim. W	Dim A	Dim B	Dim. D (Sheave Diameter)
8" (203 mm)	6	32" (813 mm)	11-7/16" (290.5 mm)	5-3/8" (137 mm)	15-1/16" (383 mm)	10-1/8" (257 mm)	8-1/2" (216 mm)
8" (203 mm)	8	32" (813 mm)	11-7/16" (290.5 mm)	6-3/8" (162 mm)	15-1/16" (383 mm)	10-1/8" (257 mm)	8-1/2" (216 mm)
12" (305 mm)	6	34" (864 mm)	15" (381 mm)	5-3/8" (137 mm)	13-5/16" (338 mm)	13-3/4" (349 mm)	12" (305 mm)
12" (305 mm)	8	34" (864 mm)	15" (381 mm)	6-3/8" (162 mm)	13-5/16" (338 mm)	13-3/4" (349 mm)	12" (305 mm)
12" (305 mm)	10	34" (864 mm)	15" (381 mm)	7-1/4" (184 mm)	13-5/16" (338 mm)	13-3/4" (349 mm)	12" (305 mm)
16" (406 mm)	6*	34" (864 mm)	19" (483 mm)	6-5/8" (168 mm)	11-7/16" (290.5 mm)	17-11/16" (449 mm)	16" (406 mm)
16" (406 mm)	8*	34" (864 mm)	19" (483 mm)	7-5/8" (194 mm)	11-7/16" (290.5 mm)	17-11/16" (449 mm)	16" (406 mm)

*Standard 16" (406 mm) sheave grooving is for 3/8" (9.5 mm) cable and 1" (25.4 mm) rope. 1/4" (6.35 mm) cable and 3/4" (19 mm) rope are available.

Wenger

JRCLANCY

GEARBOSS

© 2017 Wenger Corporation
USA/2017-12/W



WENGER CORPORATION

Phone 800.4WENGER (493-6437) Worldwide +1.507.455.4100 | Fax 507.455.4258 Worldwide +1.507.774.8576
Parts & Service 800.887.7145 | Canada Office 800.268.0148 | Web wengercorp.com | 555 Park Drive, PO Box 448 | Owatonna | MN 55060-0448

JR CLANCY

Phone 800.836.1885 Worldwide +1.315.451.3440 | Fax 877.836.1885 Worldwide +1.315.451.1766 | Web jrclancy.com
7041 Interstate Island Road | Syracuse | NY 13209-9713

GEARBOSS

Phone 800.493.6437 | email gearboss@wengercorp.com | Web gearboss.com | 555 Park Drive, PO Box 448 | Owatonna | MN 55060-0448