

# Head Block - 59 Series

## Underhung Head Block 59 Series

### General Information

- Underhung style, normally supported by two structural I-beams.
- ASTM Class 30 grey iron or nylon sheave.
- Equal pitch diameter on rope and cable grooves for smooth operation.
- Tapered roller bearings.
- Base angle legs turned in to allow close mounting centers.
- 10 gauge (3.41 mm) side plates fully enclose sheave;  
16" (406 mm) blocks have 7 gauge (4.55 mm) side plates.
- Side plates are bolted and welded to the base angles for extra strength.
- Six spacers between the side plates, three prevent cables from escaping the sheave grooves.
- Base angles punched with a hole pattern for easy installations.
- Mounting clips available, please provide steel dimensions.
- Underhung blocks may need to be welded to head beams after final alignment.  
Clip angles are recommended for double beam mounting. Mounting with clips or to single beams will require welding.  
Consult the factory for specific information.

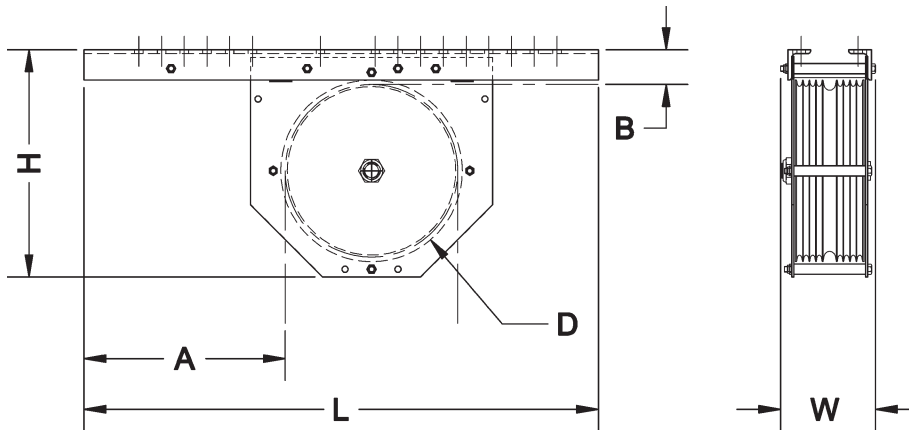


### Order Information

Sheave Diameter	Rope Diameter	Lines	Bearings	Cast Iron Product Code	RWL	Weight	Nylon Product Code	RWL	Weight
<b>Single Purchase</b>									
8" (203 mm)	3/4" (19 mm)	6 @ 1/4" (6 mm)	1" (25 mm)	100-60859C25	1300 lbs. (590 kg)	46 lbs. (20.9 kg)	-	-	-
8" (203 mm)	3/4" (19 mm)	8 @ 1/4" (6 mm)	1" (25 mm)	100-80859C25	1300 lbs. (590 kg)	52 lbs. (23.6 kg)	-	-	-
12" (305 mm)	3/4" (19 mm)	6 @ 1/4" (6 mm)	1" (25 mm)	100-61259C25	3000 lbs. (1361 kg)	72 lbs. (32.6 kg)	100-61259N25	3000 lbs. (1361 kg)	40 lbs. (18.1 kg)
12" (305 mm)	3/4" (19 mm)	8 @ 1/4" (6 mm)	1" (25 mm)	100-81259C25	3000 lbs. (1361 kg)	79 lbs. (35.8 kg)	100-81259N25	3000 lbs. (1361 kg)	41 lbs. (18.6 kg)
12" (203 mm)	3/4" (19 mm)	10 @ 1/4" (6 mm)	1" (25 mm)	100-101259C25	3000 lbs. (1361 kg)	86 lbs. (39 kg)	-	-	-
16" (406 mm)	1" (25 mm)	6 @ 3/8" (9.5 mm)	1-1/2" (38 mm)	100-61659C381	3600 lbs. (1633 kg)	139 lbs. (63 kg)	-	-	-
16" (406 mm)	1" (25 mm)	8 @ 3/8" (9.5 mm)	1-1/2" (38 mm)	100-81659C381	3600 lbs. (1633 kg)	147 lbs. (66.7 kg)	-	-	-
<b>Double Purchase</b>									
12" (305 mm)	3/4" (19 mm)	6 @ 1/4" (6 mm)	1" (25 mm)	100-61259C25D	3000 lbs. (1361 kg)	72 lbs. (32.6 kg)	100-61259N25D	3000 lbs. (1361 kg)	40 lbs. (18.1 kg)
12" (305 mm)	3/4" (19 mm)	8 @ 1/4" (6 mm)	1" (25 mm)	100-81259C25D	3000 lbs. (1361 kg)	79 lbs. (35.8 kg)	100-81259N25D	3000 lbs. (1361 kg)	41 lbs. (18.6 kg)
<p><b>Double Purchase:</b> Add a "D" suffix to the product code for a double purchase head block.</p> <p><b>Wire Guide Blocks:</b> Add a "W" suffix to the product code for a block with tieoffs for arbor wire guides.</p> <p><b>Tieoffs:</b> Tieoffs for wire guided clews are also available.</p> <p><b>RWL:</b> The recommended working load (RWL) is maximum load that can be applied to a block which is in "like new" condition and has been properly installed, maintained and operated. The mounting of the head block has a major effect on the RWL, as shown in the tables on this product's specific web page.</p>									

Continued on the following page.

## Dimensions



Nominal Sheave Diameter	Lines	Dim. L	Dim. H	Dim. W	Dim A	Dim B	Dim. D (Sheave Diameter)
8" (203 mm)	6	32" (813 mm)	11-7/16" (291 mm)	5-3/8" (137 mm)	15-1/16" (383 mm)	2-3/16" (11 mm)	8-1/2" (216 mm)
8" (203 mm)	8	32" (813 mm)	11-7/16" (291 mm)	6-3/8" (162 mm)	15-1/16" (383 mm)	2-3/16" (11 mm)	8-1/2" (216 mm)
12" (305 mm)	6	34" (864 mm)	15" (381 mm)	5-3/8" (137 mm)	13-5/16" (338 mm)	2-3/16" (11 mm)	12" (305 mm)
12" (305 mm)	8	34" (864 mm)	15" (381 mm)	6-3/8" (162 mm)	13-5/16" (338 mm)	2-3/16" (11 mm)	12" (305 mm)
12" (305 mm)	10	34" (864 mm)	15" (381 mm)	7-1/4" (184 mm)	13-5/16" (338 mm)	2-3/16" (11 mm)	12" (305 mm)
16" (406 mm)	6*	34" (864 mm)	19" (483 mm)	6-5/8" (168 mm)	11-7/16" (290.5 mm)	2-3/16" (11 mm)	16" (406 mm)
16" (406 mm)	8*	34" (864 mm)	19" (483 mm)	7-5/8" (194 mm)	11-7/16" (291 mm)	2-3/16" (11 mm)	16" (406 mm)

\*Standard 16" (406 mm) sheave grooving is for 3/8" (9.5 mm) cable and 1" (25.4 mm) rope. 1/4" (6.35 mm) cable and 3/4" (19 mm) rope are available.

**Wenger**

**JRCLANCY**

**GEARBOSS**

© 2017 Wenger Corporation  
USA/2017-12/W



**WENGER CORPORATION**

Phone 800.4WENGER (493-6437) Worldwide +1.507.455.4100 | Fax 507.455.4258 Worldwide +1.507.774.8576  
Parts & Service 800.887.7145 | Canada Office 800.268.0148 | Web wengercorp.com | 555 Park Drive, PO Box 448 | Owatonna | MN 55060-0448

**JR CLANCY**

Phone 800.836.1885 Worldwide +1.315.451.3440 | Fax 877.836.1885 Worldwide +1.315.451.1766 | Web jrclancy.com  
7041 Interstate Island Road | Syracuse | NY 13209-9713

**GEARBOSS**

Phone 800.493.6437 | email gearboss@wengercorp.com | Web gearboss.com | 555 Park Drive, PO Box 448 | Owatonna | MN 55060-0448