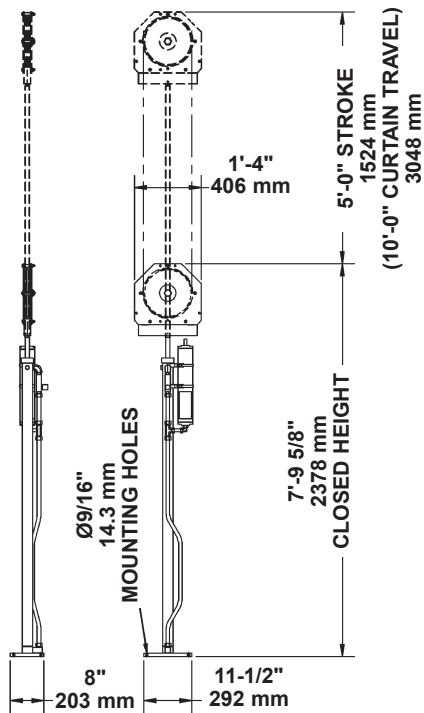


Hydraulic Dashpots

- Used on heavy straight lift fire curtains to slow the last few feet of descent. May be needed to meet code requirements that the last 8' (2.4 m) of travel take 5 or more seconds.
- Provides 10' (3.0 m) of damping using a double purchased 5' (1.5 m) piston.
- 12" (305 mm) diameter sheave for 3/8" (9.5 mm) dashpot cable.
- The dashpot is rigged in a double purchase arrangement with a cable which is snatched by the fire curtain arbor when the curtain is nearing the floor. The dashpot cable pulls on the sheave at the top of the piston rod of the hydraulic cylinder. A fluid flow adjusting valve is preset to provide the appropriate retarding force on the piston, braking the descent of the curtain. The piston and cylinder automatically release the oil to return the unit to an "at rest condition" when the curtain is raised.
- 016-410L used for curtains up to 3500 lbs. (1588 kg).
- 016-411L used for curtains up to 1250 lbs. (567 kg).
- Custom units available.

Dimensions



#016-411L



Hydraulic Dashpot
016-410L

Order Information

Number	Description	RWL	Weight
016-410L	Hydraulic Dashpot , Heavy Duty	3500 lbs. (1588 kg)	200 lbs. (90.7 kg)
016-411L	Hydraulic Dashpot , Standard Duty	1250 lbs. (567 kg)	115 lbs. (52.2 kg)

RWL is based on an 8:1 safety factor.

RWL: RWL is maximum load that can be applied to the dashpot which is in "like new" condition and has been properly installed, maintained, and operated.



© 2017 Wenger Corporation
USA/2017-12/W

