

J-Guide/T-Bar Double Purchase Arbors

- Used in J-Guide/T-Bar guided systems to hold counterweight that balances the batten load.
- Arbor tops are fabricated from 1/2" (12.6 mm) steel, and contain an 8-1/2" (216 mm) diameter ASTM A48 grey iron sheave with equal pitch diameter rope and cable grooves, tapered roller bearings, and 7 gauge (4.55 mm) side plates.
- Arbor bottoms contain an 8" (203 mm) diameter ASTM A48 grey iron sheave grooved for 3/4" (19 mm) rope, with sealed precision ball bearings and 10 gauge (3.4 mm) side plates.
- Two 3/4" (19 mm) steel arbor rods have three nuts at top and bottom.
- Each rod has a retaining collar with a thumbscrew incorporating an easy-to-grip plastic knob.
- Front collar is welded to top spreader plate for additional security.
- 12 gauge (2.65 mm) steel spreader plate every 2' (0.6 m) (minimum 2). Labels on the back bar show safety information and proper location for spreader plates.
- 3/8" x 3" (10 mm x 76 mm) steel back bar, with two guide assemblies.
- Standard polypropylene guide shoes allow for on site adjustment for 6" (154 mm) or 8" (203 mm) set centers; other shoe types and centers are available.
- Arbors are provided with easy-to-read, self-adhesive set numbers.

Order Information

Number	Length*	Capacity+ 4" (102 mm) Weights	Capacity+ 6" (152 mm) Weights	Weight
J-Guide/T-Bar Counterweight Arbor, 6 Line Double Purchase—615 Series				
008-615X06	6' (1.8 m)	841 lbs. (381 kg)	1303 lbs. (473 kg)	113 lbs. (51.2 kg)
008-615X07	7' (2.13 m)	1009 lbs. (458 kg)	1564 lbs. (709 kg)	113 lbs. (51.2 kg)
008-615X08	8' (2.4 m)	1177 lbs. (534 kg)	1825 lbs. (828 kg)	113 lbs. (51.2 kg)
008-615X09	9' (2.75 m)	1345 lbs. (610 kg)	2086 lbs. (946 kg)	113 lbs. (51.2 kg)
008-615X10	10' (3 m)	1514 lbs. (687 kg)	2346 lbs. (1069 kg)	113 lbs. (51.2 kg)
008-615X11	11' (3.35 m)	1682 lbs. (763 kg)	2607 lbs. (1182 kg)	113 lbs. (51.2 kg)
008-615X12	12' (3.65 m)	1850 lbs. (839 kg)	2868 lbs. (1301 kg)	113 lbs. (51.2 kg)
008-615X13	13' (3.9 m)	2018 lbs. (915 kg)	3129 lbs. (1491 kg)	113 lbs. (51.2 kg)
*Overall length is 22-3/8" (568.3 mm) longer than the nominal length. +Average Capacity using J.R. Clancy steel counterweights.				
RWL: RWL is maximum load that can be applied to the arbor which is in "like new" condition and has been properly installed, maintained, and operated.				



**J-Guide/T-Bar Arbor
Double Purchase
008-615X04**

Number	Length*	Capacity+ 4" (102 mm) Weights	Capacity+ 6" (152 mm) Weights	Weight
J-Guide/T-Bar Counterweight Arbor, 8 Line Double Purchase—815 Series				
008-815X06	6' (1.8 m)	841 lbs. (381 kg)	1303 lbs. (473 kg)	119 lbs. (54 kg)
008-815X07	7' (2.13 m)	1009 lbs. (458 kg)	1564 lbs. (709 kg)	126 lbs. (57.2 kg)
008-815X08	8' (2.4 m)	1177 lbs. (534 kg)	1825 lbs. (828 kg)	133 lbs. (60.3 kg)
008-815X09	9' (2.75 m)	1345 lbs. (610 kg)	2086 lbs. (946 kg)	140 lbs. (63.5 kg)
008-815X10	10' (3 m)	1514 lbs. (687 kg)	2346 lbs. (1069 kg)	147 lbs. (66.7 kg)
008-815X11	11' (3.35 m)	1682 lbs. (763 kg)	2607 lbs. (1182 kg)	154 lbs. (69.85 kg)
008-815X12	12' (3.65 m)	1850 lbs. (839 kg)	2868 lbs. (1301 kg)	161 lbs. (73 kg)
008-815X13	13' (3.9 m)	2018 lbs. (915 kg)	3129 lbs. (1491 kg)	169 lbs. (76.7 kg)
*Overall length is 22-3/8" (568 mm) longer than the nominal length. +Average Capacity using J.R. Clancy steel counterweights.				
RWL: RWL is maximum load that can be applied to the arbor which is in "like new" condition and has been properly installed, maintained, and operated.				

Continued on the following page.

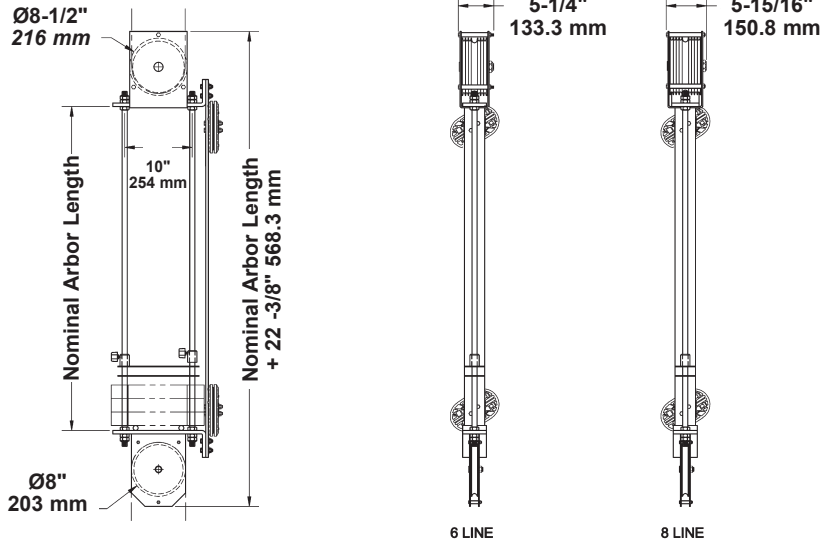
Options

Number	Description	Weight
048-3/4EN	3/4" (19 mm) Eye Nut	2 lbs (0.9 kg)



Eye Nut
048-3/4EN

Dimensions



Wenger

JRCLANCY

GEARBOSS

© 2017 Wenger Corporation
USA/2017-12/W



WENGER CORPORATION

Phone 800.4WENGER (493-6437) Worldwide +1.507.455.4100 | Fax 507.455.4258 Worldwide +1.507.774.8576
Parts & Service 800.887.7145 | Canada Office 800.268.0148 | Web wengercorp.com | 555 Park Drive, PO Box 448 | Owatonna | MN 55060-0448

JR CLANCY

Phone 800.836.1885 Worldwide +1.315.451.3440 | Fax 877.836.1885 Worldwide +1.315.451.1766 | Web jrclancy.com
7041 Interstate Island Road | Syracuse | NY 13209-9713

GEARBOSS

Phone 800.493.6437 | email gearboss@wengercorp.com | Web gearboss.com | 555 Park Drive, PO Box 448 | Owatonna | MN 55060-0448