

J-Guide/T-Bar Single Purchase Arbors

- Used in J-Guide/T-Bar guided systems to hold counterweight that balances the batten load.
- Arbor tops and bottoms are fabricated 1/4" (6 mm) steel weldments with a bolt and spacer for hand line termination.
- Arbor tops are punched to accept 8 cables.
- Two 3/4" (19 mm) steel arbor rods have three nuts at top and bottom.
- Each rod has a retaining collar with a thumbscrew incorporating an easy-to-grip plastic knob.
- Front collar is welded to top spreader plate for additional security.
- 12 gauge (2.65 mm) steel spreader plate every 2' (0.6 m) (minimum 2).
Labels on the back bar show safety information and proper location for spreader plates.
- 3/8" x 3" (9.5 mm x 76 mm) steel back bar, with two guide assemblies.
- Standard polypropylene guide shoes allow for on site adjustment for 6" (154 mm) or 8" (203 mm) set centers; other shoe types and centers are available.
- Arbors are provided with easy-to-read, self-adhesive set numbers.

Order Information

Number	Length*	Capacity+		Weight
		4" (102 mm) Weights	6" (152 mm) Weights	
007-15X04	4' (1.2 m)	504 lbs. (229 kg)	782 lbs. (335 kg)	56 lbs. (25.4 kg)
007-15X05	5' (1.5 m)	672 lbs. (305 kg)	1043 lbs. (473 kg)	63 lbs. (28.5 kg)
007-15X06	6' (1.8 m)	841 lbs. (381 kg)	1303 lbs. (591 kg)	71 lbs. (32.2 kg)
007-15X07	7' (2.13 m)	1009 lbs. (458 kg)	1564 lbs. (704 kg)	78 lbs. (35.4 kg)
007-15X08	8' (2.4 m)	1177 lbs. (534 kg)	1825 lbs. (828 kg)	85 lbs. (38.5 kg)
007-15X09	9' (2.75 m)	1345 lbs. (610 kg)	2086 lbs. (946 kg)	92 lbs. (41.7 kg)
007-15X10	10' (3 m)	1514 lbs. (687 kg)	2346 lbs. (1064 kg)	99 lbs. (44.9 kg)
007-15X11	11' (3.35 m)	1682 lbs. (763 kg)	2607 lbs. (1182 kg)	106 lbs. (48 kg)
007-15X12	12' (3.65 m)	1850 lbs. (839 kg)	2868 lbs. (1301 kg)	113 lbs. (51.25 kg)
007-15X13	13' (3.9 m)	2018 lbs. (915 kg)	3129 lbs. (1491 kg)	122 lbs. (55.3 kg)

*Overall length is 8" (203 mm) longer than the nominal length.

+Average Capacity using J.R. Clancy steel counterweights.

RWL: RWL is maximum load that can be applied to the arbor which is in "like new" condition and has been properly installed, maintained, and operated.



J-Guide/T-Bar Arbor
Single Purchase
007-15X04

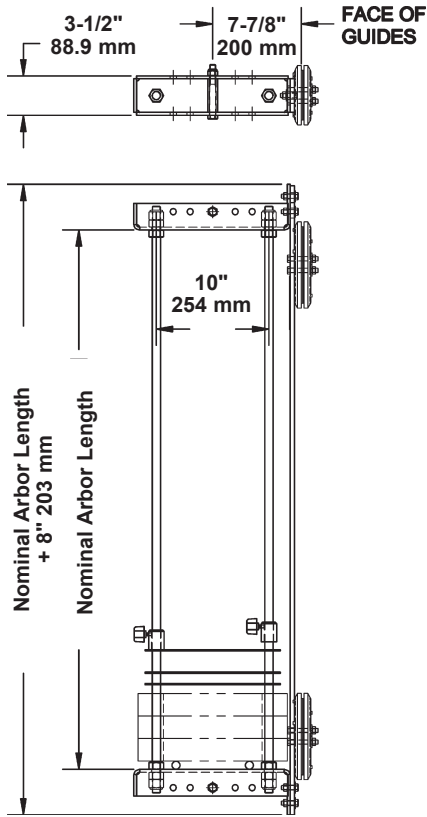
Options

Number	Description	Weight
048-3/4EN	3/4" (19 mm) Eye Nut	2 lbs (0.9 kg)



Eye Nut
048-3/4EN

Dimensions



Wenger

JRCLANCY

GEARBOSS

© 2017 Wenger Corporation
USA/2017-12/W



WENGER CORPORATION Phone 800.4WENGER (493-6437) Worldwide +1.507.455.4100 | Fax 507.455.4258 Worldwide +1.507.774.8576
Parts & Service 800.887.7145 | Canada Office 800.268.0148 | Web wengercorp.com | 555 Park Drive, PO Box 448 | Owatonna | MN 55060-0448

JR CLANCY Phone 800.836.1885 Worldwide +1.315.451.3440 | Fax 877.836.1885 Worldwide +1.315.451.1766 | Web jrclancy.com
7041 Interstate Island Road | Syracuse | NY 13209-9713

GEARBOSS Phone 800.493.6437 | email gearboss@wengercorp.com | Web gearboss.com | 555 Park Drive, PO Box 448 | Owatonna | MN 55060-0448