

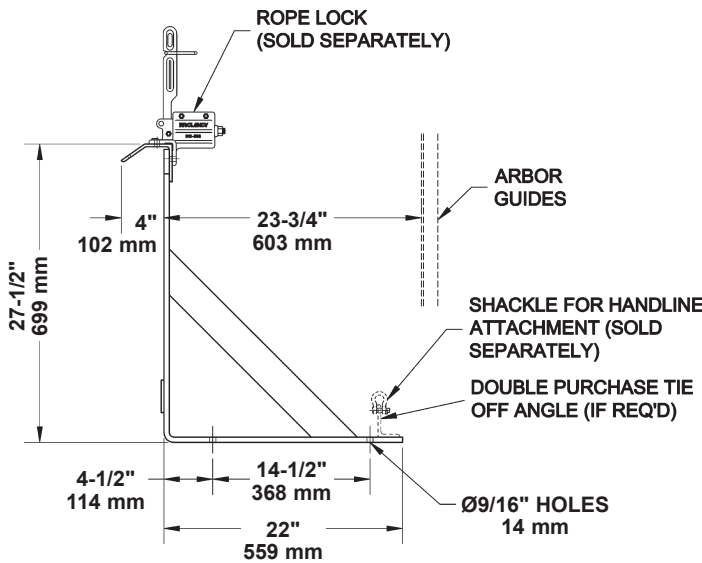
Locking Rails - J-Guide/T-Bar

- Locking rails support rope locks and the index cards used to identify sets.
- Rope locks and index cards are mounted on a 3" x 5" x 1/4" (76 mm x 127 mm x 6.35 mm) formed, pre-punched steel angle.
- Built to withstand a 500 lb. per linear foot (744.5 kg/m) up load (RWL).
- Numbered index cards with a safety warning are included.
These can be written on using erasable marker or grease pencil.
- Mounts to the stage floor. Mounting method must be able to withstand the imposed load.
- Mounting stanchions are located on 5' (1.52 m) (maximum) centers and made from 1/2" x 3" (12.7 mm x 76.2 mm) flat bar.
- An optional reaction bar for use with a portable capstan hoist is available.



J-Guide/T-Bar Locking Rail
011-538R6

Dimensions



Order Information

Number	Type	Set Centers	Weight
011-538R6	Single Purchase	6" (152 mm)	18 lbs./ft. (26.75 kg/m)
011-538R8	Single Purchase	8" (203 mm)	18 lbs./ft. (26.75 kg/m)
011-538D6	Double Purchase	6" (152 mm)	18 lbs./ft. (26.75 kg/m)
011-538D8	Double Purchase	8" (203 mm)	18 lbs./ft. (26.75 kg/m)
011-BAR	Reaction Bar	-	6 lbs./ft. (8.2 kg/m)

RWL: RWL is maximum load that can be applied to the locking rail which is in "like new" condition and has been properly installed, maintained, and operated.



© 2017 Wenger Corporation
USA/2017-12/W



WENGER CORPORATION Phone 800.4WENGER (493-6437) Worldwide +1.507.455.4100 | Fax 507.455.4258 Worldwide +1.507.774.8576
Parts & Service 800.887.7145 | Canada Office 800.268.0148 | Web wengercorp.com | 555 Park Drive, PO Box 448 | Owatonna | MN 55060-0448

JR CLANCY Phone 800.836.1885 Worldwide +1.315.451.3440 | Fax 877.836.1885 Worldwide +1.315.451.1766 | Web jrclancy.com
7041 Interstate Island Road | Syracuse | NY 13209-9713

GEARBOSS Phone 800.493.6437 | email gearboss@wengercorp.com | Web gearboss.com | 555 Park Drive, PO Box 448 | Owatonna | MN 55060-0448