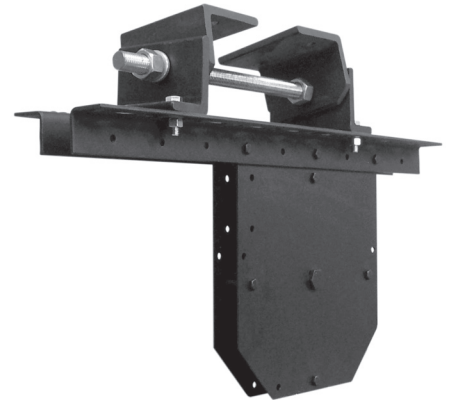


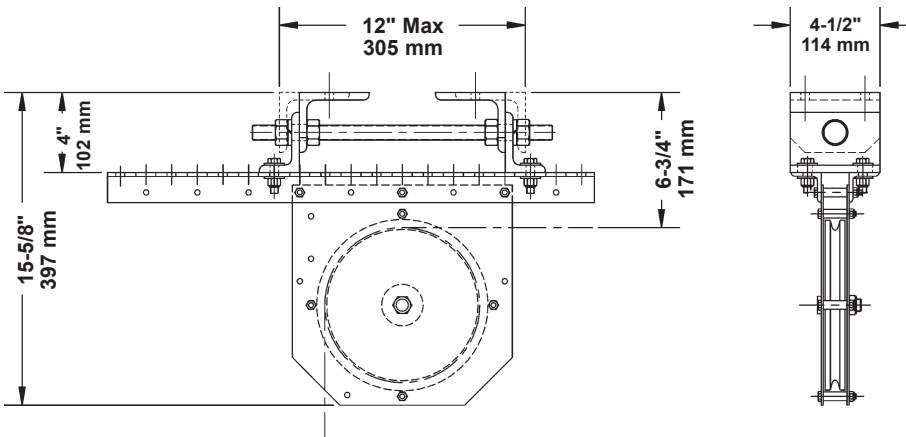
# Loft Block Pivot Brackets

- Pivot brackets are required for mounting on loft beams with more than 1-1/2° of slope.
- Use for beams 4" – 8-1/2" (102 – 216 mm) wide for single line 55 series blocks.
- Mounting clips are included, please specify beam flange thickness.
- Pivot brackets must be welded to loft beams after final alignment – consult the factory for specific information.



**Underhung Loft Block  
with Pivot Bracket  
070-PIVOT**

## Dimensions



## Order Information

Number	Description	RWL	Weight
070-PIVOT	Pivot Bracket	-	12 lbs. (5.4 kg)



© 2017 Wenger Corporation  
USA/2017-12/W

