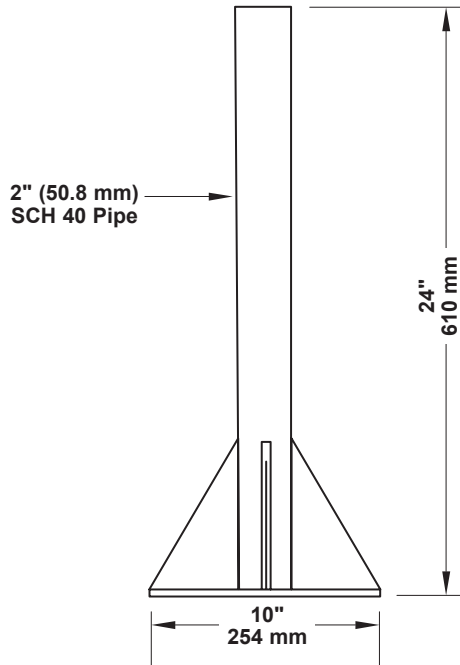


Mule Block Swivel & Stands

- Swivels may be added to mule blocks to allow swivel and pivot to meet site conditions.
- Stands support mule blocks where other structural steel is not available.
- Mule block stands must be welded in place after alignment – consult the factory for specific information.

Dimensions



Mule Block Swivel Stand
5C2-850S

Order Information

Number	Description	Weight
5C2-SWIVEL	8" (203 mm) Mule Block Swivel	15 lbs. (6.8 kg)
5C2-850S	Mule Block Stand for 8" (203 mm), 1 & 2 line blocks	30 lbs. (13.6 kg)
5C2-850HS	Mule Block Stand for 8" (203 mm), 4 & 8 line blocks	50 lbs. (22.6 kg)



© 2017 Wenger Corporation
USA/2017-12/W

