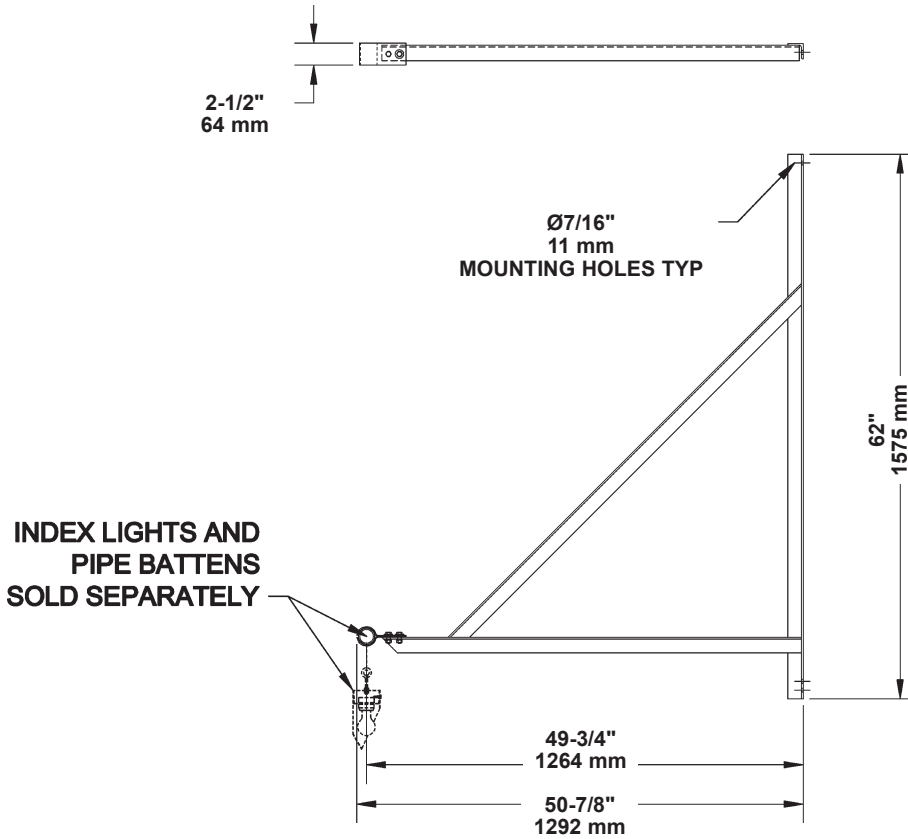


# Outrigger Bracket

- Used to support outrigger battens in front of the Guide Wall.
- Use 015-67R Pipe Batten with these brackets to form the outrigger.
- Outrigger battens are used to support index lights or act as a scenery bumper.
- Use on 10' (254 m) maximum centers.
- Optional 6" x 6" (152 mm x 152 mm) wall plate with 12" (304 mm) sleeve available to attach batten end to a wall.
- Brackets typically attach to J-Guide, A-Guide, or T-Bar Guide wall battens.



## Dimensions



## Order Information

Number	Description	Weight
015-96	Outrigger Bracket w/1-1/2" (38 mm) half clamp	30 lbs. (13.6 kg)
015-96WS	Wall sleeve for 1-1/2" (38 mm) schedule 40 pipe batten	4 lbs. (1.8 kg)
015-96WSH	Wall sleeve for 1-1/2" (38 mm) schedule 80 pipe batten	6 lbs. (2.7 kg)



© 2018 Wenger Corporation  
USA/2018-03/W



WENGER CORPORATION Phone 800.4WENGER (493-6437) Worldwide +1.507.455.4100 | Parts & Service 800.887.7145 | Canada Office 800.268.0148 | wengercorp.com  
555 Park Drive, PO Box 448 | Owatonna MN 55060-0448

JR CLANCY Phone 800.836.1885 Worldwide +1.315.451.3440 | jrclancy.com | 7041 Interstate Island Road | Syracuse NY 13209-9713

GEARBOSS Phone 800.493.6437 | email gearboss@wengercorp.com | gearboss.com | 555 Park Drive, PO Box 448 | Owatonna MN 55060-0448