

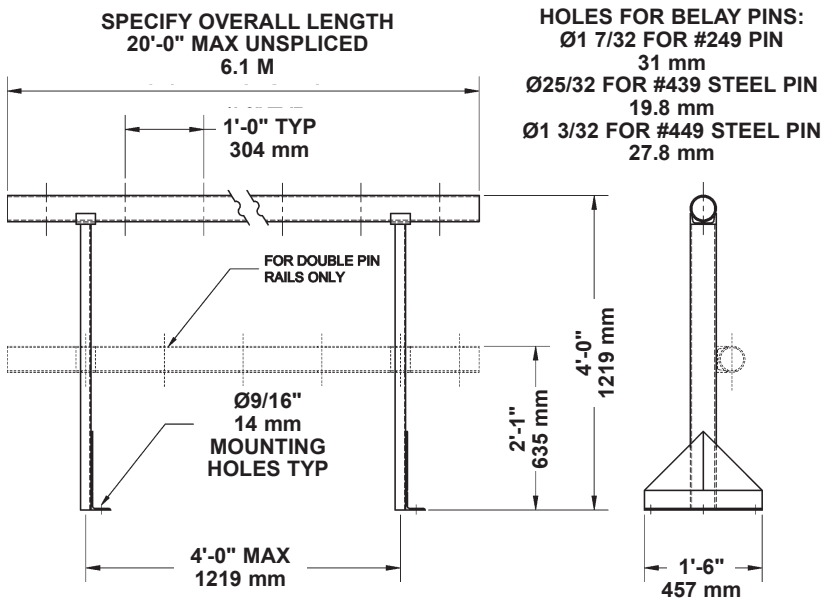
Pin Rail & Accessories

- Pin rails are designed to allow the user to insert belaying pins to tie-off rope rigging.
- The pin rail is made of 3-1/2" (89 mm) pipe with holes for belaying pins on 12" (305 mm) centers supported by 4" (102 mm) channel legs.
- Double pin rails have two pipes so that non-moving pieces may be tied off to one pipe and the other used for the active sets. Also for double trims.
- Wood and steel belaying pins are available.
- Sand bags may be used to counterbalance the load.
Sand bags are made from ballistic nylon, with a forged safety hook, and Velcro™ closure.
Dry sand (not supplied) can be added or removed to accurately balance a load.



Pin Rail with Belaying Pins and Sand Bag
015-520R

Dimensions



Order Information

Number	Description	Weight
Pin Rails		
015-520R	Single Pin Rail	25 lbs./ft. (37 kg/m)
015-520D	Double Pin Rail	45 lbs./ft. (66.9 kg/m)
Belaying Pins		
015-249	21" (533 mm) Wooden Belaying Pin, 1-5/32" (29 mm) Diameter	1 lb./ea. (0.45 kg/ea.)
015-439	Steel Belaying Pin, 3/4" (19 mm) Diameter	2 lbs./ea. (0.9 kg/ea.)
015-449	Steel Belaying Pin, 1-1/16" (29 mm) Diameter	2.2 lbs./ea. (1 kg/ea.)

Number	Description	Weight
Sand Bags		
015-SB25	25 lb. (11.3 kg) Sand Bag	1 lb./ea. (0.45 kg/ea.)
015-SB50	50 lb. (22.6 kg) Sand Bag	1 lb./ea. (0.45 kg/ea.)
015-SB100	100 lb. (45.3 kg) Sand Bag	2 lbs./ea. (0.9 kg/ea.)
015-1SB150	150 lb. (68 kg) Sand Bag	2 lbs./ea. (0.9 kg/ea.)



© 2017 Wenger Corporation
USA/2017-12/W

