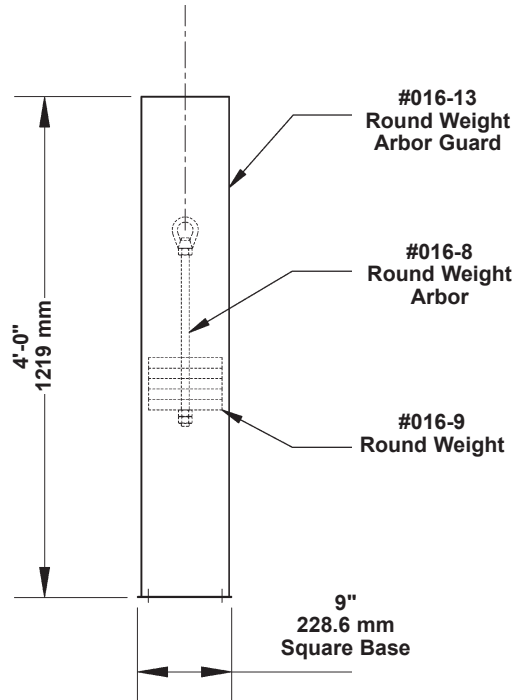


Round Weight Arbor Components

- Round weights are used to tension fire lines, dashpot cables, and overbalance clutch levers.
- Round weight arbors hold 1 to 10 round weights.
- An arbor guard is available.

Dimensions



Order Information

Number	Description	Weight
016-8	Round Weight Arbor	3 lbs. (1.36 kg)
016-9	Round Weight	5 lbs. (2.7 kg)
016-13	Round Weight Arbor Guard	15 lbs. (6.8 kg)



© 2017 Wenger Corporation
USA/2017-12/W

