

# SceneControl® 24+ Motion Control System

The SceneControl® 24+ console starts with the reimagined control software that sets the entire SceneControl console family apart from the pack. There's no limit to the number of shows you can program, or the number of cues per show, or even to the complexity of the cues. Multi-level cueing, grouping, and control of an unlimited number of axes per cue make this console the perfect partner for venues that present major touring productions or a wide repertoire in a single season.

## Applications

Large venues running complex performances that may also want to consider 3D flight path programming such as: Theatres, Performing Arts Centers, Concert and Opera Houses, Arenas, Colleges and Universities, Casinos, Touring

## Features

- Unlimited programming of shows
- Unlimited numbers of cues per show
- Unlimited number of channels (axes)
- Redundant Parallel Processing computer including hard drive, processor, video card and OS
- External USB ports for copying files or connecting approved input devices
- Multiple consoles can be networked together (requires network storage device)
- Motion commands initiated and maintained by hard-wired, illuminated push buttons that are not part of any touch screen function
- Start/Stop on axis multiple times within a cue or send an axis to multiple targets
- Run more than one cue at a time
- Run repetitive motion loops
- Change the speed of an axis in motion
- Create motion profiles based on time or velocity
- User ID and passwords which give the ability to restrict functions to appropriate users
- Multi-language supporting English plus two additional languages. Accepts input of Western, Russian, Asian and Arabic characters
- Integrated 3D wireframe view which operators may select axes to operate
- Data can be presented in units of feet/inches, decimal feet, meters or as a percentage
- Grouping with the ability to synchronize any number of hoists into a control group
- Create an unlimited set of macros for frequently used functions
- System critical actions are recorded and automatically saved in a time-stamped file

## Options

- SIL3 Emergency Stop Upgrade
- Load Sensing
- 3D Flight path programming
- Server or Network Storage Space (NAS)
- Remote access to a service technician via a secure access device



*Continued on the following page.*

## Specifications

- Unlimited programming of shows
- Unlimited number of channels (axes)
- Multilingual interface
- Illuminated software function macros keys
- Unlimited numbers of cues per show
- Synchronized group operation
- Illuminated STOP/GO buttons

## Safety

- Emergency Stop Operator
- Safety constraint algorithms
- Status/Alarm page
- Hold-to-Run bar
- Multi-level security
- Event log

## Networking and Processing

- Networks with other J.R. Clancy consoles
- 32G Hard drive free storage space
- Redundant Parallel Processing
- 3D Flight path programming capable

## Monitors and Screens

- Dual 24" 1920 x 1080 TFT HDMI monitors
- Full QWERTY keyboard
- 2 Joysticks for axis jogging
- 15.6" 1080p capacitive Master Helm touch screen
- Touchpad

## Weight

- Without external monitors: 64 lbs. (29 kg)
- With external monitors: 96 lbs. (43.5 kg)

## Dimensions

- Without external monitors: 31.5" w x 23.5" d x 3.75" h (800 mm x 600 mm x 95 mm)
- With external monitors: 31.5" w x 23.5" d x 22" h (680 mm x 600 mm x 558 mm)

## System

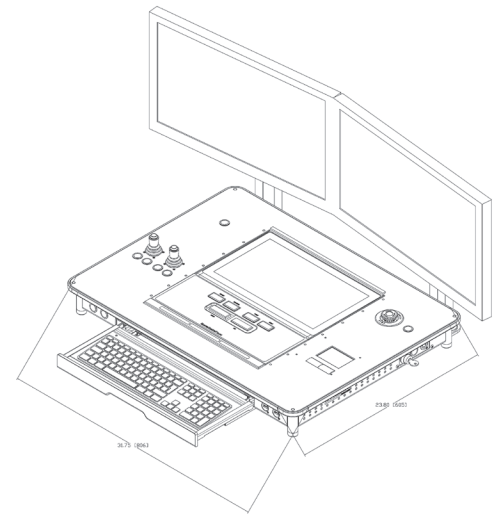
- Operating System: MS Windows embedded
- Motion Control Software: Raynok for J.R. Clancy

## Warranty and Support

**Three-Year Warranty** against defects in materials or workmanship is provided on all J.R. Clancy equipment. Our warranty is contingent on operation by trained personnel and an annual equipment inspection of a J.R. Clancy authorized technician.

**24/7 factory technical support** with additional service and assistance provided by a worldwide network of J.R. Clancy authorized dealers.

**Inspection and maintenance** are available through J.R. Clancy's T.I.M.® (Train, Inspect, Maintain) Program. For more information call 1-800-836-1885 or email [service@jrclancy.com](mailto:service@jrclancy.com).



## Order Information

Number	Description
064-SC24+	SceneControl® 24+ Console

**Wenger**

**JRCLANCY**

**GEARBOSS**

© 2018 Wenger Corporation  
USA/2018-03/W



**WENGER CORPORATION** Phone 800.4WENGER (493-6437) Worldwide +1.507.455.4100 | Parts & Service 800.887.7145 | Canada Office 800.268.0148 | [wengercorp.com](http://wengercorp.com)  
555 Park Drive, PO Box 448 | Owatonna MN 55060-0448

**JR CLANCY** Phone 800.836.1885 Worldwide +1.315.451.3440 | [jrclancy.com](http://jrclancy.com) | 7041 Interstate Island Road | Syracuse NY 13209-9713

**GEARBOSS** Phone 800.493.6437 | email [gearboss@wengercorp.com](mailto:gearboss@wengercorp.com) | [gearboss.com](http://gearboss.com) | 555 Park Drive, PO Box 448 | Owatonna MN 55060-0448