

SceneControl® 5300 Rigging Control System

No matter how many scene changes and effects a show requires, the SceneControl® 5300 console takes on the challenge. There's no limit to the number of cues per show, or the number of shows you can create. With 48 different axes (channels), operators have plenty of capacity for complex moves onstage, even when several moves take place at the same time. Operators can keep a close eye on everything in motion using the 3D wireframe view of the performer space and axes.

Applications

Medium-sized venues requiring a compact, yet multipurpose, motion controller that may also want to consider 3D flight path programming such as: Theatres, Concert and Opera Houses, Colleges and Universities, High Schools, Houses of Worship

Features

- Unlimited programming of shows
- Unlimited numbers of cues per show
- Up to 48 channels (axes)
- External USB ports for copying files or connecting approved input devices
- Multiple consoles can be networked together (requires network storage device)
- Motion commands initiated and maintained by hard-wired, illuminated push buttons that are not part of any touch screen function
- Start/Stop on axis multiple times within a cue or send an axis to multiple targets
- Run more than one cue at a time
- Run repetitive motion loops
- Change the speed of an axis in motion
- Create motion profiles based on time or velocity
- User ID and passwords which give the ability to restrict functions to appropriate users
- Multi-language supporting English plus two additional languages. Accepts input of Western, Russian, Asian and Arabic characters
- Integrated 3D wireframe view which operators may select axes to operate
- Data can be presented in units of feet/inches, decimal feet, meters or as a percentage
- Grouping with the ability to synchronize any number of hoists into a control group
- Create an unlimited set of macros for frequently used functions
- System critical actions are recorded and automatically saved in a time-stamped file

Options

- SIL3 Emergency Stop Upgrade
- Load Sensing
- 3D Flight path programming
- Server or Network Storage Space (NAS)
- Remote access to a service technician via a secure access device



Continued on the following page.

Specifications

- Unlimited programming of shows
- Up to 48 channels (axes)
- Multilingual interface
- Illuminated software function macros keys
- Unlimited numbers of cues per show
- Synchronized group operation
- Illuminated STOP/GO buttons

Safety

- Emergency Stop Operator
- Safety constraint algorithms
- Status/Alarm page
- Hold-to-Run bar
- Multi-level security
- Event log

Networking and Processing

- Networks with other J.R. Clancy consoles
- 32G Hard drive free storage space
- 3D Flight path programming capable

Monitors and Screens

- Desktop integrated 15.6" 1080p capacitive touch screen
- Full QWERTY keyboard
- Joystick for axis jogging

Weight

- 46 lbs. (21 kg)

Dimensions

- 21.5"W x 23.5"D x 3.75"H (550mm x 600mm x 95mm)

System

- Operating System: MS Windows embedded
- Motion Control Software: Raynok for J.R. Clancy

Warranty and Support

Three-Year Warranty against defects in materials or workmanship is provided on all J.R. Clancy equipment. Our warranty is contingent on operation by trained personnel and an annual equipment inspection of a J.R. Clancy authorized technician.

24/7 factory technical support with additional service and assistance provided by a worldwide network of J.R. Clancy authorized dealers.

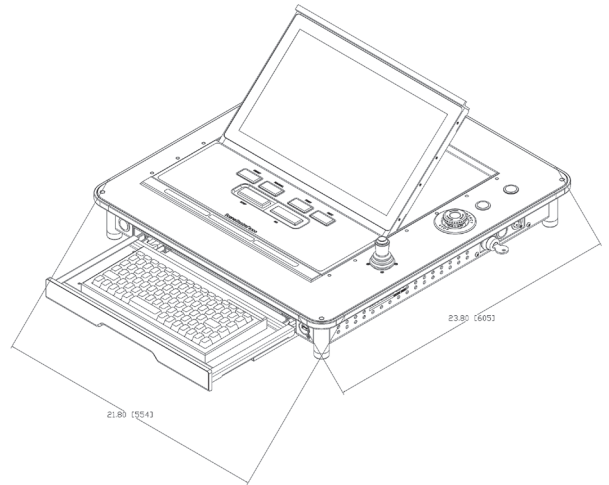
Inspection and maintenance are available through J.R. Clancy's T.I.M.® (Train, Inspect, Maintain) Program. For more information call 1-800-836-1885 or email service@jrclancy.com.

Additional Information

Additional information on J.R. Clancy systems is available at www.jrclancy.com.

Order Information

Number	Description
064-SC5300-CNSL	SceneControl® 5300 Console



Wenger

JRCLANCY

GEARBOSS

© 2017 Wenger Corporation
USA/2017-12/W



WENGER CORPORATION Phone 800.4WENGER (493-6437) Worldwide +1.507.455.4100 | Fax 507.455.4258 Worldwide +1.507.774.8576
Parts & Service 800.887.7145 | Canada Office 800.268.0148 | Web wengercorp.com | 555 Park Drive, PO Box 448 | Owatonna | MN 55060-0448

JR CLANCY Phone 800.836.1885 Worldwide +1.315.451.3440 | Fax 877.836.1885 Worldwide +1.315.451.1766 | Web jrclancy.com
7041 Interstate Island Road | Syracuse | NY 13209-9713

GEARBOSS Phone 800.493.6437 | email gearboss@wengercorp.com | Web gearboss.com | 555 Park Drive, PO Box 448 | Owatonna | MN 55060-0448