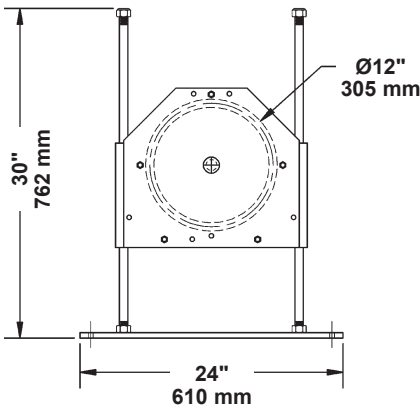
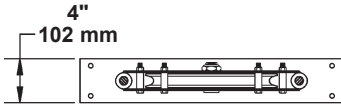


Sliding Tension Floor Blocks

- Used with manual fire curtains to provide proper tension in the hand line.
- 12" (305 mm) diameter ASTM Class 30 grey iron sheave with machined groove for 3/4" (19 mm) or 1" (25.4 mm) rope.
- Tapered roller bearings.
- Sheave "floats" on two 3/4" (19 mm) diameter rods.

Dimensions



#600-11217C100

Order Information

Number	Sheave Diameter	Groove	Weight
600-11217C75	12" (305 mm)	3/4" (19 mm)	40 lbs. (18.1 kg)
600-11217C100	12" (305 mm)	1" (25 mm)	40 lbs. (18.1 kg)



© 2017 Wenger Corporation
USA/2017-12/W

