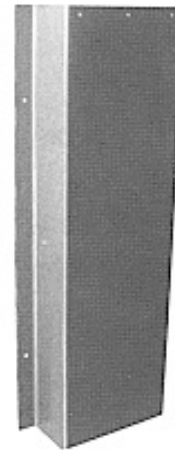


# Smoke Pockets

- Smoke pockets contain the sides of the curtain to reduce the passage of smoke and house the curtain guides.
- Pockets consist of a 6" (152 mm) or 8" (203 mm) deep "Z" channel and 18" (457 mm) wide plates, all formed from 1/4" (6.35 mm) steel plate in 5' (1.524 m) and 10' (3.048 m) lengths. The removable 18" (457 mm) plates make smoke pocket and curtain installation faster and simpler than one piece designs.
- 6" (152 mm) pockets are used with most straight lift curtains; 8" (203 mm) deep pockets are used with brail fire curtains.
- All connections are bolted for serviceability.
- Sections anchor to the building with 1/2" (12.7 mm) bolts or anchors on 4' (1.2 m) centers.
- Pockets with guide tracks are used for fire curtains with 016-370 roller guides.

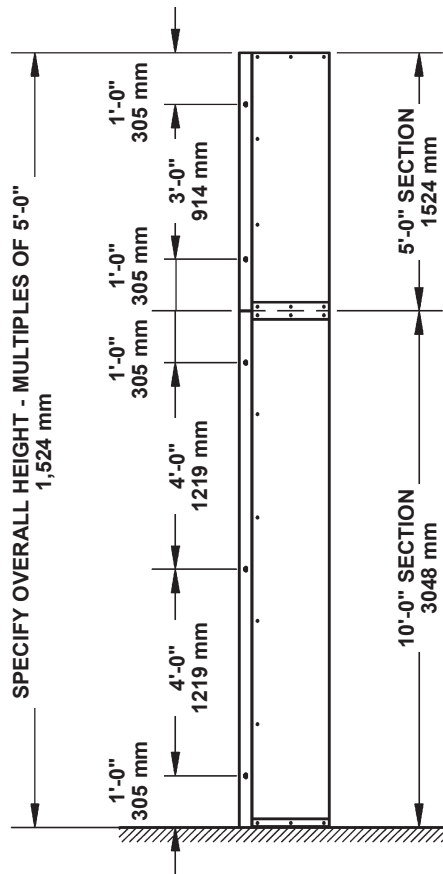
## Order Information

Number	Description	Weight
016-106005	6" Deep x 5' high (152 mm x 1.524 m) Smoke Pocket	111 lbs. (50.3 kg)
016-106010	6" Deep x 10' high (152 mm x 3.048 m) Smoke Pocket	222 lbs. (100.6 kg)
016-108005	8" Deep x 5' high (203 mm x 1.524 m) Smoke Pocket	119 lbs. (54 kg)
016-108010	8" Deep x 10' high (203 mm x 3.048 m) Smoke Pocket	238 lbs. (108 kg)
016-106T05	6" Deep x 5' high (152 mm x 1.524 m) Smoke Pocket with track	125 lbs. (56.7 kg)
016-106T10	6" Deep x 10' high (152 mm x 3.048 m) Smoke Pocket with track	250 lbs. (113.4 kg)

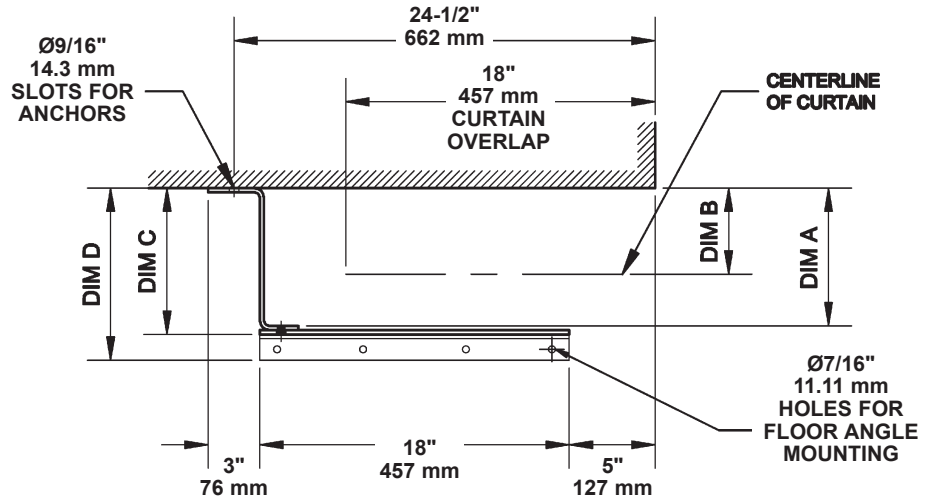


**Smoke Pocket  
016-106005**

# Dimensions



Typical Elevation



Typical Plan

Number	Height	Dim A	Dim B	Dim C	Dim D
016-106005	5' (1.5 m)	6" (152 mm)	3" (76 mm)	6-1/2" (165 mm)	8" (203 mm)
016-106010	10' (3.0 m)	6" (152 mm)	3" (76 mm)	6-1/2" (165 mm)	8" (203 mm)
016-108005	5' (1.5 m)	8" (203 mm)	5" (127 mm)	8-1/2" (216 mm)	10" (254 mm)
016-108010	10' (3.0 m)	8" (203 mm)	5" (127 mm)	8-1/2" (216 mm)	10" (254 mm)
016-106T05	5' (1.5 m)	6" (152 mm)	3" (76 mm)	6-1/2" (165 mm)	8" (203 mm)
016-106T10	10' (3.0 m)	6" (152 mm)	3" (76 mm)	6-1/2" (165 mm)	8" (203 mm)



© 2017 Wenger Corporation  
USA/2017-12/W



**WENGER CORPORATION**

Phone 800.4WENGER (493-6437) Worldwide +1.507.455.4100 | Fax 507.455.4258 Worldwide +1.507.774.8576  
Parts & Service 800.887.7145 | Canada Office 800.268.0148 | Web wengercorp.com | 555 Park Drive, PO Box 448 | Owatonna | MN 55060-0448

**JR CLANCY**

Phone 800.836.1885 Worldwide +1.315.451.3440 | Fax 877.836.1885 Worldwide +1.315.451.1766 | Web jrclancy.com  
7041 Interstate Island Road | Syracuse | NY 13209-9713

**GEARBOSS**

Phone 800.493.6437 | email gearboss@wengercorp.com | Web gearboss.com | 555 Park Drive, PO Box 448 | Owatonna | MN 55060-0448