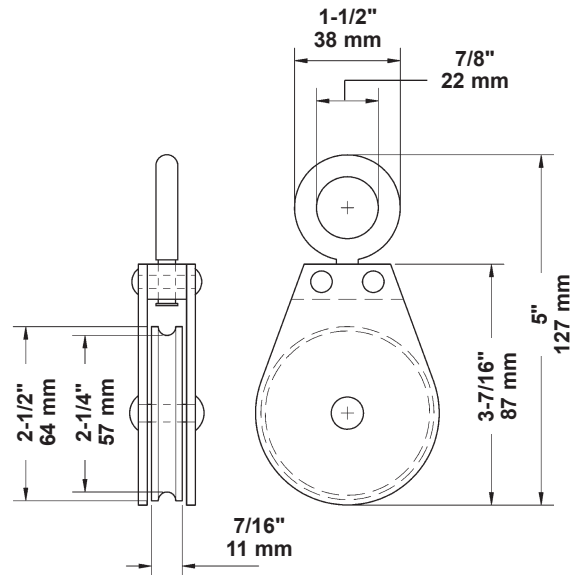


Swivel Eye Pulley

- Used in fire lines.
- 2-1/4" (57 mm) sheave grooved for 1/8" (3 mm) wire rope.
- Swivel eye with 7/8" (22 mm) diameter opening.

Dimensions



Swivel Eye Pulley
099-SWEP

Order Information

Number	Description	RWL	Weight
099-SWEP	Swivel Eye Pulley	250 lbs. (1.3 kg)	1 lbs. (0.45 kg)

RWL is based on an 8:1 safety factor.

RWL: RWL is maximum load that can be applied to the swivel eye pulley which is in "like new" condition and has been properly installed, maintained, and operated.



© 2017 Wenger Corporation
USA/2017-12/W



WENGER CORPORATION

Phone 800.4WENGER (493-6437) Worldwide +1.507.455.4100 | Fax 507.455.4258 Worldwide +1.507.774.8576
Parts & Service 800.887.7145 | Canada Office 800.268.0148 | Web wengercorp.com | 555 Park Drive, PO Box 448 | Owatonna | MN 55060-0448

JR CLANCY

Phone 800.836.1885 Worldwide +1.315.451.3440 | Fax 877.836.1885 Worldwide +1.315.451.1766 | Web jrclancy.com
7041 Interstate Island Road | Syracuse | NY 13209-9713

GEARBOSS

Phone 800.493.6437 | email gearboss@wengercorp.com | Web gearboss.com | 555 Park Drive, PO Box 448 | Owatonna | MN 55060-0448