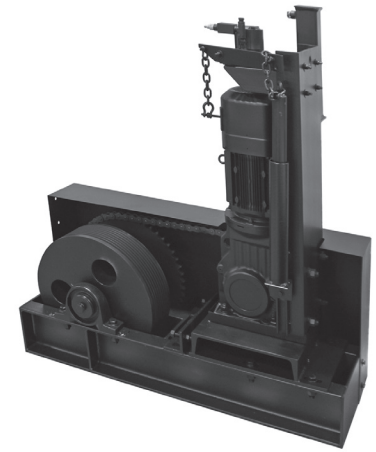
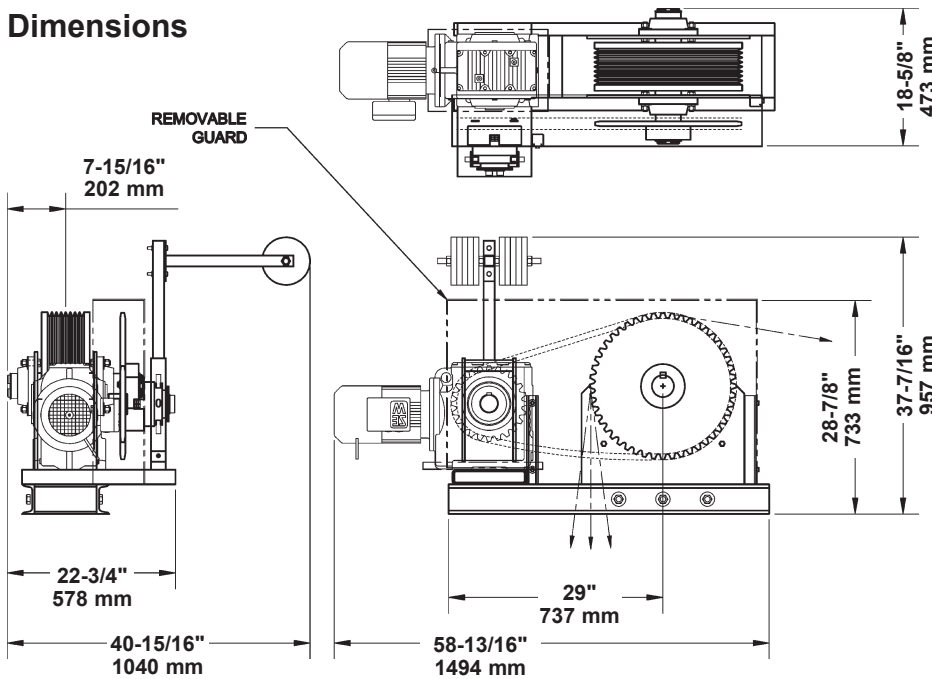


Traction Drive Hoist

- Used to motorize counterweighted straight lift fire curtains.
- V-grooves in the head block drive the lift line cables to open and close the curtain during normal operation.
- A clutch between the gearbox and the traction head block is held engaged by the fire line. When the fire line is released, the clutch is disengaged, allowing the head block to freewheel so that the curtain closes. The system must be curtain heavy.
- A separate dashpot or speed regulator may be necessary for speed control.
- Track-mounted limit switches limit the travel.
- Operates on 208, 230, or 460 VAC 3 phase power. Please confirm voltage at time of ordering.

Dimensions



Traction Drive Hoist

Order Information

Number	Description	RWL	Weight
016-2TW-2-L	Fire Curtain Traction Hoist 2000 lbs. (907 kg), 208V, Mounted Stage Left, 25 fpm (0.13 m/s)	2000 lbs. (907 kg)	1200 lbs. (544 kg)
016-2TW-2-R	Fire Curtain Traction Hoist 2000 lbs. (907 kg), 208V, Mounted Stage Right, 25 fpm (0.13 m/s)	2000 lbs. (907 kg)	1200 lbs. (544 kg)
016-2TW-3-L	Fire Curtain Traction Hoist 2000 lbs. (907 kg), 380-415V, Mounted Stage Left, 25 fpm (0.13 m/s)	2000 lbs. (907 kg)	1200 lbs. (544 kg)
016-2TW-3-R	Fire Curtain Traction Hoist 2000 lbs. (907 kg), 380-415V, Mounted Stage Right, 25 fpm (0.13 m/s)	2000 lbs. (907 kg)	1200 lbs. (544 kg)
016-2TW-4-L	Fire Curtain Traction Hoist 2000 lbs. (907 kg), 480V, Mounted Stage Left, 25 fpm (0.13 m/s)	2000 lbs. (907 kg)	1200 lbs. (544 kg)
016-2TW-4-R	Fire Curtain Traction Hoist 2000 lbs. (907 kg), 480V, Mounted Stage Right, 25 fpm (0.13 m/s)	2000 lbs. (907 kg)	1200 lbs. (544 kg)

RWL: RWL is maximum load that can be applied to the traction drive hoist which is in "like new" condition and has been properly installed, maintained, and operated.



© 2018 Wenger Corporation
USA/2018-04/W



WENGER CORPORATION Phone 800.4WENGER (493-6437) Worldwide +1.507.455.4100 | Parts & Service 800.887.7145 | Canada Office 800.268.0148 | wengercorp.com
555 Park Drive, PO Box 448 | Owatonna MN 55060-0448

JR CLANCY Phone 800.836.1885 Worldwide +1.315.451.3440 | jrclancy.com | 7041 Interstate Island Road | Syracuse NY 13209-9713

GEARBOSS Phone 800.493.6437 | email gearboss@wengercorp.com | gearboss.com | 555 Park Drive, PO Box 448 | Owatonna MN 55060-0448