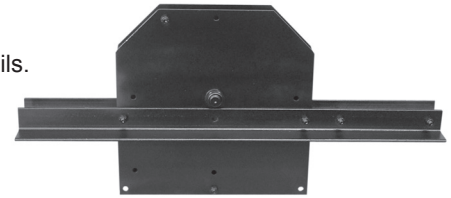


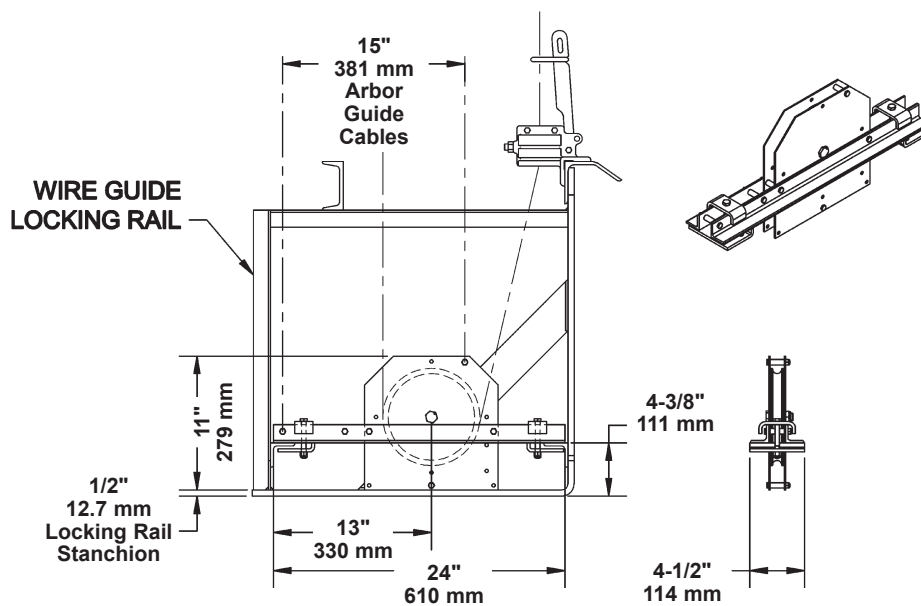
Wire Guide Floor Blocks

- Used with wire guide locking rail. Due to their limited travel, wire guided sets can use this economical fixed floor block.
- 8" (203 mm) diameter nylon or ASTM Class 30 grey iron sheave, grooved for 3/4" (19 mm) rope.
- Sealed precision 17 mm (.67") ball bearings.
- 12 gauge (2.65 mm) side plates fully enclose sheave.
- Additional spacers are provided for arbor guide wire attachment.
- Floor block clip package includes mounting hardware for attachment to 011-518 locking rails.



**Wire Guide Floor Block
600-10855C75**

Dimensions



Order Information

Number	Sheave Diameter	Material	Weight
600-10855C75	8" (203 mm)	Cast Iron	18 lbs. (8.2 kg)
600-10855N75	8" (203 mm)	Nylon	15 lbs. (6.8 kg)
070-FBCP	-	Floor Block Clip Package	3.5 lbs. (1.6 kg)



© 2017 Wenger Corporation
USA/2017-12/W

