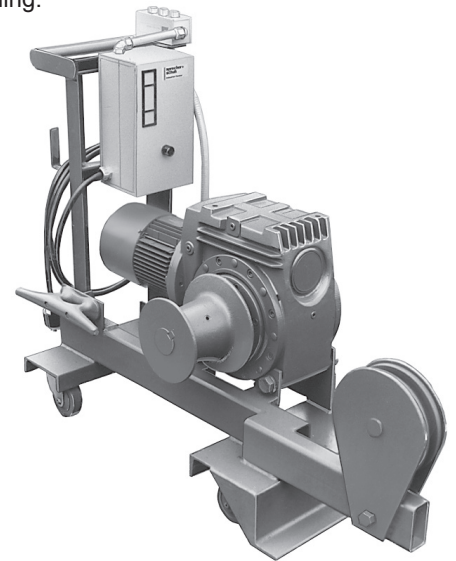


Capstan Hoist

- Mobile capstan hoists are used to pull out-of-balance counterweight arbors down for loading.
- Fully self contained, the hoist has an integral motor, brake, capstan drum, starter and controls.
- Foot switch allows use of both hands to manage the hauling line.
- The base has fixed and swivel casters for easy positioning, and a front lip to engage a reaction bar in the locking rail or floor. Reaction rail provided separately.
- Hoists include 150' (45.75 m) of 3/4" (19 mm) SureGrip® rope with a forged safety hook.
- Supplied with 40' (12 m) of power cord with NEMA connector, mating receptacle and junction box.

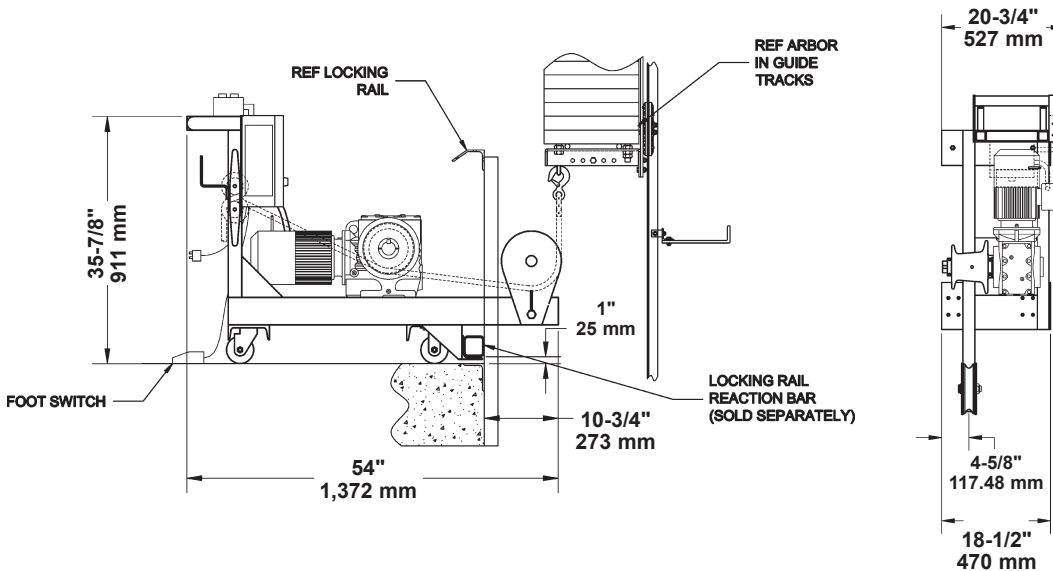
Power Requirements

Model	Voltage	Full Load Amps
3 Phase 60 Hz	208	6.3
3 Phase 60 Hz	230	5.7
3 Phase 60 Hz	460	2.85
3 Phase 50 Hz	380	3.3



Mobile Capstan Hoist
018-416

Dimensions



Order Information

Number	Description	Weight
018-416	Mobile Capstan Hoist 1500 lbs. (680 kg), 35 fpm (0.178 m/s)	400 lbs. (181 kg)



© 2017 Wenger Corporation
USA/2017-12/W

