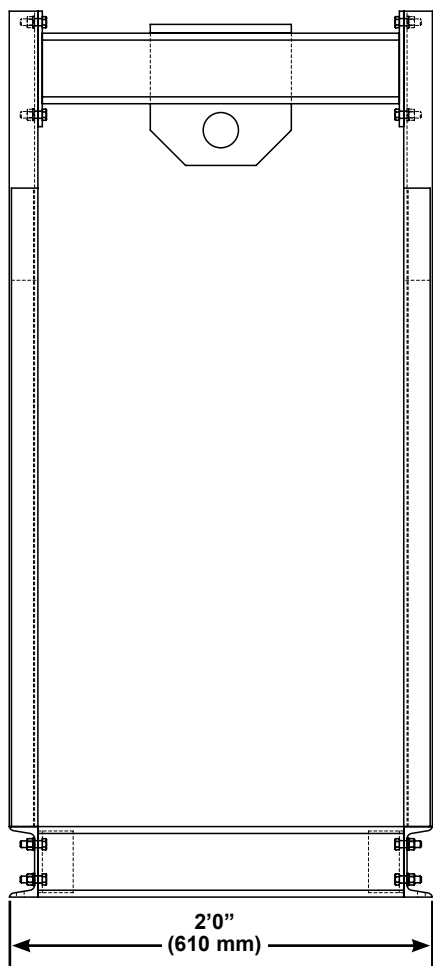


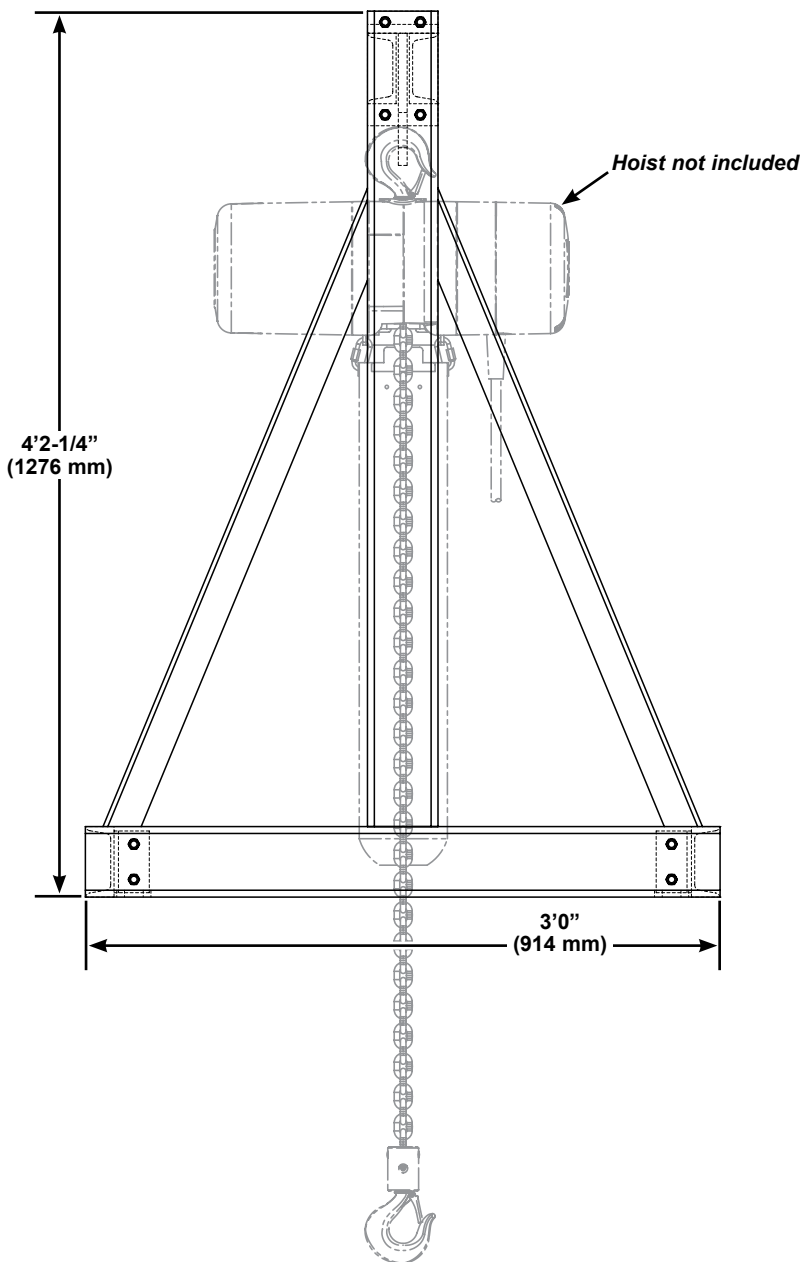
Chain Hoist Grid Stand

- 2200 lb (998 kg) capacity.
- Stable base allows stand to be moved around the grid and used without additional anchoring.
- Sliding adjustable chain hoist support bracket for positioning.
- Can be disassembled for storage.
- Rugged steel construction.

Dimensions



Front View



Side View

Order Information

Number	Working Load Limit	Weight
015-2732	2200 lb (998 kg)	250 lb (113 kg)



© 2018 Wenger Corporation
USA/2018-11/W



WENGER CORPORATION

Phone 800.4WENGER (493-6437) Worldwide +1.507.455.4100 | Parts & Service 800.887.7145 | Canada Office 800.268.0148 | wengercorp.com
555 Park Drive, PO Box 448 | Owatonna MN 55060-0448

JR CLANCY

Phone 800.836.1885 Worldwide +1.315.451.3440 | jrclancy.com | 7041 Interstate Island Road | Syracuse NY 13209-9713

GEARBOSS

Phone 800.493.6437 | email gearboss@wengercorp.com | gearboss.com | 555 Park Drive, PO Box 448 | Owatonna MN 55060-0448