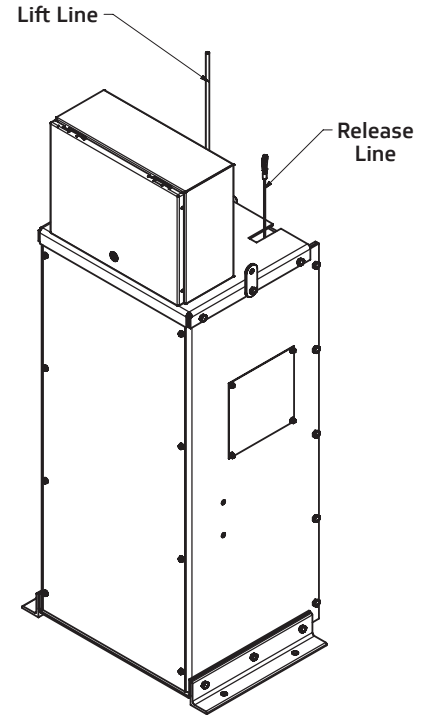
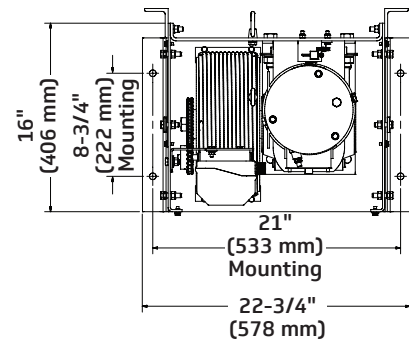
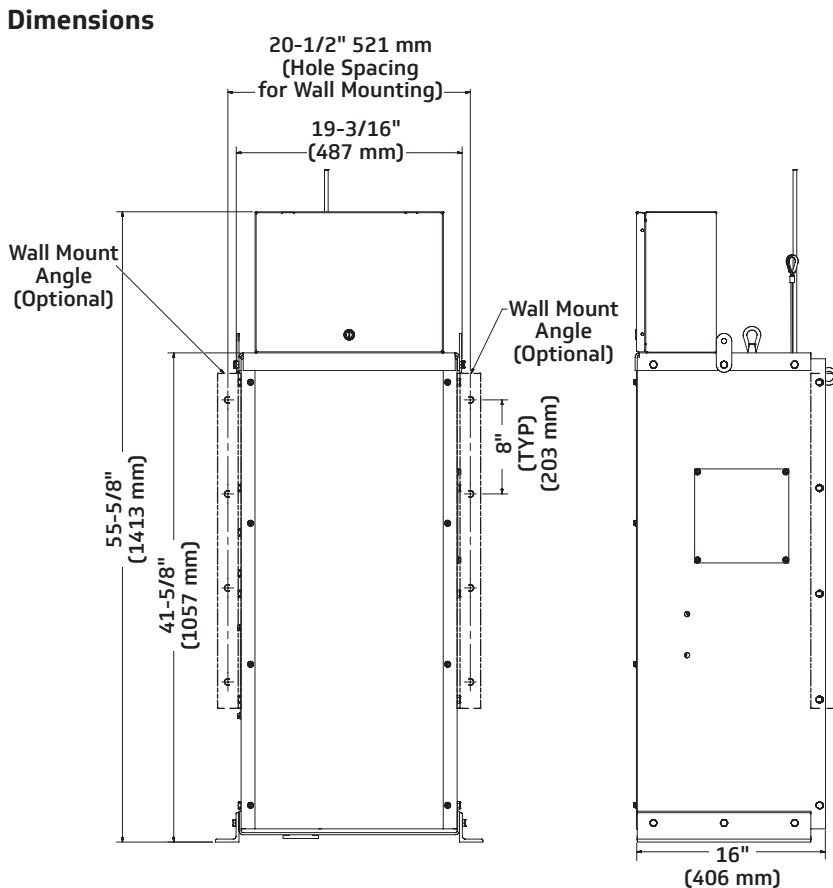


Deck/Wall Mounted Fire Curtain Hoist

- Manufactured to Federal Specification RRC-271-E
- Motorized fire curtain hoist with integral speed regulation used to raise and lower fire curtains - up to 1,100 lb (499 kg)
Note: Hoist is designed for constant load between 500 lb (227 kg) and 1,100 lb (499 kg);
 brail curtains may require additional pipe weight to operate properly.
- Weight: 550 lb (249 kg)
- Max travel: Up to 30' (9144 mm)
- Available as wall mount or floor mount
- Push button control stations for easy operation
- Emergency lowering speed controlled by hydraulic speed regulator
- 50' (15.24 m) of 5/16" (8 mm) of drive line included
- Meets requirements of ANSI E1.22 – 2016 "Entertainment Technology Fire Safety Curtain Systems" or NFPA 80 "Standard for Fire Doors and Other Opening Protectives – 2016"
- Control station included
- Available for operation on 208, 380 or 480 VAC 3 phase power, please confirm voltage at time of ordering
- Three-year warranty against defects in materials or workmanship is provided on all J.R. Clancy equipment, additional warranty information is available at jrclancy.com



Motorized Fire Curtain Hoist



Order Information

Model	Mounting	Voltage
016-501P-2-F	Floor	208V 60hz
016-501P-2-W	Wall	208V 60hz
016-501P-3-F	Floor	380V 50hz
016-501P-3-W	Wall	380V 50hz
016-501P-4-F	Floor	480V 60hz
016-501P-4-W	Wall	480V 60hz

