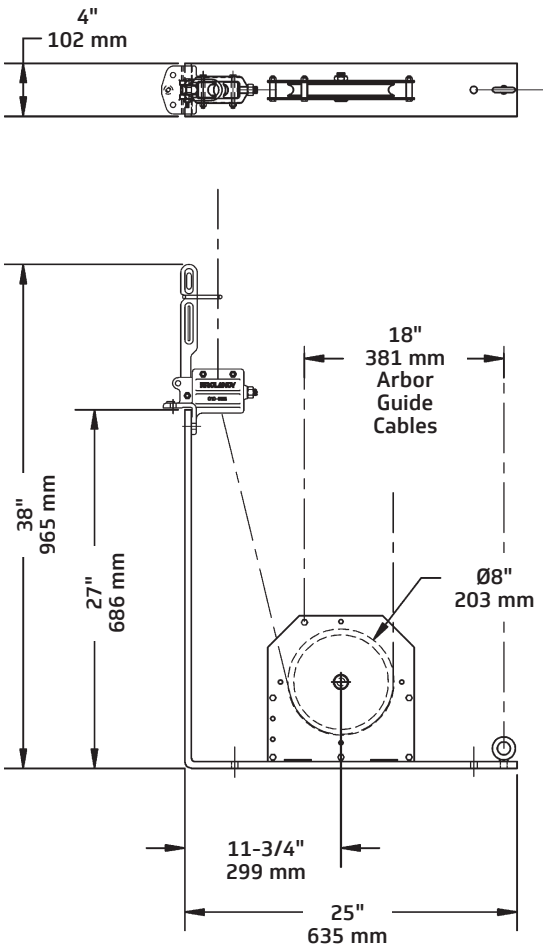


# Fixed Combination Floor Blocks

- Used with individual wire-guided, J-Guide, or T-Bar sets
- Economical, fixed floor block for use on sets with limited travel
- Rope lock (010-533R) and floor block in a single unit
- 8" (203 mm) diameter nylon sheave or ASTM Class 30 grey iron sheave, grooved for 3/4" (19 mm) rope
- Sealed precision 17 mm (.67") ball bearings
- Incorporates tie off points for guide wires
- Three-year warranty against defects in materials or workmanship is provided on all J.R. Clancy equipment, additional warranty information is available at jrclancy.com

## Dimensions



**Fixed Combination Floor Block  
600-10818C75**

## Order Information

Number	Sheave Diameter	Sheave Material	Weight
600-10818C75	8" (203 mm)	Cast Iron	49 lb (22.2 kg)
600-10818N75	12" (305 mm)	Nylon	46 lb (20.9 kg)

