

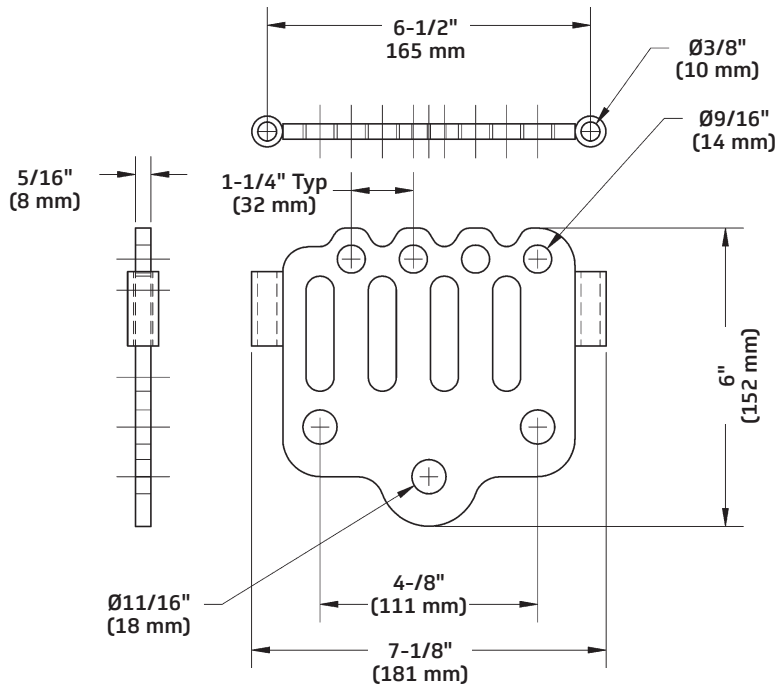
Guided Cable Clew

- Allows one or two drive lines to connect to up to eight lift lines
- 5/16" (8 mm) thick steel plate with holes for cable and drive lines, plus two guide spools
- The design permits the use of lines on tight centers such as are found near multi-groove sheaves
- Three-year warranty against defects in materials or workmanship is provided on all J.R. Clancy equipment, additional warranty information is available at jrclancy.com



**Guided Cable Clew
015-27X8**

Dimensions



Order Information

Number	Description	RWL	Weight
015-27X8	8 Line Guided Cable Clew	*	5 lb (2.26 kg)
<p>*RWL is 1500 lb (680 kg) with a single drive line, or 2500 lb (1134 kg) with two drive lines.</p> <p>RWL: RWL is maximum load that can be applied to the guided cable clew which is in "like new" condition and has been properly installed, maintained, and operated.</p>			

