

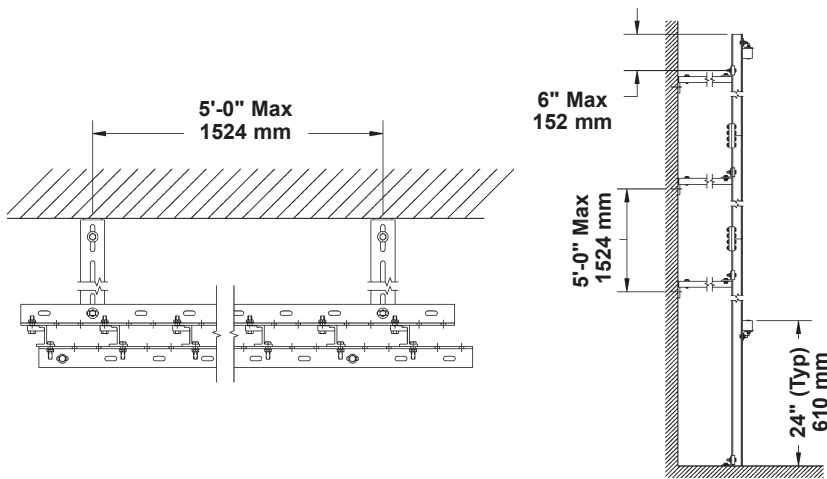
J-Guide™ Systems

- Lightweight aluminum guide system for counterweight arbors.
- 1-1/2" x 1-3/4" x 3/16" (38 mm x 44 mm x 5 mm) guide.
- Averages 40% less time to install than steel T-Bar.
- 6" (152 mm) and 8" (203 mm) centers are standard, other centers are available.
- J-Guide systems supplied complete with required J-Guide, wall battens, stop battens, splices, adjustable wall knees, bolts, nuts, and washers.
- Adjustable wall knees allow simple, on site adjustment to meet field conditions.
- Vertical J's are connected to wall battens with self-aligning clamps, for fast installation.
- Horizontal wall battens and stop battens are pre-punched 1-3/4" x 1-3/4" x 3/16" (44.5 mm x 44.5 mm x 5 mm) steel angle, with holes on 2" (51 mm) centers. These allow simple adjustment of guide location to accommodate field conditions.
- Optional 2" x 2" (50.8 mm x 50.8 mm) hardwood or hardwood with neoprene bumpers are available for stop battens.



J-Guide System
012-1650
US Patent 6,537,155

Dimensions



Order Information

Guide systems are ordered in linear feet of guide required (number of runs of J x height of guide).

Number	Description	Weight
012-1650	J-Guide System, natural finish	3 lbs./ft. (4.46 kg/m)
012-1650B	J-Guide System, black anodized finish	3 lbs./ft. (4.46 kg/m)
112-1H	2" x 2" (51 mm x 51 mm) Hardwood stop batten	3.5 lbs./ft. (5.8 kg/m)
112-1N	2" x 2" (51 mm x 51 mm) Hardwood stop batten	4 lbs./ft. (5.9 kg/m)



© 2017 Wenger Corporation
USA/2017-12/W

