

J-Guide/T-Bar Single Purchase Arbors

- Used in J-Guide/T-Bar guided systems to hold counterweight that balances the batten load
- Arbor tops and bottoms are fabricated 1/4" (6 mm) steel weldments with a bolt and spacer for hand line termination
- Arbor tops are punched to accept 8 cables
- Two 3/4" (19 mm) steel arbor rods have three nuts at top and bottom
- Each rod has a retaining collar with a thumbscrew incorporating an easy-to-grip plastic knob
- Front collar is welded to top spreader plate for additional security
- 12 gauge (3 mm) steel spreader plate every 2' (610 mm) (minimum 2)
Labels on the back bar show safety information and proper location for spreader plates
- 3/8" x 3" (10 mm x 76 mm) steel back bar, with two guide assemblies
- Standard polypropylene guide shoes allow for on site adjustment for 6" (154 mm) or 8" (203 mm) set centers; other shoe types and centers are available
- Arbors are provided with easy-to-read, self-adhesive set numbers
- Three-year warranty against defects in materials or workmanship is provided on all J.R. Clancy equipment, additional warranty information is available at jrclancy.com

Order Information

Number	Length*	Capacity+ 4" (102 mm) Weights	Capacity+ 6" (152 mm) Weights	Weight
007-15X04	4' (1219 mm)	504 lb (229 kg)	782 lb (335 kg)	56 lb (25.4 kg)
007-15X05	5' (1524 mm)	672 lb (305 kg)	1043 lb (473 kg)	63 lb (28.5 kg)
007-15X06	6' (1829 mm)	841 lb (381 kg)	1303 lb (591 kg)	71 lb (32.2 kg)
007-15X07	7' (2134 mm)	1009 lb (458 kg)	1564 lb (704 kg)	78 lb (35.4 kg)
007-15X08	8' (2437 mm)	1177 lb (534 kg)	1825 lb (828 kg)	85 lb (38.5 kg)
007-15X09	9' (2743 mm)	1345 lb (610 kg)	2086 lb (946 kg)	92 lb (41.7 kg)
007-15X10	10' (3048 mm)	1514 lb (687 kg)	2346 lb (1064 kg)	99 lb (44.9 kg)
007-15X11	11' (3353 mm)	1682 lb (763 kg)	2607 lb (1182 kg)	106 lb (48 kg)
007-15X12	12' (3658 mm)	1850 lb (839 kg)	2868 lb (1301 kg)	113 lb (51.25 kg)
007-15X13	13' (3962 mm)	2018 lb (915 kg)	3129 lb (1491 kg)	122 lb (55.3 kg)

*Overall length is 8" (203 mm) longer than the nominal length.
+Average Capacity using J.R. Clancy steel counterweights.
RWL: RWL is maximum load that can be applied to the arbor which is in "like new" condition and has been properly installed, maintained, and operated.



J-Guide/T-Bar
Arbor
Single Purchase
007-15X04

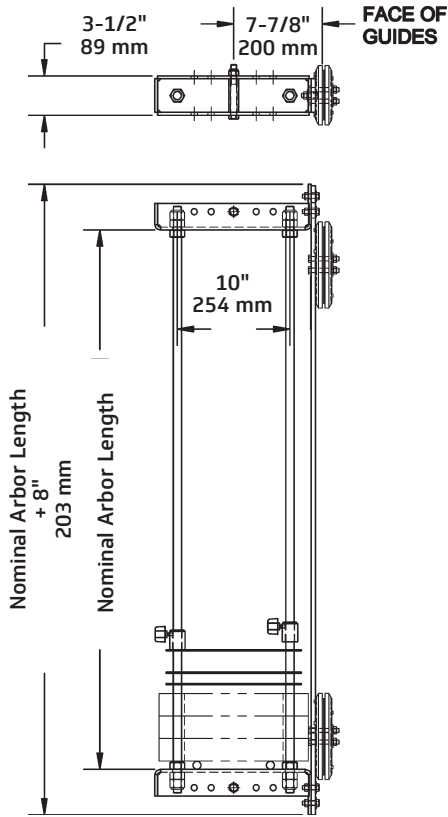
Options

Number	Description	Weight
048-3/4EN	3/4" (19 mm) Eye Nut	2 lb (0.9 kg)



**Eye Nut
048-3/4EN**

Dimensions



© 2024 Wenger Corporation
USA/2024-03

Minnesota Location Wenger Phone 800.4WENGER (493-6437) Wenger Worldwide +1.507.455.4100 | Parts & Service 800.887.7145 | wengercorp.com

GearBoss Phone 800.493.6437 | gearboss.com
555 Park Drive, PO Box 448 | Owatonna | MN 55060

New York Location J.R. Clancy Phone 800.836.1885 JR Clancy Worldwide +1.315.451.3440 | jrclancy.com | 7041 Interstate Island Road | Syracuse | NY 13209