

Lattice Track Arbors

- Used in single purchase lattice track guided systems to hold counterweight that balances the batten load.
- Arbor tops and bottoms are fabricated 1/2" (13 mm) steel plates with brass guides that engage the lattice track.
- Arbor tops have 7 gauge (4.55 mm) steel plates with holes for lift line terminations and bolt and spacer for the hand line termination. Label on top provides safety information and locations for spreader plates.
- Arbor tops are punched to accept 8 cables.
- Two 3/4" (19 mm) steel arbor rods have three nuts at top and bottom.
- Each rod has a retaining collar with a thumbscrew incorporating an easy-to-grip plastic knob.
- 12 gauge (2.65 mm) steel spreader plate every 2' (0.6 m) (minimum 2).
- Lattice track systems are used for individual counterweight sets such as act curtains and fire curtains.
- A dashpot channel (078-DPC) option is available for use with dashpots in fire curtain systems. This channel is factory welded to the top of the arbor to engage the swaged ball on the dashpot line, causing the dashpot to slow the curtain descent during the last portion of its travel.

Order Information

Number	Length*	Capacity+ 4" (102 mm) Weights	Capacity+ 6" (152 mm) Weights	Weight
007-84X04	4' (1.2 m)	504 lbs. (229 kg)	782 lbs. (335 kg)	35 lbs. (15.9 kg)
007-84X05	5' (1.5 m)	672 lbs. (305 kg)	1043 lbs. (473 kg)	38 lbs. (17.2 kg)
007-84X06	6' (1.8 m)	841 lbs. (381 kg)	1303 lbs. (591 kg)	41 lbs. (18.6 kg)
007-84X07	7' (2.13 m)	1009 lbs. (458 kg)	1564 lbs. (704 kg)	44 lbs. (19.9 kg)
007-84X08	8' (2.4 m)	1177 lbs. (534 kg)	1825 lbs. (828 kg)	47 lbs. (21.3 kg)

*Overall length is 6" (152 mm) longer than the nominal length.

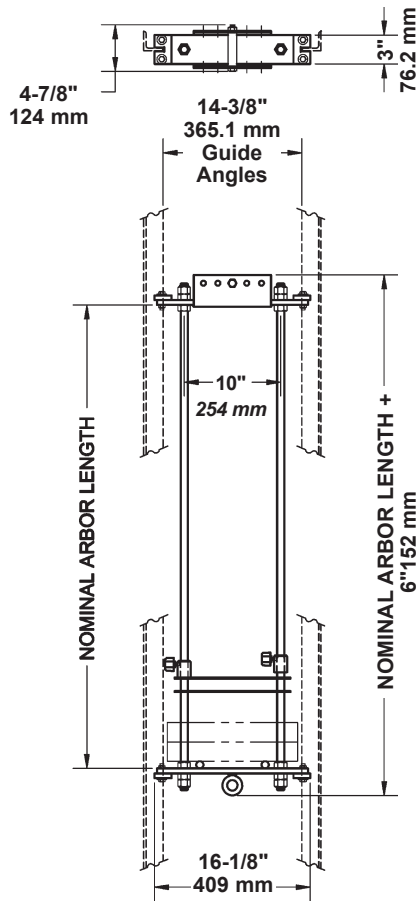
+Average Capacity using J.R. Clancy steel counterweights.

RWL: RWL is maximum load that can be applied to the arbor which is in "like new" condition and has been properly installed, maintained, and operated.

Options

Number	Description
078-DPC	Dashpot Channel

Dimensions



Wenger

JRCLANCY

GEARBOSS

© 2017 Wenger Corporation
USA/2017-12/W



WENGER CORPORATION

Phone 800.4WENGER (493-6437) Worldwide +1.507.455.4100 | Fax 507.455.4258 Worldwide +1.507.774.8576
Parts & Service 800.887.7145 | Canada Office 800.268.0148 | Web wengercorp.com | 555 Park Drive, PO Box 448 | Owatonna | MN 55060-0448

JR CLANCY

Phone 800.836.1885 Worldwide +1.315.451.3440 | Fax 877.836.1885 Worldwide +1.315.451.1766 | Web jrclancy.com
7041 Interstate Island Road | Syracuse | NY 13209-9713

GEARBOSS

Phone 800.493.6437 | email gearboss@wengercorp.com | Web gearboss.com | 555 Park Drive, PO Box 448 | Owatonna | MN 55060-0448