



Design, Manufacture And Installation Of Theatrical Equipment Worldwide

J.R. Clancy, Incorporated
7041 Interstate Island Road
Syracuse, New York USA 13209-9713

Telephone: (315) 451-3440
Facsimile: (315) 451-1766
www.jrclancy.com

ISO 9001 Certified

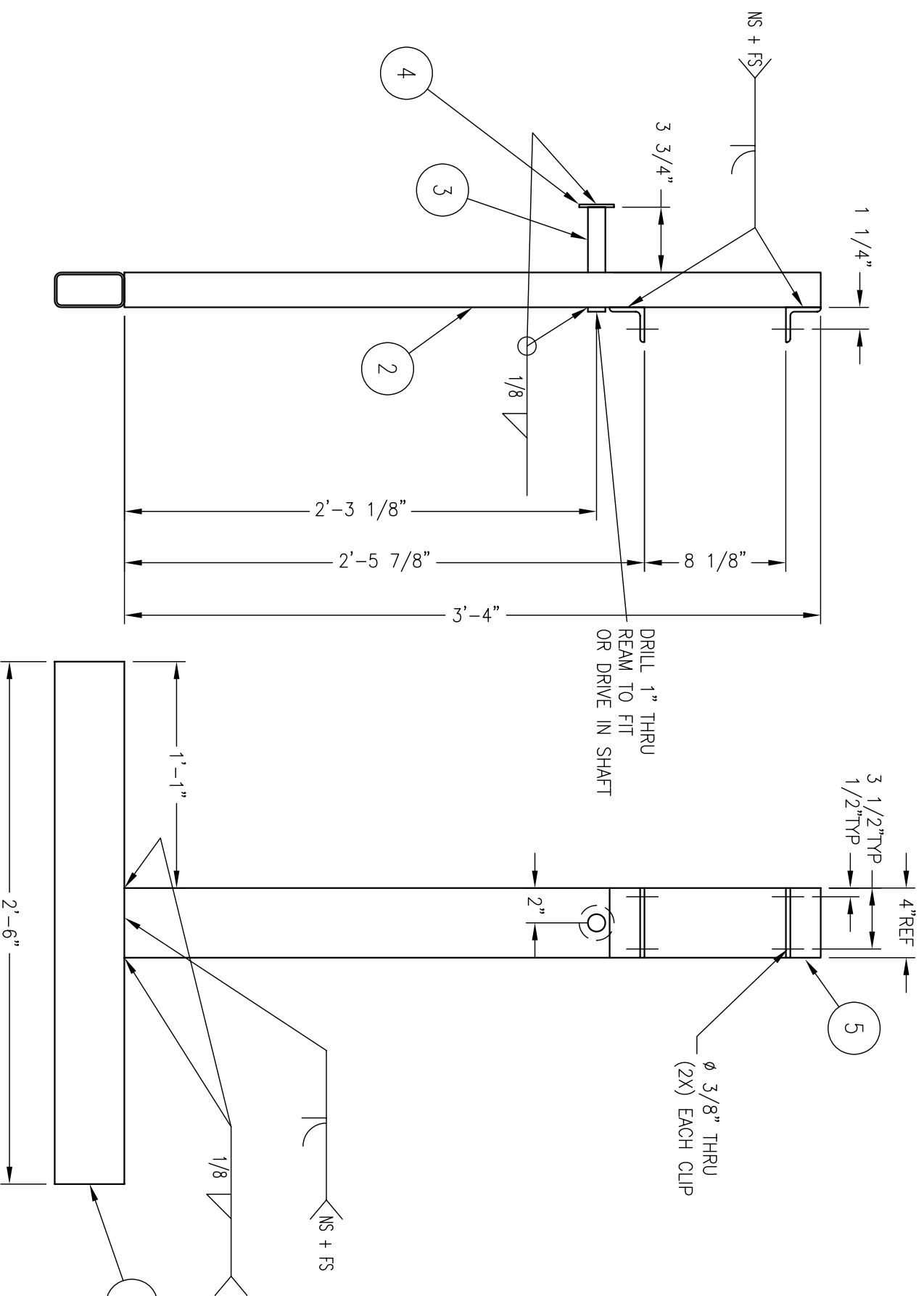
PowerLift® Installation Stand

Several Clancy installers have asked for a stand that will temporarily make a PowerLift a Free standing unit so it can be stored or moved. Here's a drawing of a stand we've used.

This can also be used to invert a PowerLift so it can be set "clamps down".

This drawing is provided for your use. You take all responsibility for the construction and use of this stand.

STANDARD TOLERANCES		MACHINING: 1/X .XX .XXX ANG.		WELDING: DIMENSION 0 @ 10' +		±1/16" ±1/8" ±1/2"	
UNLESS NOTED OTHERWISE		±1/64" ±.010" ±.003" ANG.		FINISH: TO BE SPECIFIED			
NUMBER	DATE	DRAWN	REVISIONS				
0		PVS	ISSUED FOR CONSTRUCTION				



NOTES
 1. FINISH FLAT BLACK ENAMEL
 2. SHAFT IS OPTIONAL. IT IS USED AS A RIGGING AND PIVOT POINT FOR INVERTING THE POWERLIFT

ITEM NUMBER	DETAIL SHEET	DESCRIPTION OR PART NUMBER	QUANTITY PER ASSEMBLY	TOTAL THIS SHEET
5		L2 X 2 X 1/4 ASTM A36 STEEL	2	
4		FLAT WASHER 3/4"	1	
3		SHAFT Ø1.000 ASI 1018 CFR STEEL 6" LONG	1	
2		HSS 4 X 2 X 0.120 ASTM A500 STEEL	1	
1		HSS 4 X 2 X 0.120 ASTM A500 STEEL	1	

PROCLANCY
 7041 Interstate Island Rd.
 Syracuse, N.Y. 13209
 (315) 451-3440
 (315) 451-1766 fax

SCALE 1 1/2" = 1'-0"
 DRAWN PVS
 DATE 24AUG05
 CHECKED

PROCLANCY 9001

DATE 213
 SHEET NO. 014-213