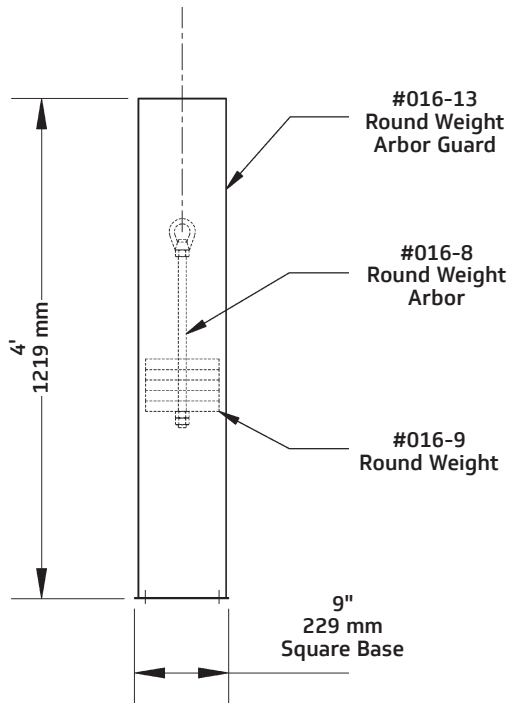


Round Weight Arbor Components

- Round weights are used to tension fire lines, dashpot cables, and overbalance clutch levers
- Round weight arbors hold 1 to 10 round weights
- An arbor guard is available
- Three-year warranty against defects in materials or workmanship is provided on all J.R. Clancy equipment, additional warranty information is available at jrclancy.com

Dimensions



Order Information

Number	Description	Weight
016-8	Round Weight Arbor	3 lb (1.36 kg)
016-9	Round Weight	5 lb (2.7 kg)
016-13	Round Weight Arbor Guard	15 lb (6.8 kg)

