

SceneControl™ Pendant Motion Control System

When you need accurate, repeatable positioning for battens that raise and lower equipment or curtains, you need the SceneControl Pendant controller. Set up to eight presets – soft upper, soft lower and six intermediate targets – and run your motorized hoist with the knowledge that it will always return to the right place.

Applications

Small venues with nominal controller needs such as Colleges and Universities, High Schools, Middle Schools, Houses of Worship

Features

- Up to 8 channels (axes)
- User ID and Password access to multiple security levels

Options

- Load Sensing

Specifications

- Up to 8 channels (axes)
- Illuminated GO button
- Metric and Imperial unit capable

Safety

- Emergency Stop Operator
- Hold-to-Run operation
- Multi-Level security
- Status/Alarm page

Monitors and Screens

- 240 x 180 Backlit graphic LCD display in a pendant

Dimensions

- 11.97" l x 6.29" w x 3.35" h (304 mm x 160 mm x 85 mm)



Warranty and Support

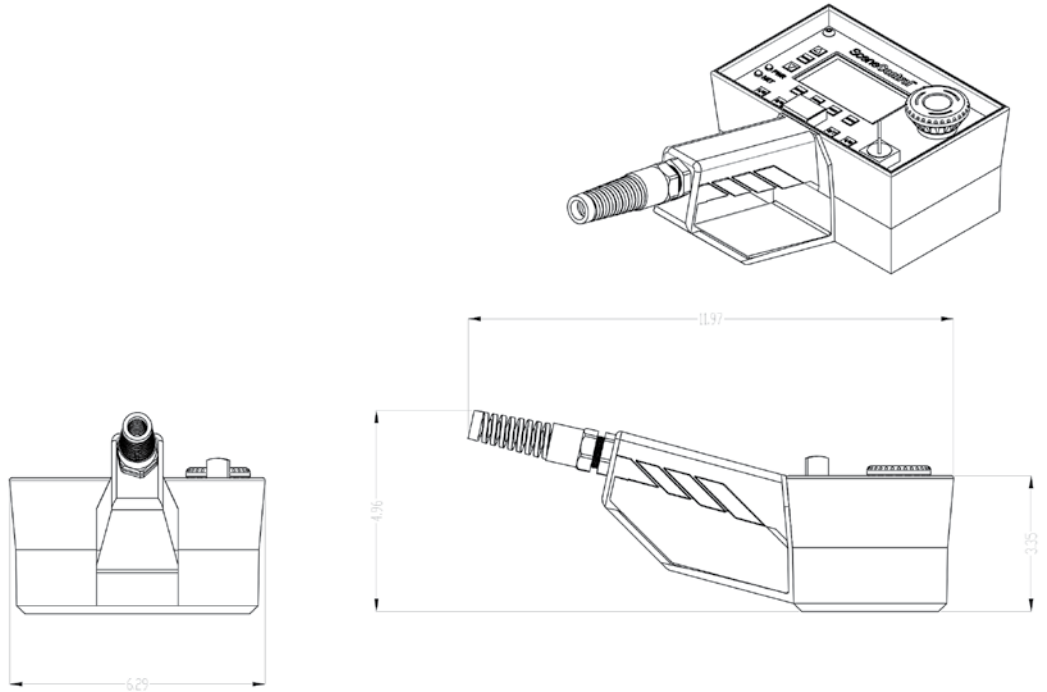
Three-Year Warranty against defects in materials or workmanship is provided on all J.R. Clancy equipment. Our warranty is contingent on operation by trained personnel and an annual equipment inspection of a J.R. Clancy authorized technician.

24/7 factory technical support with additional service and assistance provided by a worldwide network of J.R. Clancy authorized dealers.

Inspection and maintenance are available through J.R. Clancy's T.I.M.® (Train, Inspect, Maintain) Program. For more information call 1-800-836-1885 or email service@jrclancy.com.

Additional Information

Additional information on J.R. Clancy systems is available at www.jrclancy.com.



Order Information

Number	Description
064-SCP-1	SceneControl Pendant, 1 axis
064-SCP-4	SceneControl Pendant, 4 axes
064-SCP-8	SceneControl Pendant, 8 axes

Wenger

JRCLANCY

GEARBOSS

© 2018 Wenger Corporation
USA/2018-09/W



WENGER CORPORATION

Phone 800.4WENGER (493-6437) Worldwide +1.507.455.4100 | Parts & Service 800.887.7145 | Canada Office 800.268.0148 | wengercorp.com
555 Park Drive, PO Box 448 | Owatonna MN 55060-0448

JR CLANCY

Phone 800.836.1885 Worldwide +1.315.451.3440 | jrclancy.com | 7041 Interstate Island Road | Syracuse NY 13209-9713

GEARBOSS

Phone 800.493.6437 | email gearboss@wengercorp.com | gearboss.com | 555 Park Drive, PO Box 448 | Owatonna MN 55060-0448