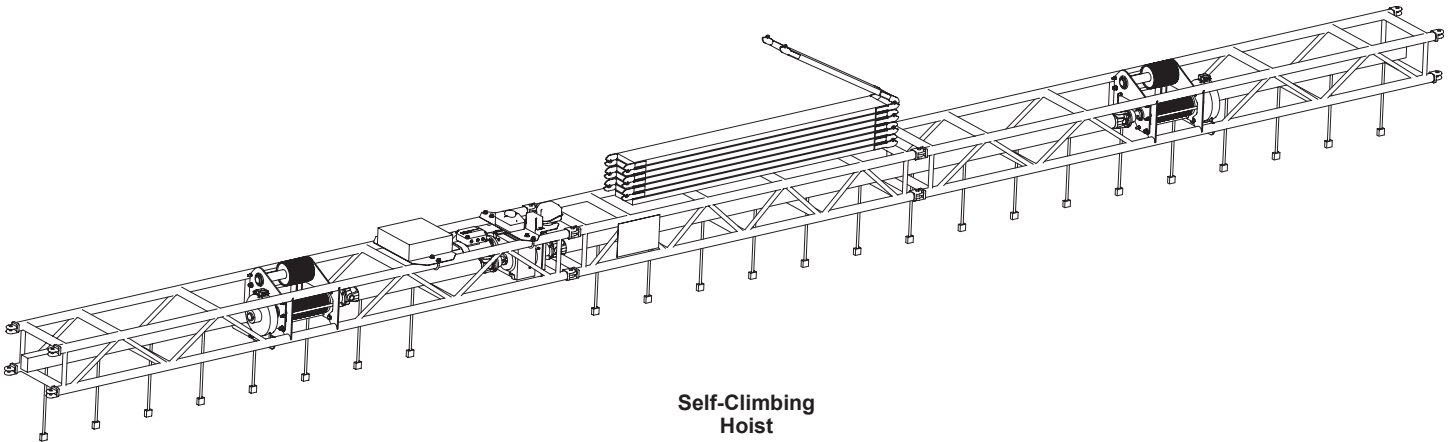


Self-Climbing Hoist

A self-contained hoist system that allows quick and easy installation without having full access to the ceiling/roof steel.

Features

- Length – Up to 50' (15 meters).
- Total Capacity – Up to 3000 lbs. (1360 kg).
- Live Load Capacity – Up to 1500 lbs. (680 kg).
 - Maximum distributed load on truss: 30 lbs. per foot (98 kg per meter).
 - Maximum point load at midpoint between lift lines: 200 lbs. (91 kg).
 - Maximum load on a single lift line: 500 lbs. (227 kg), 1000 lbs. (454 kg) per pair of lift lines.
 - Two drum assemblies (four lines) 36' max truss length (11 meters).
 - Three or four drum assemblies (6 or 8 lines): 50' max truss length (15 meters).
 - Maximum span between lift lines: 20' (6 meters).
- Speed – 20 ft/min (0.1 m/s).
- Travel – 35' (10.7 meters) standard.
- Truss Size – 12" x 18" (305 x 457 mm).
- Redundant Braking – Overspeed Brakes or Dual Motors.
- Electrical Distribution:
 - Up to twenty circuits with one pantograph.
 - Up to forty-five circuits with two pantographs.
 - DMX or CAT5.



Self-Climbing Hoist



© 2018 Wenger Corporation
USA/2018-01/W

