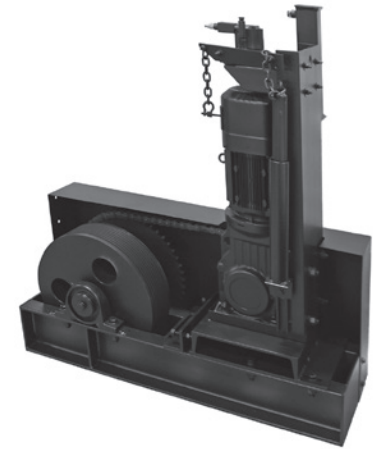
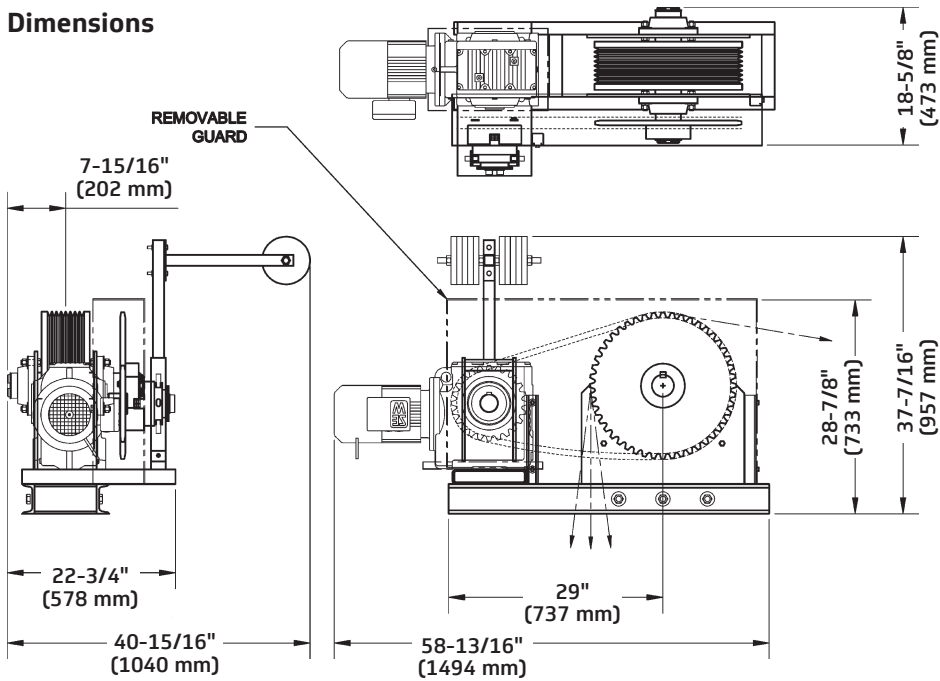


Traction Drive Hoist

- Used to motorize counterweighted straight lift fire curtains
- V-grooves in the head block drive the lift line cables to open and close the curtain during normal operation
- A clutch between the gearbox and the traction head block is held engaged by the fire line. When the fire line is released, the clutch is disengaged, allowing the head block to freewheel so that the curtain closes. The system must be curtain heavy
- A separate dashpot or speed regulator may be necessary for speed control
- Track-mounted limit switches limit the travel
- Operates on 208, 230, or 460 VAC 3 phase power; please confirm voltage at time of ordering
- Three-year warranty against defects in materials or workmanship is provided on all J.R. Clancy equipment, additional warranty information is available at jrclancy.com

Dimensions



Traction Drive Hoist

Order Information

Number	Description	RWL	Weight
016-2TW-2-L	Fire Curtain Traction Hoist 2000 lb (907 kg), 208V, Mounted Stage Left, 25 fpm (0.13 m/s)	2000 lb (907 kg)	1200 lb (544 kg)
016-2TW-2-R	Fire Curtain Traction Hoist 2000 lb (907 kg), 208V, Mounted Stage Right, 25 fpm (0.13 m/s)	2000 lb (907 kg)	1200 lb (544 kg)
016-2TW-3-L	Fire Curtain Traction Hoist 2000 lb (907 kg), 380-415V, Mounted Stage Left, 25 fpm (0.13 m/s)	2000 lb (907 kg)	1200 lb (544 kg)
016-2TW-3-R	Fire Curtain Traction Hoist 2000 lb (907 kg), 380-415V, Mounted Stage Right, 25 fpm (0.13 m/s)	2000 lb (907 kg)	1200 lb (544 kg)
016-2TW-4-L	Fire Curtain Traction Hoist 2000 lb (907 kg), 480V, Mounted Stage Left, 25 fpm (0.13 m/s)	2000 lb (907 kg)	1200 lb (544 kg)
016-2TW-4-R	Fire Curtain Traction Hoist 2000 lb (907 kg), 480V, Mounted Stage Right, 25 fpm (0.13 m/s)	2000 lb (907 kg)	1200 lb (544 kg)

RWL: RWL is maximum load that can be applied to the traction drive hoist which is in "like new" condition and has been properly installed, maintained, and operated.

