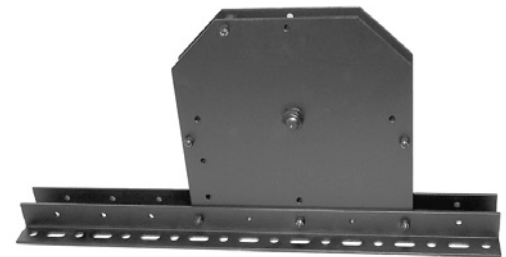
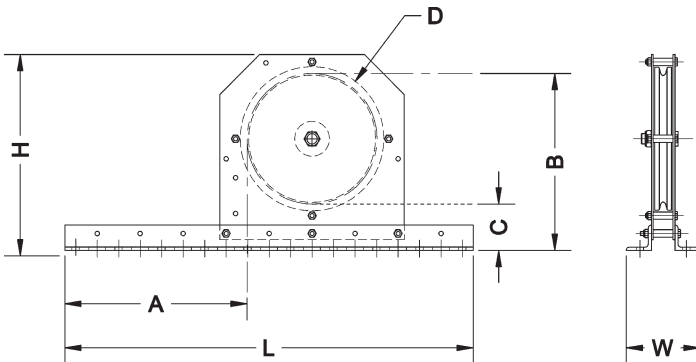


Universal Loft Blocks – 55/56/59 Series

- May be mounted upright or underhung
- May be supported by I-beams, grid wells, or Unistrut™
- Nylon or ASTM Class 30 grey iron sheaves
- 8" (203 mm) blocks have 24" (610 mm) base angles with a continuous pattern of holes and slots for universal mounting for a grip range up to 20" (508 mm); Multi-line block base angles have a series of mounting holes
- 8-Line blocks have the base angles turned in, requiring different upright and underhung models
- A clip package is available for single line blocks with a combination of J-bolts and clips for both underhung and upright mounting options
- Sealed precision ball bearings (Single line, 8" [203 mm] nominal sheave only) or tapered roller bearings
- Side plates fully enclose sheave
- Five spacers between the side plates, three of which prevent cables from escaping the sheave grooves
- Pivot adapters (070-PIVOT) are available for single line 8" (203 mm) blocks used in applications where the mounting surface is sloped
- Underhung loft blocks may need to be welded to loft beams after final alignment – consult the factory for specific information
- Three-year warranty against defects in materials or workmanship is provided on all J.R. Clancy equipment, additional warranty information is available at jrclancy.com

Dimensions



**Universal Loft Block
200-10856N25**

Nominal Sheave Diameter	Lines	Dim. L	Dim. H	Dim. W	Dim. A	Dim. B	Dim. C*	Dim. D Sheave Diameter	Sideplate
8" (203 mm)	1	24-3/8" (619 mm)	11-5/8" (295 mm)	4-3/8" (111 mm)	10-7/8" (276 mm)	10-1/2" (267 mm)	2-3/4" (70 mm)	8-9/16" (217 mm)	12 GA (3 mm)
8" (203 mm)	2	24-3/8" (619 mm)	11-5/8" (295 mm)	4-3/8" (111 mm)	10-7/8" (276 mm)	10-1/2" (267 mm)	2-3/4" (70 mm)	8-9/16" (217 mm)	12 GA (3 mm)
8" (203 mm)	4	21" (533 mm)	11-7/16" (291 mm)	5-1/2" (140 mm)	8-13/16" (224 mm)	10-1/8" (257 mm)	2-1/4" (57 mm)	8-1/2" (216 mm)	10 GA (3 mm)
8" (203 mm)	8	32"+ (813 mm)	11-7/16" (291 mm)	5-1/2" (140 mm)	8-13/16" (224 mm)	10-1/8" (257 mm)	2-1/4" (57 mm)	8-1/2" (217 mm)	10 GA (3 mm)
8" (203 mm)	10	32"+ (813 mm)	11-7/16" (290.5 mm)	6-3/16" (157 mm)	8-13/16" (224 mm)	10-1/8" (257 mm)	2-1/4" (57 mm)	8-1/2" (217 mm)	10 GA (3 mm)
12" (305 mm)	1	28" (711 mm)	15" (381 mm)	4-3/4" (121 mm)	12-3/8" (314 mm)	13-3/4" (349 mm)	2-3/8" (60 mm)	12" (305 mm)	10 GA (3 mm)
12" (305 mm)	2	28" (711 mm)	15" (381 mm)	4-3/4" (121 mm)	12-3/8" (314 mm)	13-3/4" (349 mm)	2-3/8" (60 mm)	12" (305 mm)	10 GA (3 mm)
12" (305 mm)	8	34" (864 mm)	15" (381 mm)	5-3/8" (137 mm)	13-5/16" (338 mm)	13-11/16" (348 mm)	2-5/16" (75 mm)	12" (305 mm)	10 GA (3 mm)
16" (406 mm)	1	26" (660 mm)	19" (483 mm)	5-1/4" (133 mm)	22-3/4" (578 mm)	17-3/4" (451 mm)	2-1/8" (54 mm)	16" (406 mm)	7 GA (5 mm)

*Dimension to cable C/L when block is used in underhung application.
+32" (813 mm) for upright 21" (533 mm) for underhung

Order Information

Sheave Diameter	Lines	Bearings	Cast Iron Product Code	RWL	Weight	Nylon Product Code	RWL	Weight
Cable Blocks (1/4" [6 mm] cable)								
8-1/2" (216 mm)	1	17 mm BB	200-10855C25	500 lb (227 kg)	20 lb (9 kg)	200-10856N25	750 lb (340 kg)	15 lb (6.8 kg)
8-1/2" (216 mm)	2	17 mm BB	200-20855C25	700 lb (317 kg)	20 lb (9 kg)	200-20855N25	750 lb (340 kg)	16 lb (7.25 kg)
8-1/2" (216 mm)	1	17 mm TRB	200-10855C25T	500 lb (227 kg)	20 lb (9 kg)	200-10856N25T	750 lb (340 kg)	15 lb (6.8 kg)
8-1/2" (216 mm)	2	17 mm TRB	200-20855C25T	700 lb (317 kg)	20 lb (9 kg)	200-20855N25T	750 lb (340 kg)	16 lb (7.25 kg)
8-1/2" (216 mm)	4	1" TRB (25 mm)	200-40855C25	1300 lb (590 kg)	40 lb (18 kg)	200-40855N25	1300 lb (590 kg)	31 lb (14 kg)
8-1/2" Upright (216 mm)	8	1" TRB (25 mm)	200-80855C25	1300 lb (590 kg)	52 lb (23.5 kg)	200-80855N25	1300 lb (590 kg)	32 lb (14.5 kg)
8-1/2" Underhung (216 mm)	8	1" TRB (25 mm)	200-80859C25	1300 lb (590 kg)	52 lb (23.5 kg)	200-80859N25	1300 lb (590 kg)	32 lb (14.5 kg)
8-1/2" Upright (216 mm)	10	1" TRB (25 mm)	200-10855C25	1300 lb (590 kg)	55 lb (25 kg)	-	-	-
8-1/2" Underhung (216 mm)	10	1" TRB (25 mm)	200-10859C25	1300 lb (590 kg)	55 lb (25 kg)	-	-	-
12"* (305 mm)	1	1" TRB (25 mm)	200-11255C25	700 lb (317 kg)	50 lb (22.7 kg)	-	-	-
12" (305 mm)	2	1" TRB (25 mm)	200-21255	1400 lb (634 kg)	50 lb (22.7 kg)	-	-	-
12" Upright (305 mm)	8	1" TRB (25 mm)	200-81255C25	3000 lb (1361 kg)	74 lb (33.5 kg)	-	-	-
12" Underhung (305 mm)	8	1" TRB (25 mm)	200-81259C25	2500 lb (1134 kg)	74 lb (33.5 kg)	-	-	-
16"+ (406 mm)	1	1" TRB (25 mm)	200-11655S38	1400 lb (634 kg)	110 lb (50 kg)	-	-	-
Cable Blocks (3/16" [5 mm] cable)								
8-1/2" (216 mm)	1	17 mm BB	-	-	-	200-10855N19	500 lb (227 kg)	15 lb (6.8 kg)
8-1/2" (216 mm)	1	17 mm TRB	-	-	-	200-10855N19T	500 lb (227 kg)	15 lb (6.8 kg)
8-1/2" (216 mm)	8	1" TRB (25 mm)	-	-	-	200-80855N19	1300 lb (590 kg)	28 lb (12.7 kg)
8-1/2" (216 mm)	8	1" TRB (25 mm)	-	-	-	200-80859N19	1300 lb (590 kg)	28 lb (12.7 kg)
Rope Blocks (3/4" [19 mm] rope)								
8" (203 mm)	1	17 mm BB	200-10855C75	300 lb (136 kg)	20 lb (9 kg)	200-10855N75	300 lb (136 kg)	15 lb (6.8 kg)
8" (203 mm)	1	17 mm TRB	200-10855C75T	300 lb (136 kg)	20 lb (9 kg)	200-10855N75T	300 lb (136 kg)	15 lb (6.8 kg)
<p>*Available for 1/4" (6 mm) or 3/8" (10 mm) cable, specify. RWL for 1/4" (6 mm) groove 700 lb (317 kg), for 3/8" (10 mm) groove 1050 lb (476 kg). +Steel sheave, available for 3/8" (10 mm) or 1/2" (13 mm) cable, specify.</p> <p>RWL: RWL is maximum load that can be applied to a block which is in "like new" condition and has been properly installed, maintained, and operated.</p>								



© 2024 Wenger Corporation
USA/2024-03

Minnesota Location

Wenger Phone 800.4WENGER (493-6437) Wenger Worldwide +1.507.455.4100 | Parts & Service 800.887.7145 | wengercorp.com
 GearBoss Phone 800.493.6437 | gearboss.com
 555 Park Drive, PO Box 448 | Owatonna | MN 55060

New York Location

J.R. Clancy Phone 800.836.1885 JR Clancy Worldwide +1.315.451.3440 | jrclancy.com | 7041 Interstate Island Road | Syracuse | NY 13209